

Features

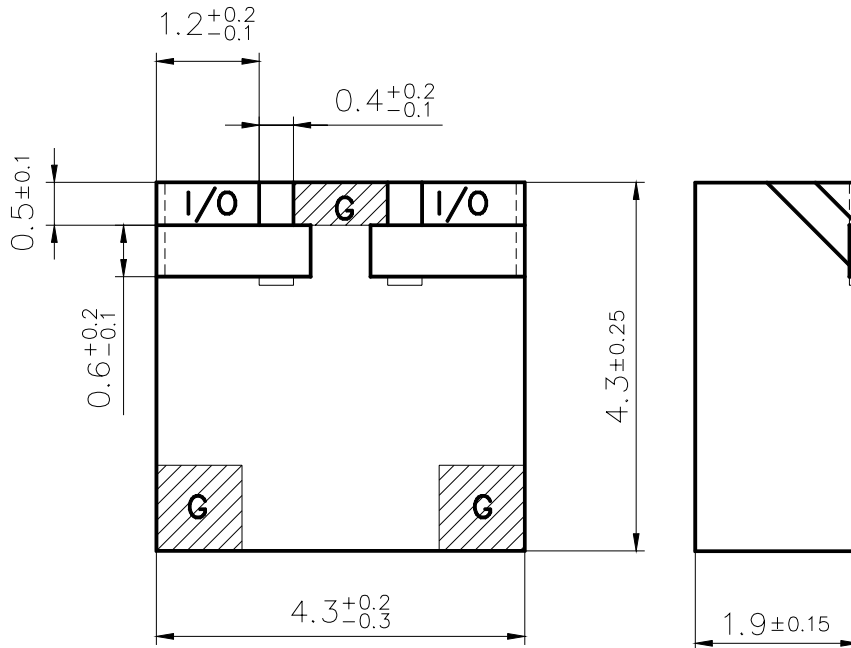
- SMD filter consisting of coupled resonators with stepped impedances
- $(\text{NdBa})\text{TiO}_3$ ($\epsilon_r = 88$ / $TC_f = 0 \pm 10$ ppm/K) with a coating of copper ($10\mu\text{m}$) and tin ($>5\mu\text{m}$)
- Excellent reflow solderability, no migration effect due to copper/tin metallization

Index

- | | |
|--------|---|
| Page 2 | <ul style="list-style-type: none"> ● Component drawing ● Recommended footprint |
| Page 3 | <ul style="list-style-type: none"> ● Characteristics ● Maximum ratings ● Typical passband characteristic |
| Page 4 | <ul style="list-style-type: none"> ● Processing information ● Soldering requirements ● Delivery mode |

ISSUE DATE	30.05.03	ISSUE	P2	PUBLISHER	SAW MWC PD F	PAGE	1/4
------------	----------	-------	----	-----------	--------------	------	-----

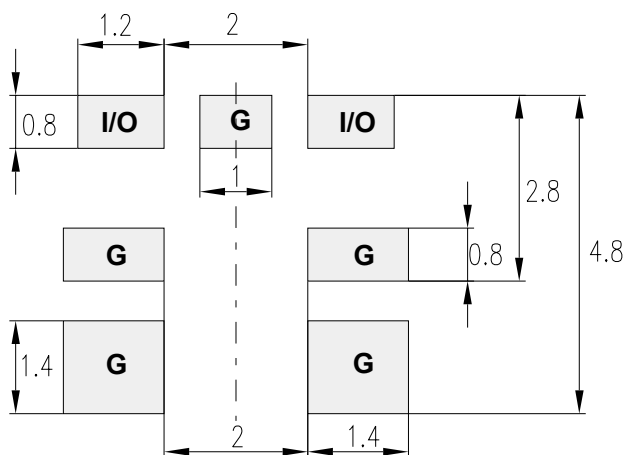
Component drawing



View from below onto the solder terminals and view from beside

S3P251.DOC

Recommended footprint



FPS3P251.DOC

Characteristics

ISSUE DATE	30.05.03	ISSUE	P2	PUBLISHER	SAW MWC PD F	PAGE	2/4
------------	----------	-------	----	-----------	--------------	------	-----

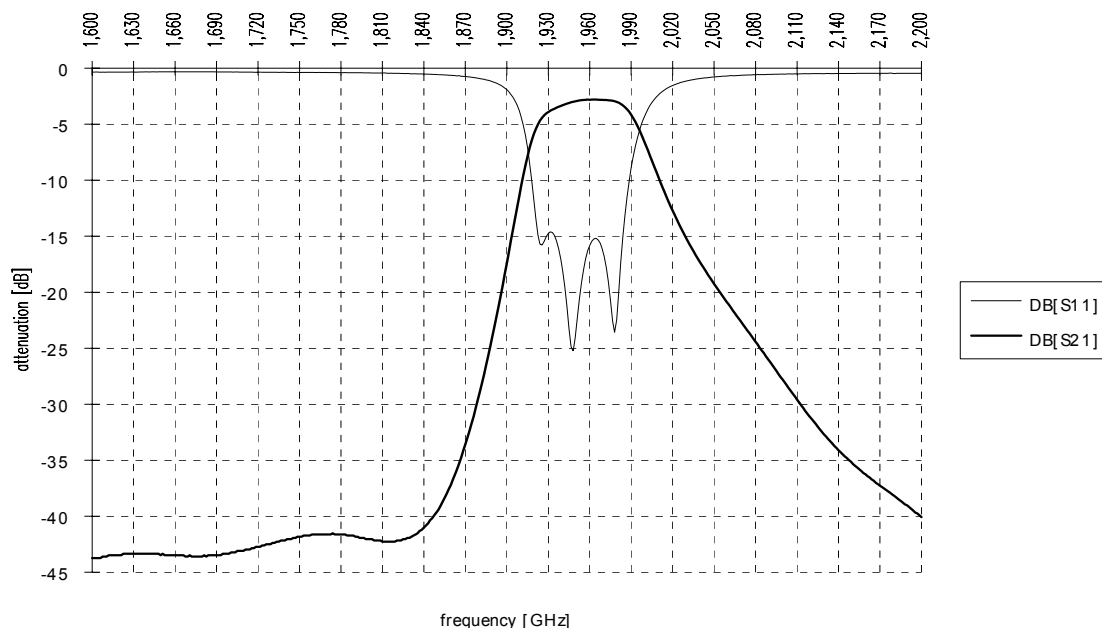
Preliminary datasheet

		min.	typ.	max.	
Center frequency	f_c	-	1960	-	MHz
Insertion loss	α_{IL}		3.4	3.7	dB
Passband	B	60			MHz
Amplitude ripple (peak - peak)	$\Delta\alpha$		1.2	1.5	dB
Standing wave ratio	SWR		1.6	2.2	
Impedance	Z		50		Ω
Attenuation					
	at DC to 1800 MHz	35	40		dB
	at 1910 MHz	10	11		dB
	at 2010 MHz	9.0	9.5		dB

Maximum ratings

IEC climatic category (IEC 68-1)		- 40/+ 90/56	
Operating temperature	T_{Op}	- 20 / + 75	°C

Typical passband characteristic



S3P2512_2-DOC

Processing information

ZNr.: 600 (FILT95_2)

ISSUE DATE	30.05.03	ISSUE	P2	PUBLISHER	SAW MWC PD F	PAGE	3/4
------------	----------	-------	----	-----------	--------------	------	-----

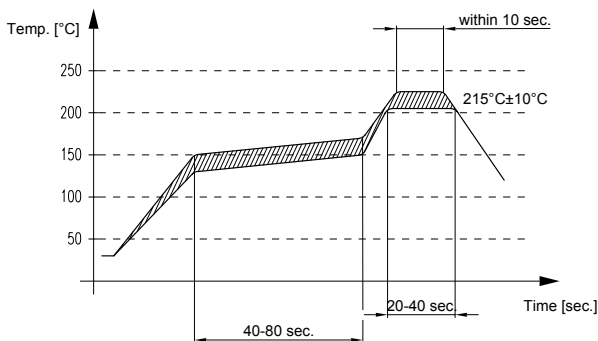
Preliminary datasheet

- Wettability to IEC 68-2-58: $\geq 75\%$ (after aging)

Soldering requirements

Soldering type	reflow	
Maximum soldering temperature (measuring point on top surface of the component)	235 (max. 2 sec.) 225 (max. 10 sec.)	°C °C

Recommended soldering conditions (infrared):

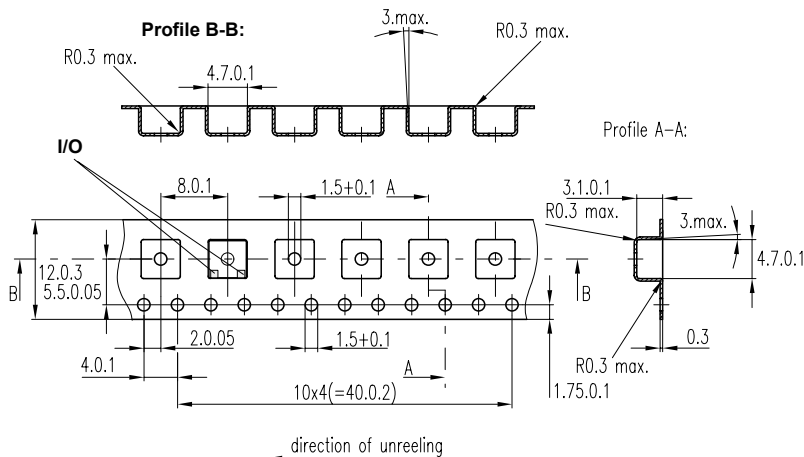


LOETPROF.DOC

Delivery mode

- Blister tape to IEC 286-3, PS , grey
- Pieces/tape: 3000

Reel: diameter - 330 mm



TAPS3P2.DOC

© EPCOS AG 2001. All Rights Reserved. Reproduction, publication and dissemination of this data sheet, enclosures hereto and the information contained therein without EPCOS' prior express consent is prohibited.

The information contained in this data sheet describes the type of component and shall not be considered as guaranteed characteristics. Purchase orders are subject to the General Conditions for the Supply of Products and Services of the Electrical and Electronics Industry recommended by the ZVEI (German Electrical and Electronic Manufacturers' Association), unless otherwise agreed.

ISSUE DATE	30.05.03	ISSUE	P2	PUBLISHER	SAW MWC PD F	PAGE	4/4
------------	----------	-------	----	-----------	--------------	------	-----