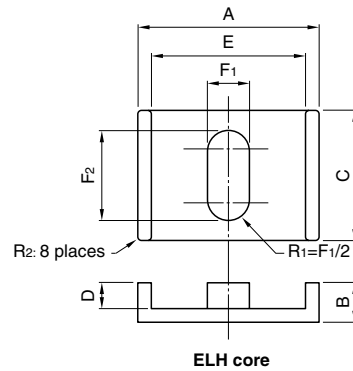
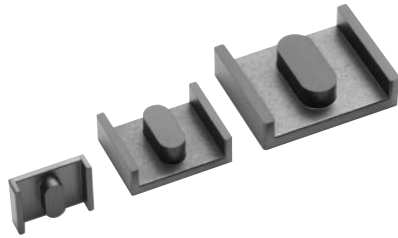


EL CORES



Part No. (ELH+ELH)	Dimensions in							
	mm		inches					
	A	B	C	D	E	F1	F2	R2
PC44EL11X4-Z								
PC47EL11X4-Z								
PC95EL11X4-Z	11.00±0.20	2.01±0.10	8.80±0.20	1.00±0.10	9.17±0.20	2.78±0.10	6.40±0.15	0.30
PC50EL11X4-Z	.433±.008	.079±.004	.346±.008	.039±.004	.361±.008	.109±.004	.252±.006	.012
PC33EL11X4-Z								
PC44EL13X4.4-Z								
PC47EL13X4.4-Z								
PC95EL13X4.4-Z	13.00±0.25	2.19±0.10	10.40±0.20	1.00±0.10	10.83±0.20	3.29±0.10	7.56±0.15	0.30
PC50EL13X4.4-Z	.512±.010	.086±.004	.409±.008	.039±.004	.426±.008	.130±.004	.298±.006	.012
PC33EL13X4.4-Z								
PC44EL15.5X5.8-Z								
PC47EL15.5X5.8-Z								
PC95EL15.5X5.8-Z	15.50±0.30	2.92±0.10	12.40±0.25	1.50±0.10	12.92±0.25	3.92±0.10	9.01±0.20	0.30
PC50EL15.5X5.8-Z	.610±.012	.115±.004	.488±.010	.059±.004	.509±.010	.154±.004	.355±.008	.012
PC33EL15.5X5.8-Z								
PC44EL18X7.3-Z								
PC47EL18X7.3-Z								
PC95EL18X7.3-Z	18.00±0.30	3.65±0.10	14.40±0.25	2.00±0.10	15.00±0.30	4.55±0.10	10.47±0.20	0.30
PC50EL18X7.3-Z	.709±.012	.144±.004	.567±.010	.079±.004	.591±.012	.179±.004	.412±.008	.012
PC33EL18X7.3-Z								

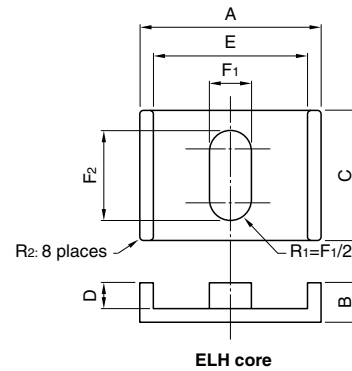
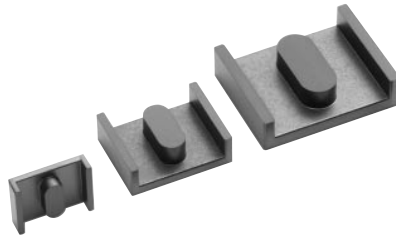
Part No. (ELH+ELH)	Effective parameter							Electrical characteristics	
	C ₁	ℓ _e	A _e	V _e	A _{min.}	A _{cw}	Wt	AL-value (nH/N ²)*	
	(mm ⁻¹)	(mm)	(mm ²)	(mm ³)	(mm ²)	(mm ²)	(g)	Without air gap	With air gap
PC44EL11X4-Z								2040±25%	
PC47EL11X4-Z								2040±25%	50±3%
PC95EL11X4-Z	0.826	13.7	16.5	226	15.9	6.39	1.3	2400±25%	80±5%
PC50EL11X4-Z								1470±25%	125±7%
PC33EL11X4-Z								1470±25%	530±15%**
PC44EL13X4.4-Z								2670±25%	
PC47EL13X4.4-Z								2670±25%	63±3%
PC95EL13X4.4-Z	0.667	15.4	23.1	357	22.4	7.54	2.0	3160±25%	100±5%
PC50EL13X4.4-Z								1890±25%	160±7%
PC33EL13X4.4-Z								1890±25%	720±15%**
PC44EL15.5X5.8-Z								3080±25%	
PC47EL15.5X5.8-Z								3080±25%	63±3%
PC95EL15.5X5.8-Z	0.597	19.6	32.9	646	31.9	13.5	3.5	3680±25%	100±3%
PC50EL15.5X5.8-Z								2250±25%	160±5%
PC33EL15.5X5.8-Z								2250±25%	990±15%**
PC44EL18X7.3-Z								3800±25%	
PC47EL18X7.3-Z								3800±25%	80±3%
PC95EL18X7.3-Z	0.538	23.8	44.3	1050	43.0	20.9	6.0	4760±25%	125±3%
PC50EL18X7.3-Z								2400±25%	200±5%
PC33EL18X7.3-Z								2400±25%	1280±15%**

* AL-value: 1kHz, 0.5mA, 100Ts

** Only PC95 material

• All specifications are subject to change without notice.

EL CORES



Part No. (ELH+ELH)	Dimensions in							
	mm		inches					
	A	B	C	D	E	F1	F2	R2
PC44EL20X7.7-Z								
PC47EL20X7.7-Z								
PC95EL20X7.7-Z	20.00±0.35	3.83±0.10	16.00±0.30	2.00±0.10	16.67±0.30	5.06±0.15	11.63±0.20	0.50
PC50EL20X7.7-Z	.787±.014	.151±.004	.630±.012	.079±.004	.656±.012	.199±.006	.458±.008	.020
PC33EL20X7.7-Z								
PC44EL22X8-Z								
PC47EL22X8-Z								
PC95EL22X8-Z	22.00±0.40	4.02±0.10	17.60±0.30	2.00±0.10	18.33±0.35	5.56±0.15	12.79±0.25	0.50
PC50EL22X8-Z	.866±.016	.158±.004	.693±.012	.079±.004	.722±.014	.219±.006	.504±.010	.020
PC33EL22X8-Z								
PC44EL25X8.6-Z								
PC47EL25X8.6-Z								
PC95EL25X8.6-Z	25.00±0.45	4.29±0.10	20.00±0.35	2.00±0.10	20.83±0.35	6.32±0.15	14.54±0.25	0.50
PC50EL25X8.6-Z	.984±.018	.169±.004	.787±.014	.079±.004	.820±.014	.249±.006	.572±.010	.020
PC33EL25X8.6-Z								

Part No. (ELH+ELH)	Effective parameter							Electrical characteristics	
	C ₁	ℓ _e	A _e	V _e	A _{min.}	A _{cw}	Wt	AL-value (nH/N ²)*	
	(mm ⁻¹)	(mm)	(mm ²)	(mm ³)	(mm ²)	(mm ²)	(g)	Without air gap	With air gap
PC44EL20X7.7-Z								4340±25%	
PC47EL20X7.7-Z								4340±25%	80±3%
PC95EL20X7.7-Z	0.469	25.6	54.6	1400	52.9	23.2	7.8	5630±25%	125±3%
PC50EL20X7.7-Z								2800±25%	200±5%
PC33EL20X7.7-Z								2800±25%	1560±15%**
PC44EL22X8-Z								5280±25%	
PC47EL22X8-Z								5280±25%	100±3%
PC95EL22X8-Z	0.413	27.3	66.2	1810	64.2	25.5	10	6540±25%	160±3%
PC50EL22X8-Z								3240±25%	250±5%
PC33EL22X8-Z								3240±25%	1850±15%**
PC44EL25X8.6-Z								6110±25%	
PC47EL25X8.6-Z								6110±25%	100±3%
PC95EL25X8.6-Z	0.350	30.0	85.6	2570	83.0	29.0	15	7540±25%	160±3%
PC50EL25X8.6-Z								4090±25%	250±5%
PC33EL25X8.6-Z								4090±25%	2350±15%**

* AL-value: 1kHz, 0.5mA, 100Ts

** Only PC95 material