

- In accordance with IEC 61246
- E cores are supplied as single units

Magnetic characteristics (per set)

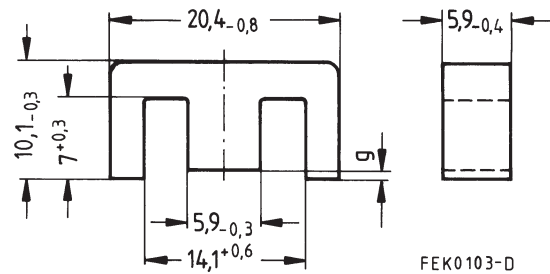
$$\Sigma/A = 1,44 \text{ mm}^{-1}$$

$$l_e = 46,3 \text{ mm}$$

$$A_e = 32,1 \text{ mm}^2$$

$$A_{\min} = 31,9 \text{ mm}^2$$

$$V_e = 1490 \text{ mm}^3$$


Approx. weight 7,3 g/set

Ungapped

Material	A_L value nH	μ_e	$A_{L1\min}$ nH	P_V W/set	Ordering code
N30	2150 + 30/- 20 %	2460			B66311-G-X130
N27	1300 + 30/- 20 %	1490	1090	< 0,27 (200 mT, 25 kHz, 100 °C)	B66311-G-X127
N87	1470 + 30/- 20 %	1680	1090	< 0,75 (200 mT, 100 kHz, 100 °C)	B66311-G-X187

Gapped

Material	g mm	A_L value approx. nH	μ_e	Ordering code ** = 27 (N27) = 87 (N87)
N27,	0,09 ± 0,01	363	415	B66311-G90-X1**
N87	0,17 ± 0,02	227	259	B66311-G170-X1**
	0,25 ± 0,02	171	195	B66311-G250-X1**
	0,50 ± 0,05	103	118	B66311-G500-X1**

The A_L value in the table applies to a core set comprising one ungapped core (dimension $g = 0$) and one gapped core (dimension $g > 0$).

Calculation factors (for formulas, see “*E cores: general information*”, page 382)

Material	Relationship between air gap – A_L value		Calculation of saturation current			
	$K1$ (25 °C)	$K2$ (25 °C)	$K3$ (25 °C)	$K4$ (25 °C)	$K3$ (100 °C)	$K4$ (100 °C)
N27	61,6	– 0,737	88,1	– 0,847	80,9	– 0,865
N87	61,6	– 0,737	88,5	– 0,796	78,4	– 0,873

Validity range: $K1, K2$: 0,05 mm < s < 1,50 mm
 $K3, K4$: 50 nH < A_L < 430 nH

Coil former (magnetic axis horizontal or vertical)

Material: GFR polyterephthalate (UL 94 V-0, insulation class to IEC 60085:

F \triangleq max. operating temperature 155 °C), color code black

Solderability: to IEC 60068-2-20, test Ta, method 1 (aging 3): 235 °C, 2 s

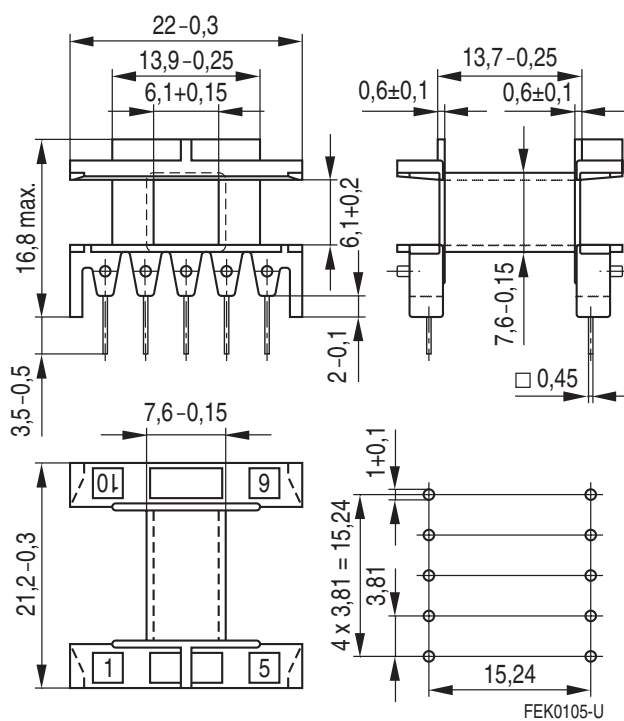
Resistance to soldering heat: to IEC 60068-2-20, test Tb, method 1B: 350 °C, 3,5 s

Winding: see "Processing Notes", page 159

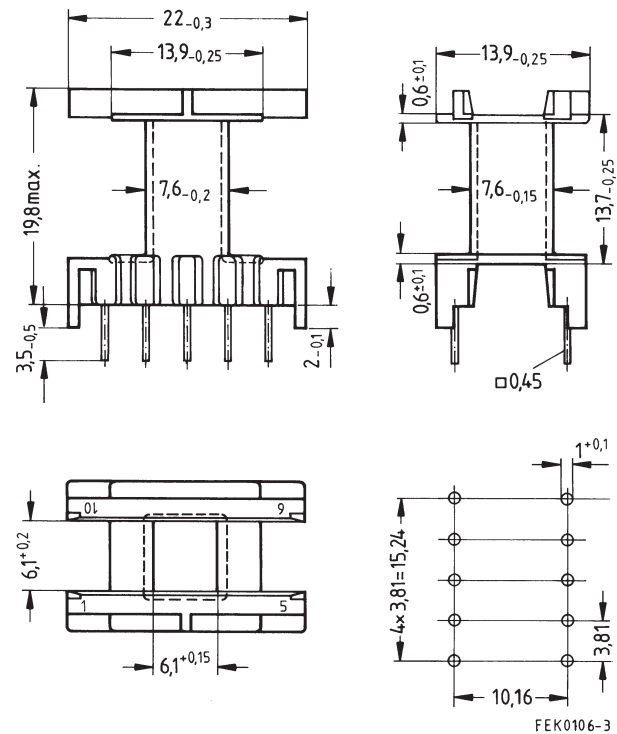
Squared pins

For matching yoke see next page

Figure	Sections	A_N mm ²	l_N mm	A_R value $\mu\Omega$	Pins	Ordering code
1	1	34	41,2	42	10	B66206-A1110-T1
2	1	34	41,2	42	10	B66206-J1110-T1

Figure 1, horizontal version


Hole arrangement
View in mounting
direction

Figure 2, vertical version


Hole arrangement
View in mounting
direction

Coil former (with right-angle pins)

Material: GFR polyterephthalate (UL 94 V-0, insulation class to IEC 60085:

F \triangleq max. operating temperature 155 °C), color code black

Solderability: to IEC 60068-2-20, test Ta, method 1 (aging 3): 235°C, 2 s

Resistance to soldering heat: to IEC 60068-2-20, test Tb, method 1B: 350 °C, 3,5 s

Winding: see "Processing Notes", page 159

Squared pins

Yoke

Material: Stainless spring steel (0,2 mm)

Coil former						Ordering code
Figure	Sections	A_N mm ²	l_N mm	A_R value $\mu\Omega$	Pins	
1	1	34	41,2	42	12	B66206-C1012-T1
2	1	34	41,2	42	14	B66206-C1014-T1
3	Yoke (ordering code per piece, 2 are required)					B66206-A2010

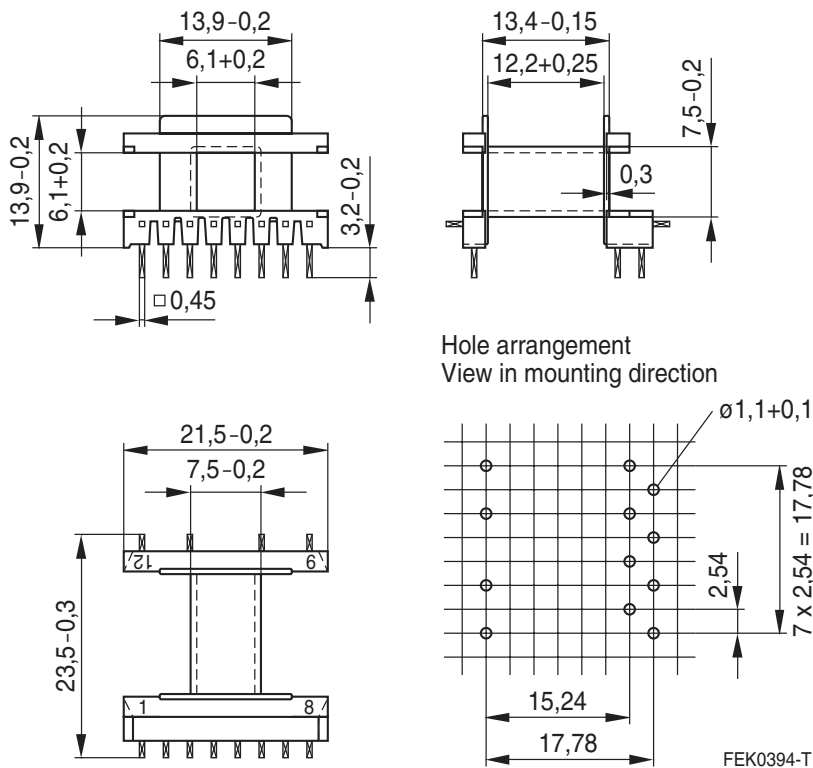
Figure 1, coil former (12 pins)


Figure 2, coil former (14 pins)

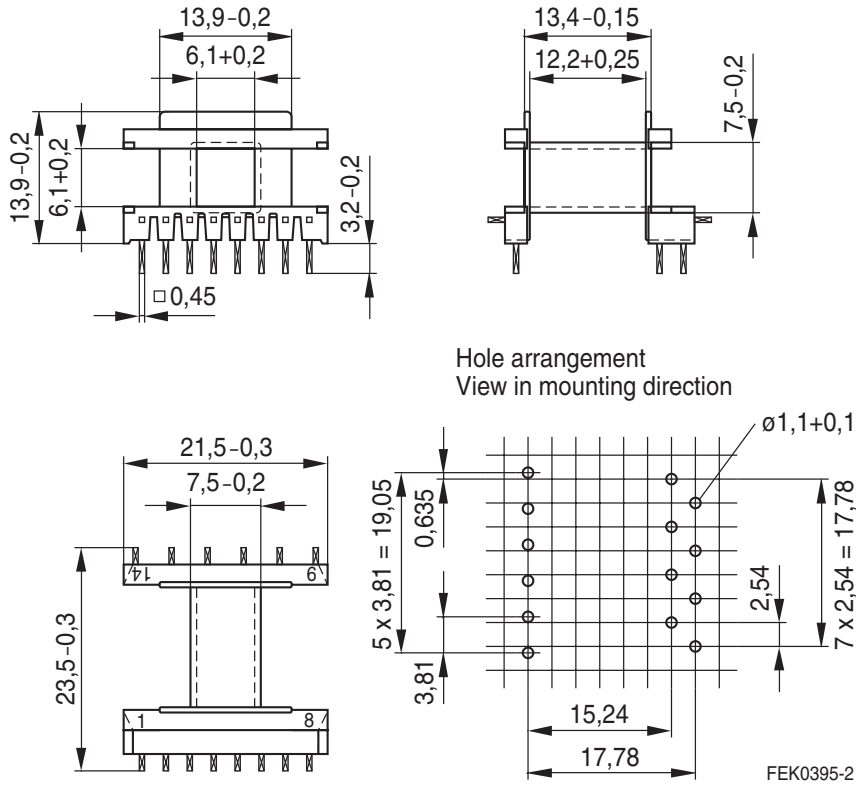
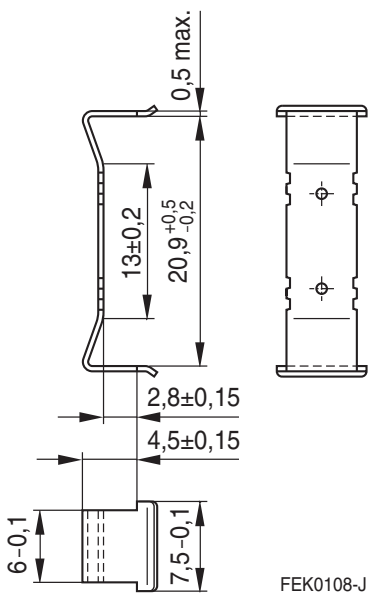


Figure 3, Yoke



Coil former for luminaires

■ Also to be used without clamps

Material: GFR polyterephthalate (UL 94 V-0, insulation class to IEC 60085:
F \triangleq max. operating temperature 155 °C), color code black

Solderability: to IEC 60068-2-20, test Ta, method 1 (aging 3): 235°C, 2 s

Resistance to soldering heat: to IEC 60068-2-20, test Tb, method 1B: 350 °C, 3,5 s

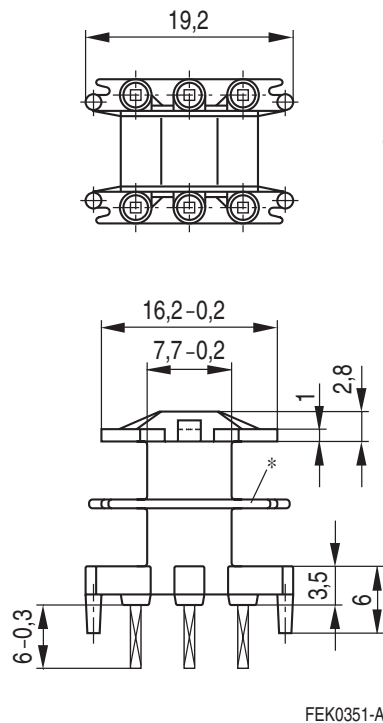
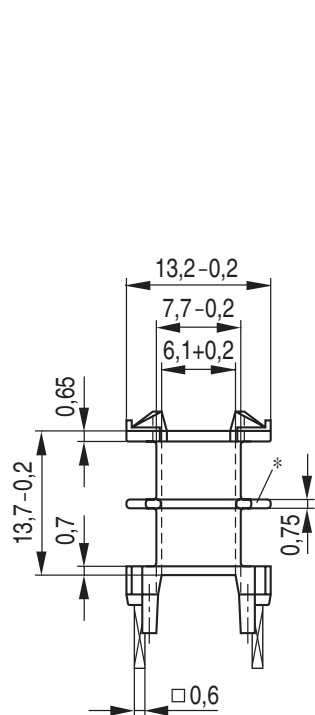
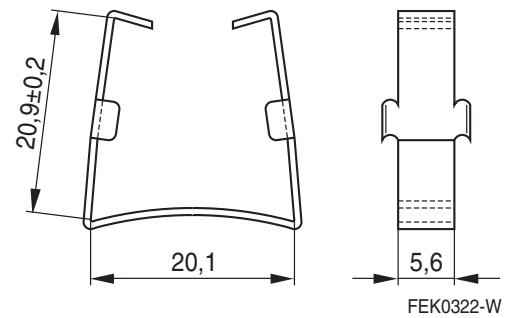
Winding: see "Processing Notes", page 159

Squared pins

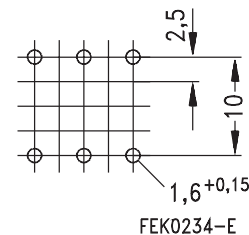
Yoke

Material: Nickel silver (0,3 mm)

Sections	A_N mm ²	l_N mm	A_R value $\mu\Omega$	Pins	Ordering code
1	32,7	42,3	44,5	6	B66206-J1106-T1
2	30,7	42,3	34,4	6	B66206-J1106-T2
Yoke					B66206-A2001

Coil former

Yoke


Hole arrangement
View in mounting direction



* Omitted for one-section version. Where nothing is specified the tolerances are $\pm 0,1$ mm.

Herausgegeben von EPCOS AG

Marketing Kommunikation, Postfach 80 17 09, 81617 München, DEUTSCHLAND

© EPCOS AG 2000. Alle Rechte vorbehalten. Vervielfältigung, Veröffentlichung, Verbreitung und Verwertung dieser Broschüre und ihres Inhalts ohne ausdrückliche Genehmigung der EPCOS AG nicht gestattet.

Mit den Angaben in dieser Broschüre werden die Bauelemente spezifiziert, keine Eigenschaften zugesichert. Bestellungen unterliegen den vom ZVEI empfohlenen Allgemeinen Lieferbedingungen für Erzeugnisse und Leistungen der Elektroindustrie, soweit nichts anderes vereinbart wird.

Diese Broschüre ersetzt die vorige Ausgabe.

Fragen über Technik, Preise und Liefermöglichkeiten richten Sie bitte an den Ihnen nächstgelegenen Vertrieb der EPCOS AG oder an unsere Vertriebsgesellschaften im Ausland.

Bauelemente können aufgrund technischer Erfordernisse Gefahrstoffe enthalten. Auskünfte darüber bitten wir unter Angabe des betreffenden Typs ebenfalls über die zuständige Vertriebsgesellschaft einzuholen.

Published by EPCOS AG

Marketing Communications, P.O. Box 80 17 09, 81617 Munich, GERMANY

© EPCOS AG 2000. All Rights Reserved. Reproduction, publication and dissemination of this brochure and the information contained therein without EPCOS' prior express consent is prohibited.

The information contained in this brochure describes the type of component and shall not be considered as guaranteed characteristics. Purchase orders are subject to the General Conditions for the Supply of Products and Services of the Electrical and Electronics Industry recommended by the ZVEI (German Electrical and Electronic Manufacturers' Association), unless otherwise agreed.

This brochure replaces the previous edition.

For questions on technology, prices and delivery please contact the Sales Offices of EPCOS AG or the international Representatives.

Due to technical requirements components may contain dangerous substances. For information on the type in question please also contact one of our Sales Offices.