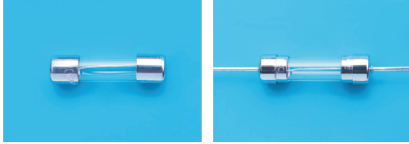


5MTD0808



Electrical Characteristics (ULICSA STD. 248-14)

Testing current	Blow Time	
	Minimum	Maximum
100%	4 Hrs.	N/A
135%	N/A	1 Hr
200%	N/A	15 Sec
1000%	10 mSec	N/A

Approvals



Safety Agency Approvals	Type	Amp range / Volt @ 1.R.ability
<ul style="list-style-type: none"> UL_{us} Listed File No. E20624 SP Certified File No. LR39772 	5MT / 5MTP	100mA - 800mA / 250V AC@ 35A 1A - 3A / 250V AC@ 100A 100mA - 5A / 125V AC@ 10,000A
<ul style="list-style-type: none"> File No. JET1037-31003-1001, JET1037-31003-1003 File No. JET1037-31003-1002 	5MT / 5MTP	1A - 5A / 125V AC@ 500A >5A - 15A / 125V AC@ 300A

RoHS 6 Compliant Product

Operating Temperature

-55°C to +125°C

Physical Specification

Materials

Glass body / Nickel Plated Brass Caps
Lead wire :
Matte Tin Plated Copper;
Diameter 0.032", 5A and less
Diameter 0.040", 6A and above

Marking:

On fuse:
"bel", "5MT", "Current Rating", "Voltage Rating",
"Appropriate Safety Logos", "✓" (RoHS 6 compliant)
On label:
"bel", "5MT" or "5MTP", "Current Rating", "Voltage Rating",
"Interrupting Rating", "Appropriate Safety Logos" and "M", "e" (China RoHS compliant)
Voltage on fuse:
250V for 100mA to 3A; 125V for rating above 3A

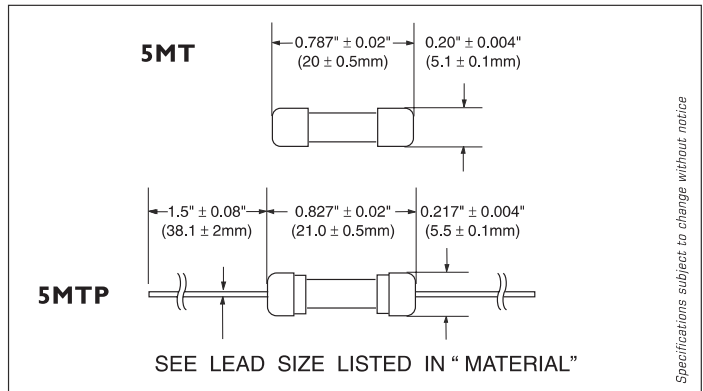
Packaging

- In bulk:
5MT - 1,000 pcs per box; 5MTP - 500 pcs per box
- On Axial Tape & Reel:
1,500 pcs per reel
- Tape & Reel specification:
per EIA-296-E & IEC 286-1
@ 10mm Pitch and 63.5mm inside Tape Spacing

Catalog Number	Ampere Rating	Typical Cold Resistance (ohm)	Volt-drop @100% In (Volt) max.	Melting I ² T < 10 mSec (A ² Sec)	Melting I ² T @10 In (A ² Sec)	Maximum Power Dissipation (W)
5MT (P) 100-R	100mA	12.00	1.7	0.02	0.04	0.30
5MT (P) 125-R	125mA	7.87	1.4	0.04	0.07	0.32
5MT (P) 160-R	160mA	5.17	1.2	0.06	0.11	0.34
5MT (P) 200-R	200mA	3.39	1.0	0.11	0.18	0.36
5MT (P) 250-R	250mA	2.22	0.872	0.18	0.30	0.38
5MT (P) 300-R	300mA	1.46	0.738	0.31	0.50	0.37
5MT (P) 375-R	375mA	1.06	0.649	0.47	0.75	0.40
5MT (P) 500-R	500mA	0.628	0.529	0.88	1.4	0.43
5MT (P) 600-R	600mA	0.412	0.448	1.5	2.3	0.45
5MT (P) 700-R	700mA	0.320	0.400	2.2	2.5	0.48
5MT (P) 750-R	750mA	0.296	0.392	2.3	3.5	0.49
5MT (P) 800-R	800mA	0.230	0.320	3.8	4.2	0.49
5MT (P) 1-R	1A	0.177	0.321	4.2	6.4	0.49
5MT (P) 1.25-R	1.25A	0.110	0.272	7.2	11	0.52
5MT (P) 1.6-R	1.6A	0.076	0.230	12	18	0.55
5MT (P) 2-R	2A	0.055	0.195	20	29	0.59
5MT (P) 2.5-R	2.5A	0.039	0.183	35	49	0.65
5MT (P) 3-R	3A	0.035	0.172	58	82	0.74
5MT (P) 3.5-R	3.5A	0.026	0.167	76	105	0.84
5MT (P) 4-R	4A	0.022	0.162	99	136	0.91
5MT (P) 5-R	5A	0.017	0.152	167	226	1.1
5MT (P) 6-R	6A	0.015	0.148	315	428	1.3
5MT (P) 7-R	7A	0.013	0.125	750	1059	2.1

Consult manufacturer for other ratings

Mechanical Dimensions



ORDERING INFORMATION SEE LAST 2 PAGES

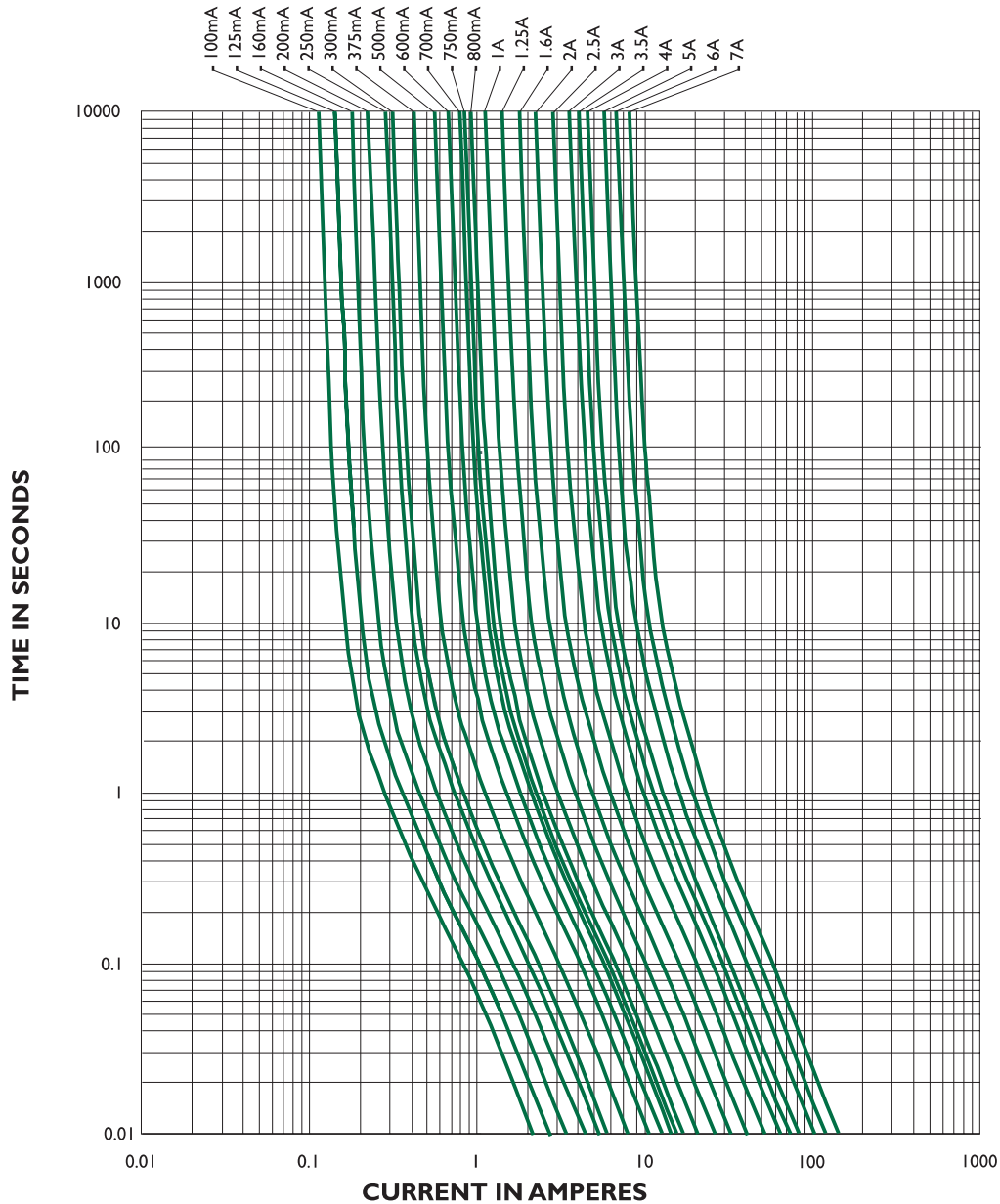
Type 5MT / 5MTP
Medium Blow Fuse Series

5 x 20mm Glass Tube
 RoHS 6 Compliant



5MTC0808

5MT / 5MTP - TIME CURRENT CHARACTERISTIC CURVE



Specifications subject to change without notice

NOTE - see important information under "User Guide" on P.08

Corporate Office

Bel Fuse Inc.
 206 Van Vorst Street, Jersey City, NJ 07302
 Tel: 201-432-0463
 Fax: 201-432-9542
 E-Mail: belfuse@belfuse.com
 Website: www.belfuse.com

Far East Office

Bel Fuse Ltd.
 8F/8 Luk Hop Street
 San Po Kong
 Kowloon, Hong Kong
 Tel: 852-2328-5515
 Fax: 852-2352-3706

European Office

Bel Fuse Europe Ltd.
 Preston Technology Management Centre
 Marsh Lane, Preston PR1 8UQ
 Lancashire, U.K
 Tel: 44-1772-556601
 Fax: 44-1772-888366