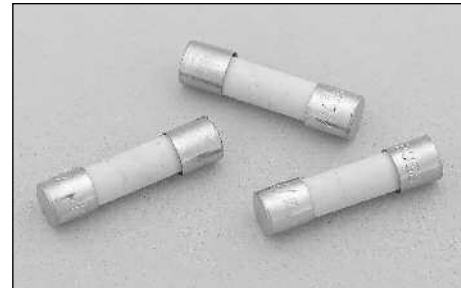


Description

- Fast acting
- Optional axial leads available
- 5mm x 20mm physical size
- Ceramic tube, nickel brass endcap construction
- Designed to IEC 60127-2



| ELECTRICAL CHARACTERISTICS | | | | | | | |
|----------------------------|--------|--------|--------|-------|------|--------|-------|
| In | 1.5 In | | 2.1 In | | 4 In | | 10 In |
| | min | max | min | max | min | max | max |
| 50mA-3.15A | 60 min | 30 min | 10 ms | 2 sec | 3 ms | 300 ms | 20 ms |
| 4A-10A | 60 min | 30 min | 10 ms | 3 sec | 3 ms | 300 ms | 20 ms |

Agency Information

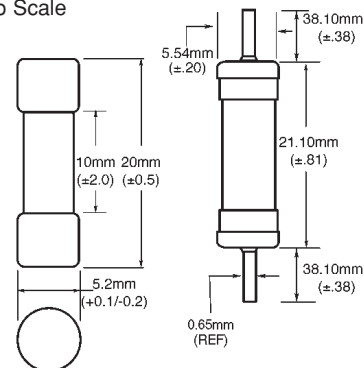
- UL Recognized Card: (50mA-10A) Guide JDYX2, File E19180
- CSA Component Acceptance: File 53787
- cURus Recognition: Guide JDYX8, File E19180
- SEMKO Approval 50mA, 160mA-10A
- VDE Approval 160mA-10A
- IMQ Approval 50mA-10A
- CCC Approval 160mA-10A

Ordering

- Specify packaging, product, and option code
- For -R option, drop mA or A from product code (i.e. S501-2-R)

Dimensions

Drawing Not to Scale



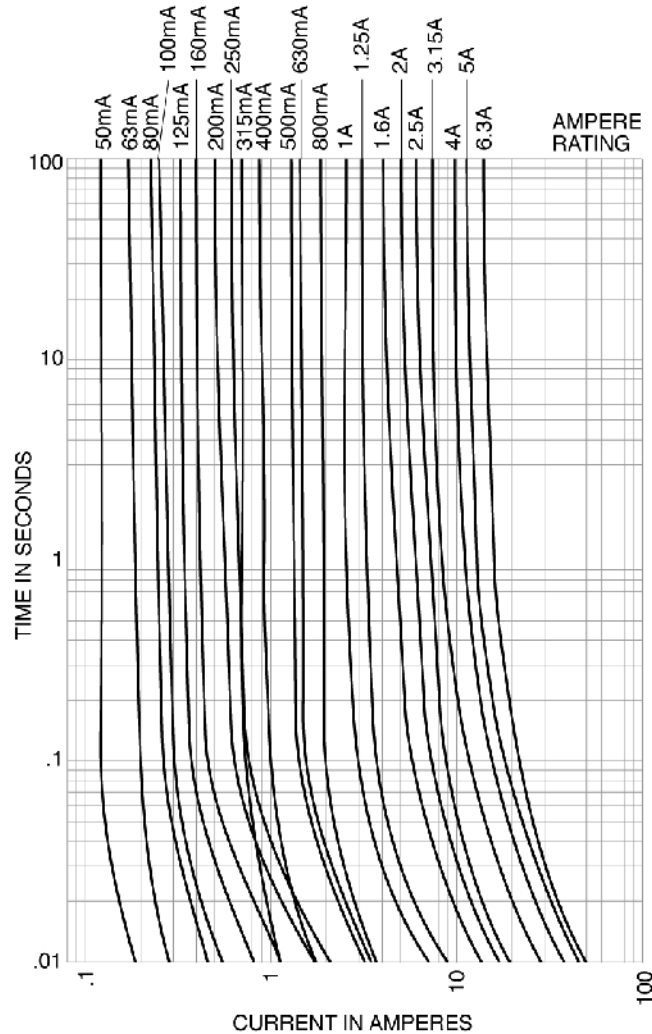
- Ratings above 6.3A have a 0.8mm diameter lead
- With TR2 packaging code, lead wire length is 19.05mm

| SPECIFICATIONS | | | | |
|----------------|----------------------|---|--|----------------------------------|
| Product Code | Voltage Rating AC | Interrupting Rating at Rated Voltage AC | Typical Melting I ² t (A ² Sec) AC | Typical Voltage Drop (mV)‡ |
| S501-50mA | 250V | 1500A | 0.0017 | 9000 |
| S501-63mA | 250V | 1500A | 0.0005 | 3300 |
| S501-80mA | 250V | 1500A | 0.0011 | 2600 |
| S501-100mA | 250V | 1500A | 0.0018 | 2300 |
| S501-125mA | 250V | 1500A | 0.0037 | 1900 |
| S501-160mA | 250V | 1500A | 0.008 | 1600 |
| S501-200mA | 250V | 1500A | 0.020 | 1350 |
| S501-250mA | 250V | 1500A | 0.027 | 1300 |
| S501-315mA | 250V | 1500A | 0.010 | 1400 |
| S501-400mA | 250V | 1500A | 0.018 | 1200 |
| S501-500mA | 250V | 1500A | 0.038 | 1050 |
| S501-630mA | 250V | 1500A | 0.064 | 1200 |
| S501-800mA | 250V | 1500A | 0.097 | 490 |
| S501-1A | 250V | 1500A | 0.480 | 230 |
| S501-1.25A | 250V | 1500A | 0.9 | 200 |
| S501-1.6A | 250V | 1500A | 1.9 | 180 |
| S501-2A | 250V | 1500A | 2.0 | 205 |
| S501-2.5A | 250V | 1500A | 3.9 | 190 |
| S501-3.15A | 250V | 1500A | 8.1 | 160 |
| S501-4A | 250V | 1500A | 14 | 160 |
| S501-5A | 250V | 1500A | 25 | 155 |
| S501-6.3A | 250V | 1500A | 48 | 150 |
| S501-8A | 250V | 1500A | N/A | N/A |
| S501-10A | 250V | 1500A | N/A | N/A |

‡ Typical Voltage Drop (Voltage drop was measured at 20°C ambient temperature at rated current)

TIME CURRENT CURVE

Time-Current Characteristic Curves—Average Melt



| PACKAGING CODE | |
|-----------------------|---|
| Packaging Code | Description |
| BK | 100 pieces of fuses packed into a cardboard carton |
| BK1 | 1,000 pieces of fuses packed into a poly bag |
| TR2 | 1,500 pieces of fuses packed into tape on a reel (19.05mm lead wire length) |

| OPTION CODE | |
|--------------------|--|
| Option Code | Description |
| V | Axial leads - copper tinned wire with nickel plated brass overcaps |
| -R | RoHS compliant version |