

Description

- Fast acting, low breaking capacity
- Optional Axial leads available
- 5mm x 20mm physical size
- Glass tube, nickel-plated brass endcap construction
- Designed to IEC 60127-2 (32mA-6.3A)



| ELECTRICAL CHARACTERISTICS | | | | | | | | | |
|----------------------------|--------|--------|--------|--------|---------|--------|-------|-----|-------|
| In | 1.5 In | | 2.1 In | | 2.75 In | | 4 In | | 10 In |
| | min | max | min | max | min | max | min | max | max |
| 32mA-100mA | 60 min | 30 min | 10 ms | 500 ms | 3 ms | 100 ms | 20 ms | | 20 ms |
| 125mA-6.3A | 60 min | 30 min | 50 ms | 2 sec | 10 ms | 300 ms | 20 ms | | 20 ms |

Agency Information

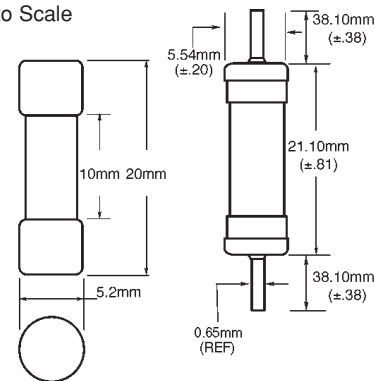
- UL Recognized Card: (32mA-10A) Guide JDYX2, File E19180
- CSA Component Acceptance: File 53787
- cURus Recognition: Guide JDYX8, File E19180
- SEMKO Approval 160mA-10A
- VDE Approval 160mA-10A
- BSI Approval 160mA-10A
- IMQ Approval 160mA-10A
- CCC Approval 160mA-6.3A

Ordering

- Specify packaging, product, and option code
- For -R option, drop mA or A from product code (i.e. S500-2-R)

Dimensions

Drawing Not to Scale



- Ratings above 6.3A have a 0.8mm diameter lead
- With TR2 packaging code, lead wire length is 19.05mm

SPECIFICATIONS

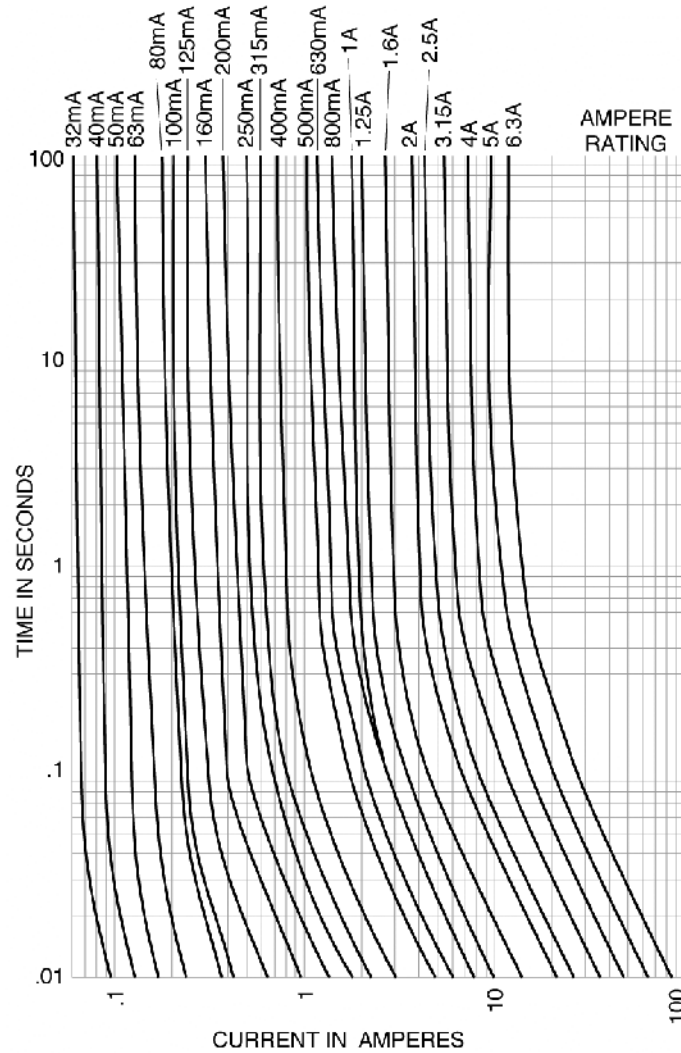
| Product Code | Voltage Rating AC | Interrupting Rating at Rated Voltage (50Hz) AC | Typical DC Cold Resistance (ohms)* | Typical Melting I ² t (A ² Sec) AC† | Maximum Voltage Drop (mV)‡ |
|--------------|-------------------|--|------------------------------------|---|----------------------------|
| S500-32mA | 250V | 35A | 41.5 | 0.000047 | 3200 |
| S500-40mA | 250V | 35A | 25.5 | 0.00011 | 2500 |
| S500-50mA | 250V | 35A | 17.5 | 0.00020 | 2400 |
| S500-63mA | 250V | 35A | 12.9 | 0.00057 | 2000 |
| S500-80mA | 250V | 35A | 5.2 | 0.0012 | 1200 |
| S500-100mA | 250V | 35A | 3.9 | 0.003 | 1100 |
| S500-125mA | 250V | 35A | 2.9 | 0.005 | 1000 |
| S500-160mA | 250V | 35A | 9.2 | 0.008 | 2000 |
| S500-200mA | 250V | 35A | 7.0 | 0.016 | 1700 |
| S500-250mA | 250V | 35A | 4.5 | 0.28 | 1400 |
| S500-315mA | 250V | 35A | 3.2 | 0.58 | 1300 |
| S500-400mA | 250V | 35A | 1.9 | 0.18 | 1100 |
| S500-500mA | 250V | 35A | 0.27 | 0.18 | 220 |
| S500-630mA | 250V | 35A | 0.21 | 0.35 | 220 |
| S500-800mA | 250V | 35A | 0.15 | 0.67 | 190 |
| S500-1A | 250V | 35A | 0.13 | 0.60 | 200 |
| S500-1.25A | 250V | 35A | 0.098 | 0.84 | 200 |
| S500-1.6A | 250V | 35A | 0.068 | 1.6 | 190 |
| S500-2A | 250V | 35A | 0.044 | 4.2 | 150 |
| S500-2.5A | 250V | 35A | 0.035 | 6.1 | 150 |
| S500-3.15A | 250V | 35A | 0.026 | 13 | 130 |
| S500-4A | 250V | 40A | 0.022 | 22 | 130 |
| S500-5A | 250V | 50A | 0.015 | 42 | 120 |
| S500-6.3A | 250V | 63A | 0.010 | 69 | 120 |
| S500-8A | 250V | 80A | N/A | N/A | N/A |
| S500-10A | 250V | 100A | N/A | N/A | N/A |

* DC Cold Resistance (Measured at <10% of rated current)

† Typical Melting I²t (I²t was measured at listed interrupting rating and rated voltage)

‡ Maximum Voltage Drop (Voltage drop was measured at 20°C ambient temperature at rated current)

TIME CURRENT CURVE
Time-Current Characteristic Curves—Average Melt



| PACKAGING CODE | |
|----------------|---|
| Packaging Code | Description |
| BK | 100 pieces of fuses packed into a cardboard carton |
| BK1 | 1,000 pieces of fuses packed into a poly bag |
| TR2 | 1,500 pieces of fuses packed into tape on a reel (19.05mm lead wire length) |

| OPTION CODE | |
|-------------|--|
| Option Code | Description |
| V | Axial leads - copper tinned wire with nickel plated brass overcaps |
| -R | RoHS compliant version |