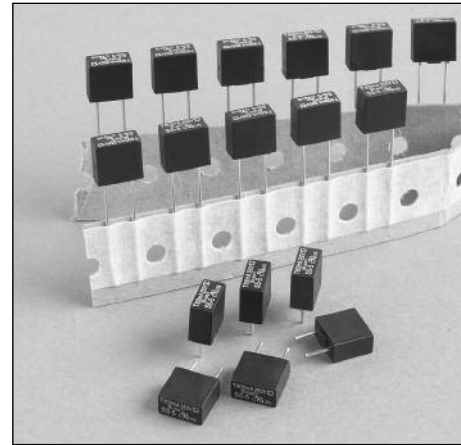


**Description**

- Radial Leaded Time Lag Thru-Hole Fuse
- Rectangular shape with reduced foot print
- Designed to IEC 60127-3, Sheet 4
- Internationally accepted for primary and secondary overcurrent protection
- Place directly into PCB or plug into BK/PCS holder
- High inrush withstand capability
- Compatible with leaded and lead-free reflow and wave solder
- Base/Cap is Nylon #66, UL 94V0
- Pins are Tin Plated Copper



| ELECTRICAL CHARACTERISTICS |            |            |         |        |        |       |       |        |  |
|----------------------------|------------|------------|---------|--------|--------|-------|-------|--------|--|
| Rated Current              | 1.5 In min | 2.1 In max | 2.75 In |        | 4 In   |       | 10 In |        |  |
|                            |            |            | min     | max    | min    | max   | min   | max    |  |
| 400mA-6.3A                 | 1hr        | 2 min      | 400 ms  | 10 sec | 150 ms | 3 sec | 20 ms | 150 ms |  |

**Agency Information**

- UL Recognition: E146895 (400mA thru 6.3A)
- CSA: LR98127 (400mA thru 5A)
- VDE: 122052 (500mA thru 4A, 6.3A)
- SEMKO: 603891 (630mA thru 4A)
- CQC 05012014933 (630mA thru 4A)
- METI: 32-1966 (500mA thru 5A)
- Remaining 5-6.3A Approvals Pending

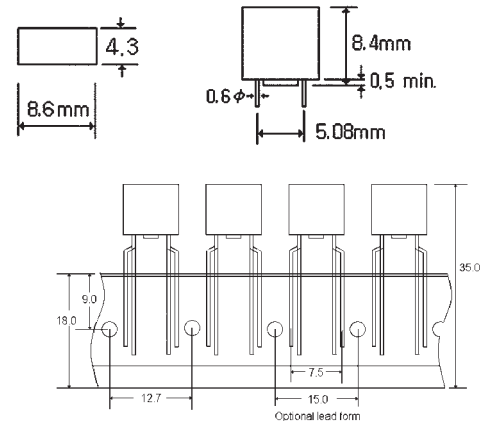
**Specifications**

- Solderability: EIA-186-9E Method 9
- High Frequency Vibration: MIL-STD-202F, Method 201A
- Operating Temperature: -40°C to +125°C
- Soldering Heat Resistance: 260°C, 10S (IEC 60068-2-20)

**Ordering**

- Specify product and packaging code (i.e., SS-5-1A-AP)

**Dimensions** mm/(inches)

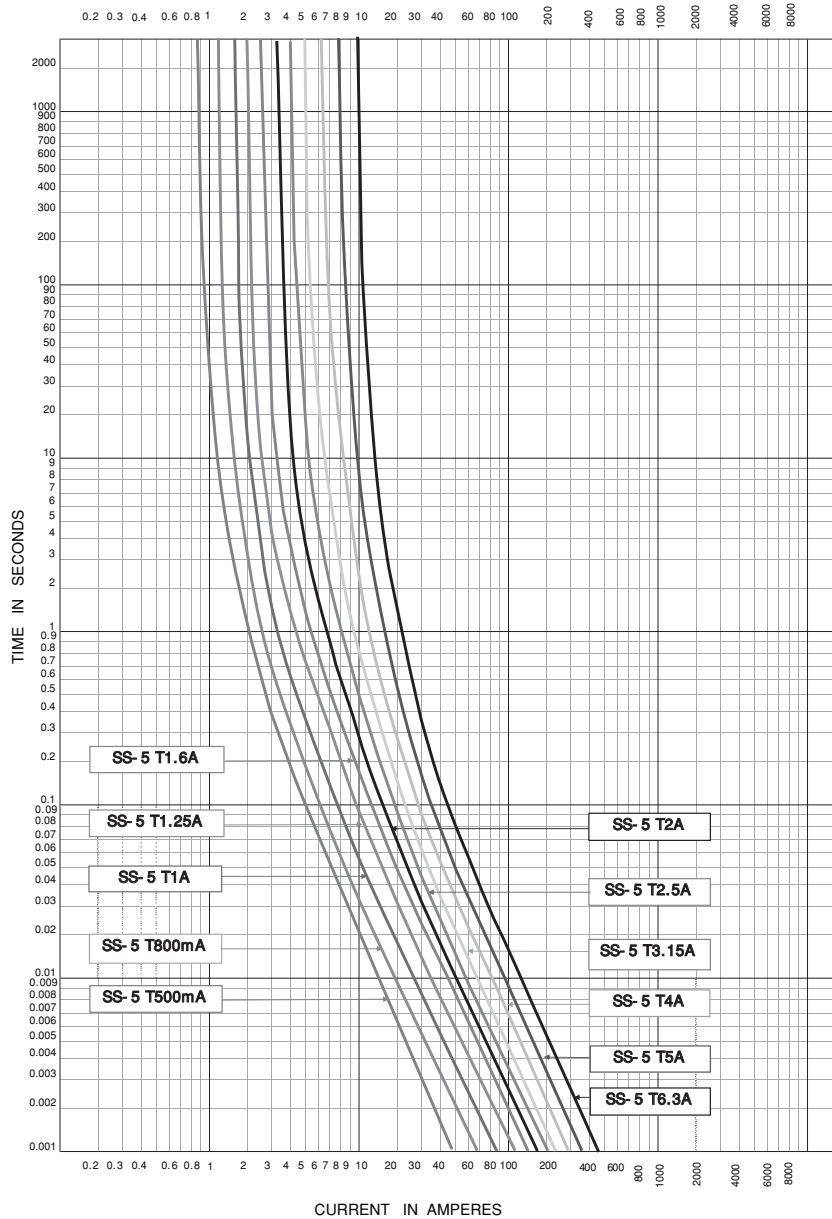


**SPECIFICATIONS**

| Product Code | Voltage Rating AC | Interrupting Rating @ Rated Voltage | Typical DC Cold Resistance (ohms) | Typical Melting I <sup>2</sup> t (A <sup>2</sup> s) at 1ms | Maximum Power Dissipation (mW) |
|--------------|-------------------|-------------------------------------|-----------------------------------|--|--------------------------------|
| SS-5-500mA   | 250V              | 35A                                 | 0.270                             | 2  | 310                            |
| SS-5-630mA   | 250V              | 35A                                 | 0.175                             | 3.5  | 360                            |
| SS-5-800mA   | 250V              | 35A                                 | 0.125                             | 6.5  | 430                            |
| SS-5-1A      | 250V              | 35A                                 | 0.083                             | 9  | 500                            |
| SS-5-1.25A   | 250V              | 35A                                 | 0.061                             | 13   | 600                            |
| SS-5-1.6A    | 250V              | 35A                                 | 0.047                             | 24   | 730                            |
| SS-5-2A      | 250V              | 35A                                 | 0.031                             | 30   | 870                            |
| SS-5-2.5A    | 250V              | 35A                                 | 0.028                             | 45   | 1000                           |
| SS-5-3.15A   | 250V              | 35A                                 | 0.023                             | 57   | 1200                           |
| SS-5-4A      | 250V              | 40A                                 | 0.015                             | 80   | 1400                           |
| *SS-5-5A     | 250V              | 50A                                 | 0.011                             | 120  | 1800                           |
| *SS-5-6.3A   | 250V              | 63A                                 | 0.009                             | 140  | 2000                           |

\* Conducting Path min. 0.2mm<sup>2</sup>

**TIME CURRENT CURVE**



| PACKAGING CODE |                               |
|----------------|-------------------------------|
| Packaging Code | Description                   |
| -AP            | Ammo-pack taped 1,000 per box |
| -BK            | In bulk 200 per bag           |

**North America**

Cooper Electronic Technologies  
1225 Broken Sound Parkway NW  
Suite F  
Boca Raton, FL 33487-3533  
Tel: 1-561-998-4100  
Fax: 1-561-241-6640  
Toll Free: 1-888-414-2645

Cooper Bussmann  
P.O. Box 14460  
St. Louis, MO 63178-4460  
Tel: 1-636-394-2877  
Fax: 1-800-544-2570

**Europe**

Cooper Electronic Technologies  
Cooper (UK) Limited  
Burton-on-the-Wolds  
Leicestershire • LE12 5TH UK  
Tel: +44 (0) 1509 882 737  
Fax: +44 (0) 1509 882 786

Cooper Electronic Technologies  
Avda. Santa Eulalia, 290  
08223  
Terrassa, (Barcelona), Spain  
Tel: +34 937 362 812  
+34 937 362 813  
Fax: +34 937 362 719

**Asia Pacific**

Cooper Electronic Technologies  
1 Jalan Kilang Timor  
#06-01 Pacific Tech Centre  
Singapore 159303  
Tel: +65 278 6151  
Fax: +65 270 4160