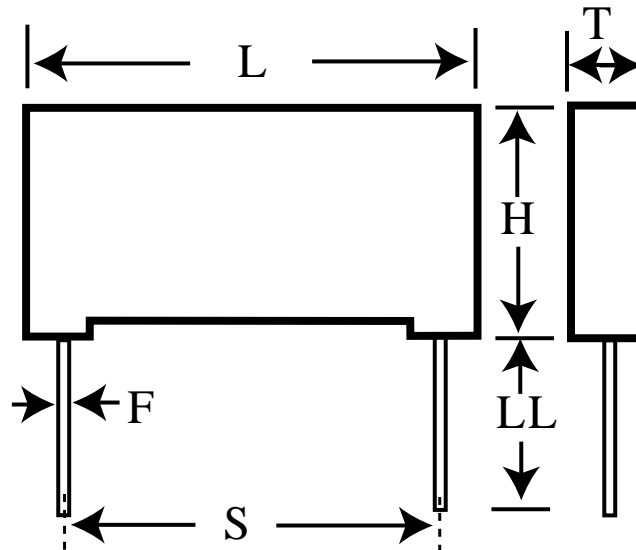


# PHE450RR6220JR06L2

aka F450RF224J1K6C

Capacitor, film, 0.22  $\mu$ F, +/-5% Tol, -55/+105C, Pulse, 1600V@85C,  
Lead Spacing=37.5 mm



## Dimensions (mm)

ID	Dimension	Tolerance
L	41	max
H	24	max
T	13	max
S	37.5	+/-0.5
LL	6	nom
F	1	nom

## Specifications

Manufacturer:	KEMET
Brand:	Rifa
Capacitance:	0.22 $\mu$ F
Temperature Range:	-55/+105C
Rated Temperature:	85C
Voltage @ rated temp:	1600V
Voltage AC:	650VAC
Tolerance:	+/-5%
Body Type:	Radial Box
Construction:	Double Metallized
Application:	Pulse
Sub Application:	HighCurrent
Dielectric:	Metallized Polypropylene
Dissipation Factor @ 1 kHz:	0.03%
Dissipation Factor @ 10 kHz:	0.06%
Insulation Resistance:	100 GOhm
Inductance:	6 nH
Maximum dVdT:	800v/us
Miscellaneous Electrical:	IEC 60384-17, Gr. 1.1; Rthha [85C/2.m/s] = 27 C/W series(PHE450)
Package Kind:	Bulk
Package Type:	Tray
Package Quantity:	140