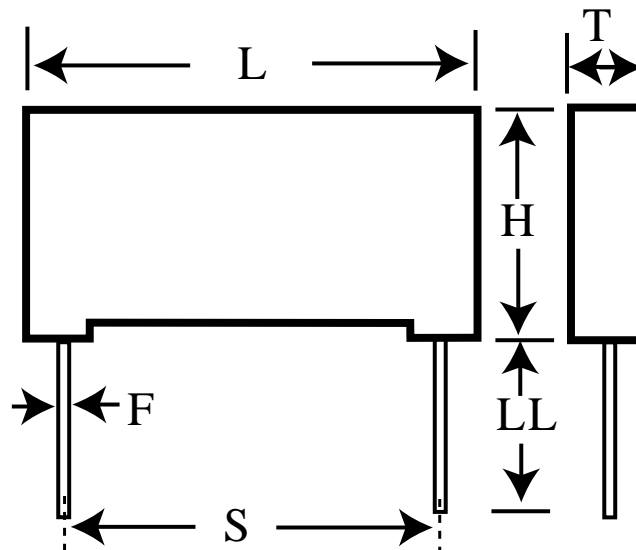


SMR5105K50J06L4BULK

aka F211JU105K050C

Capacitor, film, 1 uF, +/-10% Tol, -55/+150C, DC General Purpose, 50V@125C, Lead Spacing=5 mm



Dimensions (mm)

ID	Dimension	Tolerance
L	7.2	max
H	13	max
T	7.2	max
S	5	+/-0.4
LL	5	nom
F	0.5	nom

Specifications

Manufacturer:	KEMET
Brand:	Evox
Capacitance:	1 uF
Temperature Range:	-55/+150C
Rated Temperature:	125C
Voltage @ rated temp:	50V
Voltage AC:	30VAC
Tolerance:	+/-10%
Body Type:	Radial Box
Construction:	Non-inductive
Application:	DC General Purpose
Dielectric:	Metallized Polyphenylene Sulphide
Dissipation Factor @ 1 kHz:	0.15%
Dissipation Factor @ 10 kHz:	0.25%
Dissipation Factor @ 100kHz:	0.6%
Insulation Resistance:	5 GOhm
Maximum dVdT:	6v/us
Miscellaneous Electrical:	SMR
Package Kind:	Bulk
Package Quantity:	1000