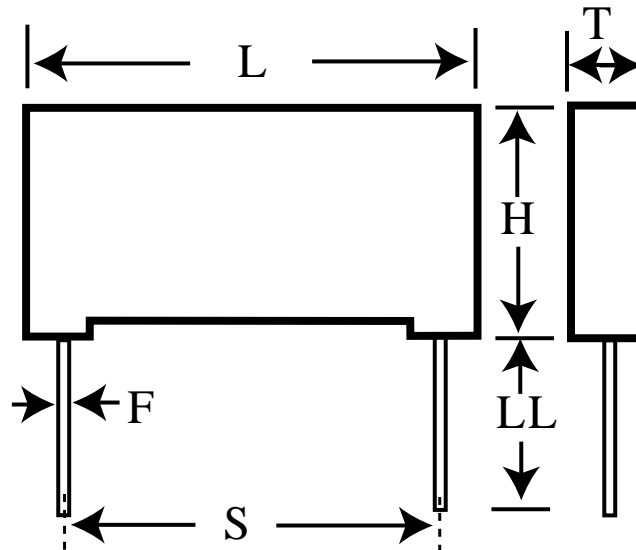


SMR10104H63A01L4BULK

aka F211AG104R063C

Capacitor, film, 0.1 uF, +/-2.5% Tol, -55/+150C, DC General Purpose, 63V@125C, Lead Spacing=10 mm



Dimensions (mm)

ID	Dimension	Tolerance
L	13	max
H	9	max
T	4	max
S	10	+/-0.4
LL	5	nom
F	0.6	nom

Specifications

Manufacturer:	KEMET
Brand:	Evox
Capacitance:	0.1 uF
Temperature Range:	-55/+150C
Rated Temperature:	125C
Voltage @ rated temp:	63V
Voltage AC:	40VAC
Tolerance:	+/-2.5%
Body Type:	Radial Box
Construction:	Non-inductive
Application:	DC General Purpose
Dielectric:	Metallized Polyphenylene Sulphide
Dissipation Factor @ 1 kHz:	0.15%
Dissipation Factor @ 10 kHz:	0.25%
Dissipation Factor @ 100kHz:	0.6%
Insulation Resistance:	15 GOhm
Maximum dVdT:	10v/us
Miscellaneous Electrical:	SMR
Package Kind:	Bulk
Package Quantity:	1000