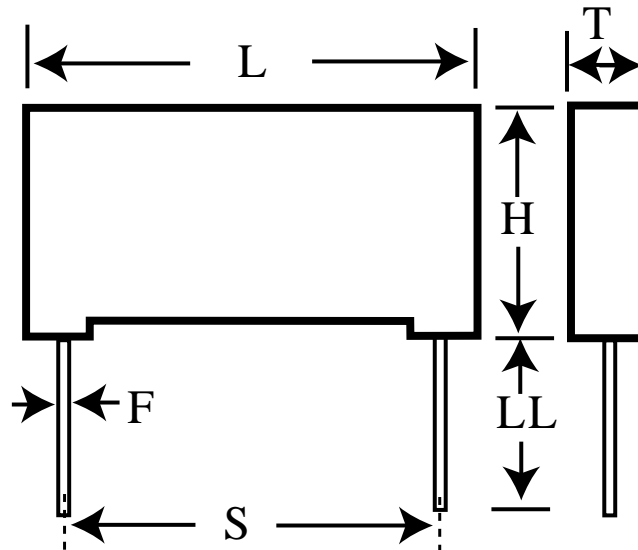


PHE840MF6470MF11R06L2

aka F840FE474M275C

Capacitor, film, 0.47 μ F, +/-20% Tol, -55/+105C, Safety: X2, 275VAC,
Lead Spacing=27.5 mm



Dimensions (mm)

| ID | Dimension | Tolerance |
|----|-----------|-----------|
| L | 31.5 | max |
| H | 20.5 | max |
| T | 10.5 | max |
| S | 27.5 | +/-0.4 |
| LL | 6 | nom |
| F | 0.8 | nom |

Specifications

| | |
|---------------------------|--------------------------|
| Manufacturer: | KEMET |
| Brand: | Rifa |
| Capacitance: | 0.47 μ F |
| Temperature Range: | -55/+105C |
| Rated Temperature: | 105C |
| Voltage @ rated temp: | 760V |
| Voltage AC: | 275VAC |
| Tolerance: | +/-20% |
| Body Type: | Radial Box |
| Construction: | Non-inductive |
| Application: | Safety: X2 |
| Dielectric: | Metallized Polypropylene |
| Maximum dVdT: | 100v/us |
| Miscellaneous Electrical: | PHE840M |
| Package Kind: | Bulk |
| Package Type: | Tray |
| Package Quantity: | 216 |