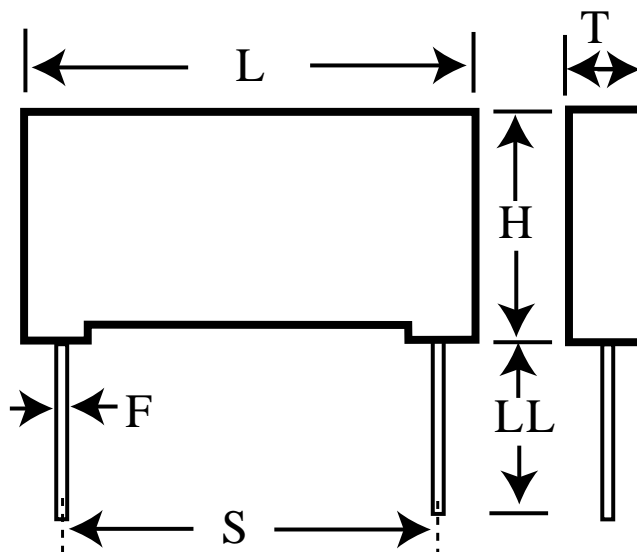


MMK27.5225K400F12L4TRAY

aka F601FG225K400C MMK27,5225K400F12L4TRAY

Capacitor, film, 2.2 uF, +/-10% Tol, -55/+100C, DC General Purpose, 400V@85C, Lead Spacing=27.5 mm



Dimensions (mm)

ID	Dimension	Tolerance
L	31.5	max
H	22.5	max
T	11.5	max
S	27.5	+/-0.4
LL	5	nom
F	0.8	nom

Specifications

Manufacturer:	KEMET
Brand:	Evox
Capacitance:	2.2 uF
Temperature Range:	-55/+100C
Rated Temperature:	85C
Voltage @ rated temp:	400V
Voltage AC:	200VAC
Tolerance:	+/-10%
Body Type:	Radial Box
Construction:	Non-inductive
Application:	DC General Purpose
Dielectric:	Metallized Polyester
Dissipation Factor @ 1 kHz:	1%
Insulation Resistance:	4.55 GOhm
Inductance:	6 nH
Maximum dVdT:	8v/us
Miscellaneous Electrical:	CECC 30401-042, IEC 60384-2, DIN 44122 series(MMK)
Package Kind:	Bulk
Package Type:	Tray
Package Quantity:	198