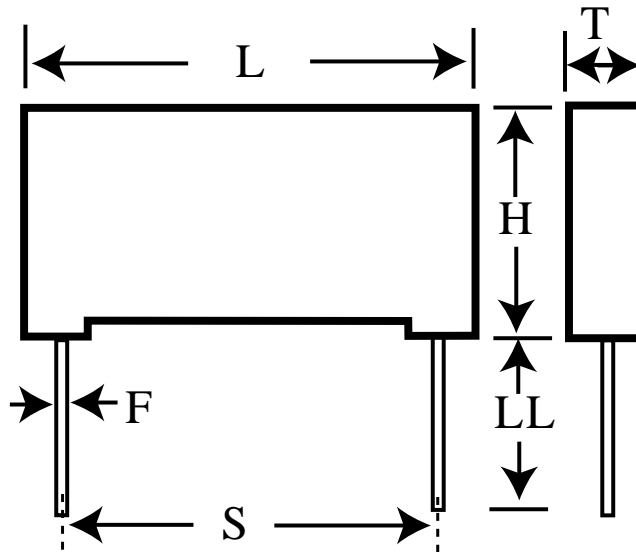


# PHE450KF7100JR06L2

aka F450FK105J400C

Capacitor, film, 1 uF, +/-5% Tol, -55/+105C, Pulse, 400V@85C, Lead Spacing=27.5 mm



## Dimensions (mm)

ID	Dimension	Tolerance
L	31.5	max
H	23	max
T	13.5	max
S	27.5	+/-0.4
LL	6	nom
F	0.8	nom

## Specifications

<b>Manufacturer:</b>	KEMET
<b>Brand:</b>	Rifa
<b>Capacitance:</b>	1 uF
<b>Temperature Range:</b>	-55/+105C
<b>Rated Temperature:</b>	85C
<b>Voltage @ rated temp:</b>	400V
<b>Voltage AC:</b>	250VAC
<b>Tolerance:</b>	+/-5%
<b>Body Type:</b>	Radial Box
<b>Construction:</b>	Double Metallized
<b>Application:</b>	Pulse
<b>Sub Application:</b>	HighCurrent
<b>Dielectric:</b>	Metallized Polypropylene
<b>Dissipation Factor @ 1 kHz:</b>	0.03%
<b>Dissipation Factor @ 10 kHz:</b>	0.06%
<b>Insulation Resistance:</b>	30 GOhm
<b>Inductance:</b>	6 nH
<b>Maximum dVdT:</b>	500v/us
<b>Miscellaneous Electrical:</b>	IEC 60384-17, Gr. 1.1; Rthha [85C/2.m/s] = 32 C/W series(PHE450)
<b>Package Kind:</b>	Bulk
<b>Package Type:</b>	Tray
<b>Package Quantity:</b>	171