

**Schematic Cross Section**



### APPLICATIONS

- Commodity Product:
  - Decoupling with AC or pulse components
  - High current uses (TV deflection coils)
  - Capacitive dividers
  - Energy saving lamps, etc.

### TECHNOLOGY

- Dielectric: Polyester film
- Stacked-film for pitch 7.5, 10 & 15mm (63Vdc...400Vdc)  
Wound capacitor for pitch 7.5 & 10 & 15mm (630Vdc/1000Vdc)  
for pitch 22.5 & 27.5mm (63Vdc/1000Vdc)
- Leads: Radial tinned copper wire
- Protection: Plastic case (UL94: V-O) / Polyurethane resin
- Marking: Logo  
Type  
Nominal Capacitance  
Tolerance (EIA)  
DC Nominal Voltage  
Example: **T BN 47n J 400**
- Delivery Mode: Bulk  
Taped (reel)

### PERFORMANCE CHARACTERISTICS

|                                |  |    |    |      |      |
|--------------------------------|--|----|----|------|------|
| Climatic Category:             | 55/125/56 Performance Class 2  |    |    |      |      |
| Capacitance Range:             | C <sub>R</sub> 1 nF to 22 μF (E6)  |    |    |      |      |
| Tolerances on C <sub>R</sub> : | ±5%, ±10%, ±20% (other values on request)  |    |    |      |      |
| Nominal Voltages:              | V <sub>R-</sub> 63/100/250/400/630/1000 V<br>V <sub>R-</sub> 40/63/115/200/220/450 V |    |    |      |      |
| Category Voltage:              | V <sub>c</sub> = Un at 100°C & 0.5 Un at 125°C                                       |    |    |      |      |
| Test Voltage:                  | V <sub>e</sub> = 1.6 Undc/2 s at 20°C  |    |    |      |      |
| Total Self Inductance (L):     | For lead length = 2mm  |    |    |      |      |
| Pitch (mm)                     | 7.5  | 10 | 15 | 22.5 | 27.5 |
| L (nH)                         | 8  | 9  | 10 | 18   | 18   |

|                                 |  |
|---------------------------------|--|
| Tangent of Loss Angle at 1 kHz: | D.F. ≤ 100·10 <sup>-4</sup> for C > 0.1 μF<br>≤ 80·10 <sup>-4</sup> for C ≤ 0.1 μF   |
| Insulation Resistance:          | IR ≥ 3.75 GΩ for C ≤ 0.33 μF<br>IR (MΩ) * C(μF) ≥ 1250 s for C > 0.33 μF<br>measures at 10V for Un=63Vdc and 100V for others |

dv/dt: (V/μsec)

| V <sub>R-</sub>                        | 63 | 100 | 250 | 400 | 630 | 1000 |
|--|----|-----|-----|-----|-----|------|
| (dv/dt) <sub>R</sub> max pitch: 7.5mm  | 60 | 75  | 120 | 300 | 440 |      |
| (dv/dt) <sub>R</sub> max pitch: 10mm   | 30 | 40  | 50  | 110 | 112 | 800  |
| (dv/dt) <sub>R</sub> max pitch: 15mm   | 23 | 27  | 34  | 79  | 102 | 400  |
| (dv/dt) <sub>R</sub> max pitch: 22.5mm | 8  | 9   | 14  | 25  | 25  | 380  |
| (dv/dt) <sub>R</sub> max pitch: 27.5mm | 5  | 5   | 6   | 8   | 15  | 340  |

Thermal Resistance: R<sub>th</sub> hot spot/ambient (°C/W)

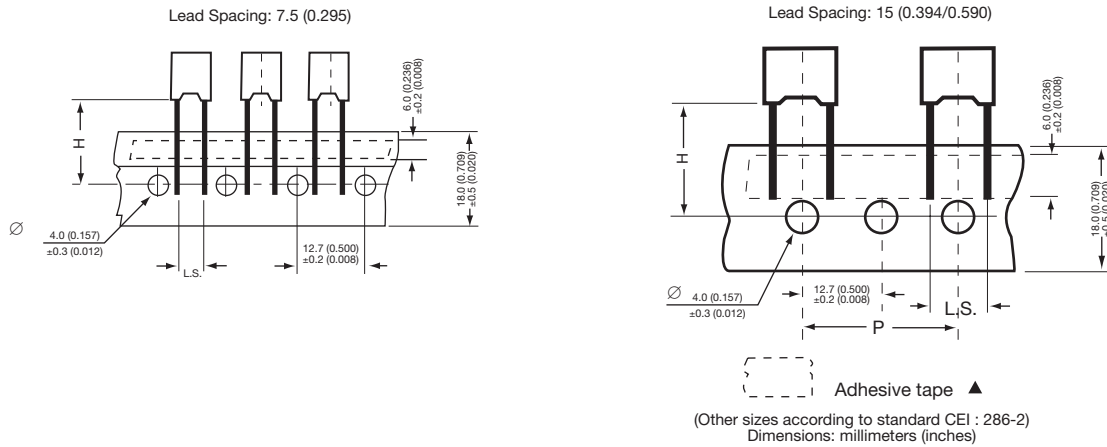
| Pitch (mm)                | 7.5mm |     |   | 10mm |     |     | 15mm |     |    | 22.5mm |    |    | 27.5mm |    |    |    |    |    |     |
|---------------------------|-------|-----|---|------|-----|-----|------|-----|----|--------|----|----|--------|----|----|----|----|----|-----|
| Case                      | 1     | 2   | C | D    | E0  | 4   | 5    | 6   | 9  | 10     | 11 | 12 | 13     | 16 | P0 | 18 | 19 | 26 | R68 |
| R <sub>th</sub> (stacked) | 201   | 147 |   | 117  | 140 | 124 | 90   | 88  | 61 | 82     |    |    |        |    |    |    |    |    |     |
| R <sub>th</sub> (wound)   | 201   | 147 |   | 117  | 140 | 124 | 90   | 123 | 86 | 75     | 64 | 53 | 48     | 42 | 40 | 33 | 30 | 27 | 23  |

### STANDARDIZATION

- Generic specifications:**  
CEI 384-1/CECC 30000/UTE 83100
- Sectional specifications:**  
CEI 384-2/CECC 30400/UTE 83151

## PACKAGING

### • Reel



|   |  | Taping Suffix EN                 |                                       |            |
|---|--|----------------------------------|---------------------------------------|------------|
|   |  | Lead Spacing<br>Tol ±0.4 (0.016) |                                       |            |
|   |  | 7.5 (0.295)                      | 10 (0.394)                            | 15 (0.590) |
| P |  | 12.7 ±1<br>(0.5 ±0.039)          | 25.4 ±1<br>(1.0 ±0.039)               |            |
| H |  | 16.5 ±0.3<br>(0.650 ±0.012)      | 16 +1.5/-0.5<br>(0.600 +0.059/-0.020) |            |

### • Bulk

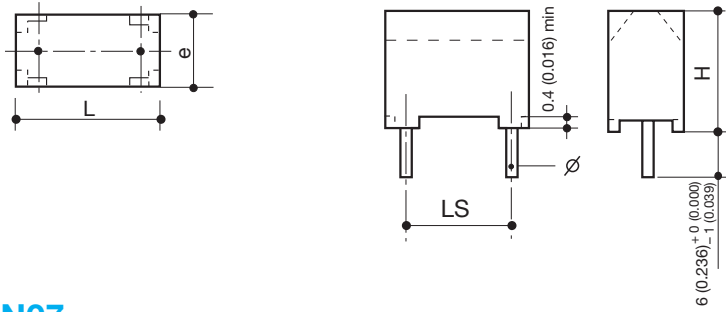
| Suffix       | - -          | LG            | KB            | KC          | KE          | KH          | KK           | K3         | K7         |
|--------------|--------------|---------------|---------------|-------------|-------------|-------------|--------------|------------|------------|
| Leads Length | 6mm<br>+0/-1 | 3.2mm<br>±0.4 | 3.5mm<br>±0.5 | 4mm<br>±0.5 | 5mm<br>±0.5 | 9mm<br>±0.5 | 15mm<br>±0.5 | 20mm<br>±1 | 25mm<br>±1 |

Standard Suffix: - -  
Special MOQ for these special suffix

# BN 07/10/15/22/27



Pitch = 7.5mm



## BN07

| Pitch<br>mm | Ordering Code | Vr-/Vr~ | Cr    | Case | Dimensions (mm) |       |        | MOQ    |                     | ∅ +10%<br>-0.5 mm       | I <sup>2</sup> t<br>(A <sup>2</sup> .sec) | I <sub>rms</sub><br>(A) |
|-------------|---------------|---------|-------|------|-----------------|-------|--------|--------|---------------------|-------------------------|---|-------------------------|
|             |               |         |       |      | L max           | H max | e max  | Reel   | Bulk <sup>(1)</sup> |                         |   |                         |
| 7.5         | BN074D0683+-  | 63/40   | 68nF  | 1    | 9.3             | 8.2   | 3.3    | 8000   | 12,000              | 0.6                     | 8.33 x 10 <sup>-4</sup>                   | 0.357                   |
| 7.5         | BN074D0104+-  |         | 100nF | 1    | 9.3             | 8.2   | 3.3    | 8000   | 12,000              | 0.6                     | 1.41 x 10 <sup>-3</sup>                   | 0.48                    |
| 7.5         | BN074D0224+-  |         | 220nF | 1    | 9.3             | 8.2   | 3.3    | 8000   | 12,000              | 0.6                     | 2.79 x 10 <sup>-3</sup>                   | 0.53                    |
| 7.5         | BN074D0334+-  |         | 330nF | 1    | 9.3             | 8.2   | 3.3    | 8000   | 12,000              | 0.6                     | 3.63 x 10 <sup>-3</sup>                   | 0.64                    |
| 7.5         | BN074D0474+-  |         | 470nF | 1    | 9.3             | 8.2   | 3.3    | 8000   | 12,000              | 0.6                     | 5.11 x 10 <sup>-3</sup>                   | 0.84                    |
| 7.5         | BN074D0684+-  |         | 680nF | 2    | 10.1            | 10.2  | 5.2    | 10,000 | 14,000              | 0.6                     | 1.54 x 10 <sup>-2</sup>                   | 1.33                    |
| 7.5         | BN074D0105+-  |         | 1µF   | 2    | 10.1            | 10.2  | 5.2    | 10,000 | 14,000              | 0.6                     | 2.78 x 10 <sup>-2</sup>                   | 1.77                    |
| 7.5         | BN074D0225+-  |         | 2.2µF | D    | 10.1            | 12.2  | 6.2    | 8000   | 8000                | 0.6                     | 1.12 x 10 <sup>-1</sup>                   | 4                       |
| 7.5         | BN074E0333+-  | 100/63  | 33nF  | 1    | 9.3             | 8.2   | 3.3    | 8000   | 12,000              | 0.6                     | 4.52 x 10 <sup>-4</sup>                   | 0.21                    |
| 7.5         | BN074E0473+-  |         | 47nF  | 1    | 9.3             | 8.2   | 3.3    | 8000   | 12,000              | 0.6                     | 6.12 x 10 <sup>-4</sup>                   | 0.29                    |
| 7.5         | BN074E0104+-  |         | 100nF | 1    | 9.3             | 8.2   | 3.3    | 8000   | 12,000              | 0.6                     | 1.41 x 10 <sup>-3</sup>                   | 0.48                    |
| 7.5         | BN074E0224+-  |         | 220nF | 1    | 9.3             | 8.2   | 3.3    | 8000   | 12,000              | 0.6                     | 2.79 x 10 <sup>-3</sup>                   | 0.53                    |
| 7.5         | BN074E0334+-  |         | 330nF | 2    | 10.1            | 10.2  | 5.2    | 10,000 | 14,000              | 0.6                     | 7.85 x 10 <sup>-3</sup>                   | 1.00                    |
| 7.5         | BN074E0474+-  |         | 470nF | 2    | 10.1            | 10.2  | 5.2    | 10,000 | 14,000              | 0.6                     | 1.27 x 10 <sup>-2</sup>                   | 1.16                    |
| 7.5         | BN074E0684+-  |         | 680nF | C    | 10.1            | 11.2  | 5.2    | 10,000 | 12,000              | 0.6                     | 2.23 x 10 <sup>-2</sup>                   | 1.48                    |
| 7.5         | BN074E0105+-  |         | 1µF   | D    | 10.1            | 12.2  | 6.2    | 8000   | 8000                | 0.6                     | 4.61 x 10 <sup>-2</sup>                   | 2.18                    |
| 7.5         | BN074G0472+-  | 250/115 | 4.7nF | 1    | 9.3             | 8.2   | 3.3    | 8000   | 12,000              | 0.6                     | 6.88 x 10 <sup>-5</sup>                   | 0.05                    |
| 7.5         | BN074G0682+-  |         | 6.8nF | 1    | 9.3             | 8.2   | 3.3    | 8000   | 12,000              | 0.6                     | 9.61 x 10 <sup>-4</sup>                   | 0.08                    |
| 7.5         | BN074G0103+-  |         | 10nF  | 1    | 9.3             | 8.2   | 3.3    | 8000   | 12,000              | 0.6                     | 2.45 x 10 <sup>-4</sup>                   | 0.14                    |
| 7.5         | BN074G0223+-  |         | 22nF  | 1    | 9.3             | 8.2   | 3.3    | 8000   | 12,000              | 0.6                     | 3.62 x 10 <sup>-4</sup>                   | 0.19                    |
| 7.5         | BN074G0333+-  |         | 33nF  | 1    | 9.3             | 8.2   | 3.3    | 8000   | 12,000              | 0.6                     | 4.52 x 10 <sup>-4</sup>                   | 0.21                    |
| 7.5         | BN074G0473+-  |         | 47nF  | 1    | 9.3             | 8.2   | 3.3    | 8000   | 12,000              | 0.6                     | 6.11 x 10 <sup>-4</sup>                   | 0.29                    |
| 7.5         | BN074G0104+-  |         | 100nF | 2    | 10.1            | 10.2  | 5.2    | 10,000 | 14,000              | 0.6                     | 1.85 x 10 <sup>-3</sup>                   | 0.53                    |
| 7.5         | BN074G0224+-  |         | 220nF | D    | 10.1            | 12.2  | 6.2    | 8000   | 8000                | 0.6                     | 8.93 x 10 <sup>-3</sup>                   | 1.53                    |
| 7.5         | BN074I0102+-  | 400/200 | 1nF   | 1    | 9.3             | 8.2   | 3.3    | 8000   | 12,000              | 0.6                     | 1.10 x 10 <sup>-5</sup>                   | 0.02                    |
| 7.5         | BN074I0222+-  |         | 2.2nF | 1    | 9.3             | 8.2   | 3.3    | 8000   | 12,000              | 0.6                     | 3.63 x 10 <sup>-5</sup>                   | 0.03                    |
| 7.5         | BN074I0332+-  |         | 3.3nF | 1    | 9.3             | 8.2   | 3.3    | 8000   | 12,000              | 0.6                     | 5.09 x 10 <sup>-5</sup>                   | 0.04                    |
| 7.5         | BN074I0472+-  |         | 4.7nF | 1    | 9.3             | 8.2   | 3.3    | 8000   | 12,000              | 0.6                     | 6.88 x 10 <sup>-5</sup>                   | 0.05                    |
| 7.5         | BN074I0103+-  |         | 10nF  | 1    | 9.3             | 8.2   | 3.3    | 8000   | 12,000              | 0.6                     | 2.45 x 10 <sup>-4</sup>                   | 0.14                    |
| 7.5         | BN074I0223+-  |         | 22nF  | 1    | 9.3             | 8.2   | 3.3    | 8000   | 12,000              | 0.6                     | 3.62 x 10 <sup>-4</sup>                   | 0.19                    |
| 7.5         | BN074I0333+-  |         | 33nF  | 2    | 10.1            | 10.2  | 5.2    | 10,000 | 14,000              | 0.6                     | 1.44 x 10 <sup>-3</sup>                   | 0.38                    |
| 7.5         | BN074I0473+-  |         | 47nF  | 2    | 10.1            | 10.2  | 5.2    | 10,000 | 14,000              | 0.6                     | 1.65 x 10 <sup>-3</sup>                   | 0.40                    |
| 7.5         | BN074I0683+-  | 68nF    | C     | 10.1 | 11.2            | 5.2   | 10,000 | 12,000 | 0.6                 | 3.46 x 10 <sup>-3</sup> | 0.59                                      |                         |
| 7.5         | BN074I0823+-  | 82nF    | D     | 10.1 | 12.2            | 6.2   | 8000   | 8000   | 0.6                 | 5.03 x 10 <sup>-3</sup> | 0.71                                      |                         |
| 7.5         | BN074K0102+-  | 630/220 | 1nF   | 1    | 9.3             | 8.2   | 3.3    | 8000   | 12,000              | 0.6                     | 9.0 x 10 <sup>-7</sup>                    | 0.027                   |
| 7.5         | BN074K0152+-  |         | 1.5nF | 1    | 9.3             | 8.2   | 3.3    | 8000   | 12,000              | 0.6                     | 2.0 x 10 <sup>-6</sup>                    | 0.027                   |
| 7.5         | BN074K0222+-  |         | 2.2nF | 1    | 9.3             | 8.2   | 3.3    | 8000   | 12,000              | 0.6                     | 2.3 x 10 <sup>-6</sup>                    | 0.027                   |
| 7.5         | BN074K0332+-  |         | 3.3nF | 1    | 9.3             | 8.2   | 3.3    | 8000   | 12,000              | 0.6                     | 2.5 x 10 <sup>-6</sup>                    | 0.027                   |
| 7.5         | BN074K0472+-  |         | 4.7nF | 1    | 9.3             | 8.2   | 3.3    | 8000   | 12,000              | 0.6                     | 5.7 x 10 <sup>-6</sup>                    | 0.027                   |
| 7.5         | BN074K0682+-  |         | 6.8nF | 2    | 10.1            | 10.2  | 5.2    | 10,000 | 14,000              | 0.6                     | 1.2 x 10 <sup>-5</sup>                    | 0.14                    |
| 7.5         | BN074K0103+-  |         | 10nF  | 2    | 10.1            | 10.2  | 5.2    | 10,000 | 14,000              | 0.6                     | 2.6 x 10 <sup>-5</sup>                    | 0.14                    |
| 7.5         | BN074K0153+-  |         | 15nF  | C    | 10.1            | 11.2  | 5.2    | 10,000 | 12,000              | 0.6                     | 5.8 x 10 <sup>-5</sup>                    | 0.22                    |
| 7.5         | BN074K0223+-  |         | 22nF  | D    | 10.1            | 12.2  | 6.2    | 8000   | 8000                | 0.6                     | 1.2 x 10 <sup>-4</sup>                    | 0.34                    |
| 7.5         | BN074K0273+-  |         | 27nF  | D    | 10.1            | 12.2  | 6.2    | 8000   | 8000                | 0.6                     | 1.8 x 10 <sup>-4</sup>                    | 0.34                    |

Replace the + by the tolerance code: J=5% - K=10% - M=20%

Replace the - - by the packaging suffix: - - = standard bulk - EN = taping on reel etc

<sup>(1)</sup>: MOQ for standard bulk suffix - -



Pitch = 10mm

## BN10

| Pitch mm | Ordering Code  | Vr-/Vr~ | Cr       | Case  | Dimensions (mm) |       |       | Reel   | MOQ                 |                         | ∅ +10%<br>-0.5 mm       | I <sup>2</sup> t<br>(A <sup>2</sup> .sec) | I <sub>rms</sub><br>(A) |                         |
|----------|----------------|---------|----------|-------|-----------------|-------|-------|--------|---------------------|-------------------------|-------------------------|---|-------------------------|-------------------------|
|          |                |         |          |       | L max           | H max | e max |        | Bulk <sup>(1)</sup> |                         |                         |   |                         |                         |
| 10       | BN104D0224+- - | 63/40   | 220nF    | E0    | 12.7            | 9.2   | 4.2   | 6800   | 14,000              | 0.6                     | 2.20 x 10 <sup>-3</sup> | 0.71                                      |                         |                         |
| 10       | BN104D0334+- - |         | 330nF    | E0    | 12.7            | 9.2   | 4.2   | 6800   | 14,000              |                         | 0.6                     | 3.54 x 10 <sup>-3</sup>                   | 0.73                    |                         |
| 10       | BN104D0474+- - |         | 470nF    | E0    | 12.7            | 9.2   | 4.2   | 6800   | 14,000              |                         | 0.6                     | 5.74 x 10 <sup>-3</sup>                   | 0.765                   |                         |
| 10       | BN104D0684+- - |         | 680nF    | E0    | 12.7            | 9.2   | 4.2   | 6800   | 14,000              |                         | 0.6                     | 6.84 x 10 <sup>-3</sup>                   | 0.837                   |                         |
| 10       | BN104D0105+- - |         | 1µF      | E0    | 12.7            | 9.2   | 4.2   | 6800   | 14,000              |                         | 0.6                     | 1.11 x 10 <sup>-2</sup>                   | 1.23                    |                         |
| 10       | BN104D0155+- - |         | 1.5µF    | 4     | 12.7            | 10.2  | 5.2   | 5600   | 10,000              |                         | 0.6                     | 2.50 x 10 <sup>-2</sup>                   | 1.83                    |                         |
| 10       | BN104D0225+- - |         | 2.2µF    | 5     | 12.7            | 13.6  | 5.2   | 5600   | 8000                |                         | 0.6                     | 5.37 x 10 <sup>-2</sup>                   | 2.685                   |                         |
| 10       | BN104E0683+- - |         | 68nF     | E0    | 12.7            | 9.2   | 4.2   | 6800   | 14,000              |                         | 0.6                     | 8.74 x 10 <sup>-4</sup>                   | 0.32                    |                         |
| 10       | BN104E0104+- - | 100nF   | E0       | 12.7  | 9.2             | 4.2   | 6800  | 14,000 | 0.6                 | 1.33 x 10 <sup>-3</sup> | 0.40                    |   |                         |                         |
| 10       | BN104E0154+- - | 150nF   | E0       | 12.7  | 9.2             | 4.2   | 6800  | 14,000 | 0.6                 | 1.47 x 10 <sup>-3</sup> | 0.667                   |   |                         |                         |
| 10       | BN104E0224+- - | 220nF   | E0       | 12.7  | 9.2             | 4.2   | 6800  | 14,000 | 0.6                 | 2.20 x 10 <sup>-3</sup> | 0.71                    |   |                         |                         |
| 10       | BN104E0334+- - | 330nF   | E0       | 12.7  | 9.2             | 4.2   | 6800  | 14,000 | 0.6                 | 3.54 x 10 <sup>-3</sup> | 0.73                    |   |                         |                         |
| 10       | BN104E0474+- - | 470nF   | E0       | 12.7  | 9.2             | 4.2   | 6800  | 14,000 | 0.6                 | 5.74 x 10 <sup>-3</sup> | 0.765                   |   |                         |                         |
| 10       | BN104E0684+- - | 680nF   | 4        | 12.7  | 10.2            | 5.2   | 5600  | 10,000 | 0.6                 | 1.20 x 10 <sup>-2</sup> | 1.107                   |   |                         |                         |
| 10       | BN104E0105+- - | 1000nF  | 5        | 12.7  | 13.6            | 5.2   | 5600  | 8000   | 0.6                 | 2.60 x 10 <sup>-2</sup> | 1.629                   |   |                         |                         |
| 10       | BN104G0333+- - | 250/115 | 33nF     | E0    | 12.7            | 9.2   | 4.2   | 6800   | 14,000              | 0.6                     | 4.86 x 10 <sup>-4</sup> | 0.21                                      |                         |                         |
| 10       | BN104G0473+- - |         | 47nF     | E0    | 12.7            | 9.2   | 4.2   | 6800   | 14,000              |                         | 0.6                     | 6.01 x 10 <sup>-4</sup>                   | 0.26                    |                         |
| 10       | BN104G0683+- - |         | 68nF     | E0    | 12.7            | 9.2   | 4.2   | 6800   | 14,000              |                         | 0.6                     | 8.74 x 10 <sup>-4</sup>                   | 0.32                    |                         |
| 10       | BN104G0104+- - |         | 100nF    | E0    | 12.7            | 9.2   | 4.2   | 6800   | 14,000              |                         | 0.6                     | 1.33 x 10 <sup>-3</sup>                   | 0.4                     |                         |
| 10       | BN104G0154+- - |         | 150nF    | E0    | 12.7            | 9.2   | 4.2   | 6800   | 14,000              |                         | 0.6                     | 1.47 x 10 <sup>-3</sup>                   | 0.5                     |                         |
| 10       | BN104G0224+- - |         | 220nF    | 4     | 12.7            | 10.2  | 5.2   | 5600   | 10,000              |                         | 0.6                     | 3.16 x 10 <sup>-3</sup>                   | 0.73                    |                         |
| 10       | BN104G0334+- - |         | 330nF    | 4     | 12.7            | 10.2  | 5.2   | 5600   | 10,000              |                         | 0.6                     | 7.11 x 10 <sup>-3</sup>                   | 1.1                     |                         |
| 10       | BN104G0474+- - |         | 470nF    | 5     | 12.7            | 13.6  | 5.2   | 5600   | 8000                |                         | 0.6                     | 1.44 x 10 <sup>-2</sup>                   | 1.57                    |                         |
| 10       | BN104I0472+- - |         | 400/200  | 4.7nF | E0              | 12.7  | 9.2   | 4.2    | 6800                |                         | 14,000                  | 0.6                                       | 6.03 x 10 <sup>-5</sup> | 0.043                   |
| 10       | BN104I0682+- - |         |          | 6.8nF | E0              | 12.7  | 9.2   | 4.2    | 6800                |                         | 14,000                  |   | 0.6                     | 9.96 x 10 <sup>-5</sup> |
| 10       | BN104I0103+- - | 10nF    |          | E0    | 12.7            | 9.2   | 4.2   | 6800   | 14,000              | 0.6                     | 1.13 x 10 <sup>-4</sup> |   | 0.088                   |                         |
| 10       | BN104I0153+- - | 15nF    |          | E0    | 12.7            | 9.2   | 4.2   | 6800   | 14,000              | 0.6                     | 1.70 x 10 <sup>-4</sup> |   | 0.129                   |                         |
| 10       | BN104I0223+- - | 22nF    |          | E0    | 12.7            | 9.2   | 4.2   | 6800   | 14,000              | 0.6                     | 3.31 x 10 <sup>-4</sup> |   | 0.157                   |                         |
| 10       | BN104I0333+- - | 33nF    |          | E0    | 12.7            | 9.2   | 4.2   | 6800   | 14,000              | 0.6                     | 4.66 x 10 <sup>-4</sup> |   | 0.213                   |                         |
| 10       | BN104I0473+- - | 47nF    |          | E0    | 12.7            | 9.2   | 4.2   | 6800   | 14,000              | 0.6                     | 6.01 x 10 <sup>-4</sup> |   | 0.26                    |                         |
| 10       | BN104I0683+- - | 68nF    |          | 4     | 12.7            | 10.2  | 5.2   | 5600   | 10,000              | 0.6                     | 1.26 x 10 <sup>-3</sup> |   | 0.35                    |                         |
| 10       | BN104I0104+- - | 100nF   |          | 5     | 12.7            | 13.6  | 5.2   | 5600   | 8000                | 0.6                     | 2.72 x 10 <sup>-3</sup> |   | 0.52                    |                         |
| 10       | BN104K0472+- - | 630/220 |          | 4.7nF | E0              | 12.7  | 9.2   | 4.2    | 6800                | 14,000                  | 0.6                     |   | 2.16 x 10 <sup>-5</sup> | 0.05                    |
| 10       | BN104K0682+- - |         | 6.8nF    | E0    | 12.7            | 9.2   | 4.2   | 6800   | 14,000              | 0.6                     |                         | 4.53 x 10 <sup>-5</sup>                   | 0.07                    |                         |
| 10       | BN104K0103+- - |         | 10nF     | E0    | 12.7            | 9.2   | 4.2   | 6800   | 14,000              | 0.6                     |                         | 9.74 x 10 <sup>-5</sup>                   | 0.08                    |                         |
| 10       | BN104K0153+- - |         | 15nF     | E0    | 12.7            | 9.2   | 4.2   | 6800   | 14,000              | 0.6                     |                         | 2.20 x 10 <sup>-4</sup>                   | 0.10                    |                         |
| 10       | BN104K0223+- - |         | 22nF     | 4     | 12.7            | 10.2  | 5.2   | 5600   | 10,000              | 0.6                     |                         | 4.74 x 10 <sup>-4</sup>                   | 0.14                    |                         |
| 10       | BN104K0333+- - |         | 33nF     | 4     | 12.7            | 10.2  | 5.2   | 5600   | 10,000              | 0.6                     |                         | 7.41 x 10 <sup>-4</sup>                   | 0.18                    |                         |
| 10       | BN104K0473+- - |         | 47nF     | 5     | 12.7            | 13.6  | 5.2   | 5600   | 8000                | 0.6                     |                         | 9.16 x 10 <sup>-4</sup>                   | 0.24                    |                         |
| 10       | BN104L0102+- - |         | 1000/450 | 1nF   | E0              | 12.7  | 9.2   | 4.2    | 6800                | 14,000                  |                         | 0.6                                       | 1.8 x 10 <sup>-5</sup>  | 0.05                    |
| 10       | BN104L0152+- - | 1.5nF   |          | E0    | 12.7            | 9.2   | 4.2   | 6800   | 14,000              | 0.6                     | 4.00 x 10 <sup>-5</sup> |   | 0.05                    |                         |
| 10       | BN104L0222+- - | 2.2nF   |          | E0    | 12.7            | 9.2   | 4.2   | 6800   | 14,000              | 0.6                     | 7.00 x 10 <sup>-5</sup> |   | 0.08                    |                         |
| 10       | BN104L0332+- - | 3.3nF   |          | 4     | 12.7            | 10.2  | 5.2   | 5600   | 10,000              | 0.6                     | 1.24 x 10 <sup>-4</sup> |   | 0.14                    |                         |
| 10       | BN104L0472+- - | 4.7nF   |          | 5     | 12.7            | 13.6  | 5.2   | 5600   | 8000                | 0.6                     | 2.51 x 10 <sup>-4</sup> |   | 0.22                    |                         |
| 10       | BN104L0682+- - | 6.8nF   |          | 5     | 12.7            | 13.6  | 5.2   | 5600   | 8000                | 0.6                     | 5.26 x 10 <sup>-4</sup> |   | 0.26                    |                         |

Replace the + by the tolerance code: J=5% - K=10% - M=20%  
 Replace the - - by the packaging suffix: - - = standard bulk - EN = taping on reel etc  
<sup>(1)</sup>: MOQ for standard bulk suffix - -

# BN 07/10/15/22/27



Pitch = 15mm

## BN15

| Pitch mm | Ordering Code | Vr-/Vr~  | Cr      | Case  | Dimensions (mm) |       |       | MOQ  |                     | ∅ +10%<br>-0.5 mm | I <sup>2</sup> t<br>(A <sup>2</sup> .sec) | I <sub>rms</sub><br>(A) |       |
|----------|---------------|----------|---------|-------|-----------------|-------|-------|------|---------------------|-------------------|---|-------------------------|-------|
|          |               |          |         |       | L max           | H max | e max | Reel | Bulk <sup>(1)</sup> |                   |   |                         |       |
| 15       | BN154D0684+-  | 63/40    | 680nF   | 6     | 17.7            | 10.6  | 5.2   | 4000 | 6000                | 0.8               | 1.22 x 10 <sup>-2</sup>                   | 0.83                    |       |
| 15       | BN154D0105+-  |          | 1µF     | 6     | 17.7            | 10.6  | 5.2   | 4000 | 6000                | 0.8               | 2.12 x 10 <sup>-2</sup>                   | 0.96                    |       |
| 15       | BN154D0155+-  |          | 1.5µF   | 6     | 17.7            | 10.6  | 5.2   | 4000 | 6000                | 0.8               | 3.60 x 10 <sup>-2</sup>                   | 1.43                    |       |
| 15       | BN154D0225+-  |          | 2.2µF   | 6     | 17.7            | 10.6  | 5.2   | 4000 | 6000                | 0.8               | 4.38 x 10 <sup>-2</sup>                   | 1.783                   |       |
| 15       | BN154D0335+-  |          | 3.3µF   | 10    | 17.7            | 12.2  | 6.2   | 4000 | 6000                | 0.8               | 9.86 x 10 <sup>-2</sup>                   | 2.674                   |       |
| 15       | BN154D0475+-  |          | 4.7µF   | 9     | 17.7            | 14.6  | 8.7   | 2500 | 8000                | 0.8               | 4.19 x 10 <sup>-1</sup>                   | 3.808                   |       |
| 15       | BN154D0685+-  |          | 6.8µF   | 9     | 17.7            | 14.6  | 8.7   | 2500 | 8000                | 0.8               | 2.00 x 10 <sup>-1</sup>                   | 5.50                    |       |
| 15       | BN154D0825+-  |          | 8.2µF   | 9     | 17.7            | 14.6  | 8.7   | 2500 | 8000                | 0.8               | 6.09 x 10 <sup>-1</sup>                   | 6.200                   |       |
| 15       | BN154E0154+-  |          | 100/63  | 150nF | 6               | 17.7  | 10.6  | 5.2  | 4000                | 6000              | 0.8                                       | 4.35 x 10 <sup>-3</sup> | 0.43  |
| 15       | BN154E0224+-  | 220nF    |         | 6     | 17.7            | 10.6  | 5.2   | 4000 | 6000                | 0.8               | 5.53 x 10 <sup>-3</sup>                   | 0.64                    |       |
| 15       | BN154E0334+-  | 330nF    |         | 6     | 17.7            | 10.6  | 5.2   | 4000 | 6000                | 0.8               | 1.13 x 10 <sup>-2</sup>                   | 0.72                    |       |
| 15       | BN154E0474+-  | 470nF    |         | 6     | 17.7            | 10.6  | 5.2   | 4000 | 6000                | 0.8               | 1.33 x 10 <sup>-2</sup>                   | 0.96                    |       |
| 15       | BN154E0105+-  | 1µF      |         | 6     | 17.7            | 10.6  | 5.2   | 4000 | 6000                | 0.8               | 1.71 x 10 <sup>-2</sup>                   | 0.96                    |       |
| 15       | BN154E0155+-  | 1.5µF    |         | 6     | 17.7            | 10.6  | 5.2   | 4000 | 6000                | 0.8               | 3.60 x 10 <sup>-2</sup>                   | 1.43                    |       |
| 15       | BN154E0225+-  | 2.2µF    |         | 10    | 17.7            | 12.2  | 6.2   | 4000 | 6000                | 0.8               | 8.20 x 10 <sup>-2</sup>                   | 2.111                   |       |
| 15       | BN154E0335+-  | 3.3µF    |         | 9     | 17.7            | 14.6  | 8.7   | 2500 | 8000                | 0.8               | 1.85 x 10 <sup>-1</sup>                   | 3.168                   |       |
| 15       | BN154E0475+-  | 4.7µF    |         | 9     | 17.7            | 14.6  | 8.7   | 2500 | 8000                | 0.8               | 3.74 x 10 <sup>-1</sup>                   | 4.51                    |       |
| 15       | BN154G0104+-  | 250/115  | 100nF   | 6     | 17.7            | 10.6  | 5.2   | 4000 | 6000                | 0.8               | 2.58 x 10 <sup>-3</sup>                   | 0.38                    |       |
| 15       | BN154G0154+-  |          | 150nF   | 6     | 17.7            | 10.6  | 5.2   | 4000 | 6000                | 0.8               | 4.35 x 10 <sup>-3</sup>                   | 0.43                    |       |
| 15       | BN154G0224+-  |          | 220nF   | 6     | 17.7            | 10.6  | 5.2   | 4000 | 6000                | 0.8               | 5.57 x 10 <sup>-3</sup>                   | 0.64                    |       |
| 15       | BN154G0334+-  |          | 330nF   | 6     | 17.7            | 10.6  | 5.2   | 4000 | 6000                | 0.8               | 7.51 x 10 <sup>-3</sup>                   | 0.72                    |       |
| 15       | BN154G0474+-  |          | 470nF   | 6     | 17.7            | 10.6  | 5.2   | 4000 | 6000                | 0.8               | 1.17 x 10 <sup>-2</sup>                   | 1.024                   |       |
| 15       | BN154G0684+-  |          | 680nF   | 10    | 17.7            | 12.2  | 6.2   | 4000 | 6000                | 0.8               | 2.44 x 10 <sup>-2</sup>                   | 1.483                   |       |
| 15       | BN154G0105+-  |          | 1µF     | 9     | 17.7            | 14.6  | 8.7   | 2500 | 8000                | 0.8               | 5.28 x 10 <sup>-2</sup>                   | 2.178                   |       |
| 15       | BN154G0155+-  |          | 1.5µF   | 9     | 17.7            | 14.6  | 8.7   | 2500 | 8000                | 0.8               | 1.19 x 10 <sup>-1</sup>                   | 3.267                   |       |
| 15       | BN154I0473+-  |          | 400/200 | 47nF  | 6               | 17.7  | 10.6  | 5.2  | 4000                | 6000              | 0.8                                       | 1.19 x 10 <sup>-3</sup> | 0.191 |
| 15       | BN154I0683+-  | 68nF     |         | 6     | 17.7            | 10.6  | 5.2   | 4000 | 6000                | 0.8               | 1.59 x 10 <sup>-3</sup>                   | 0.28                    |       |
| 15       | BN154I0104+-  | 100nF    |         | 6     | 17.7            | 10.6  | 5.2   | 4000 | 6000                | 0.8               | 2.58 x 10 <sup>-3</sup>                   | 0.38                    |       |
| 15       | BN154I0154+-  | 150nF    |         | 6     | 17.7            | 10.6  | 5.2   | 4000 | 6000                | 0.8               | 4.35 x 10 <sup>-3</sup>                   | 0.43                    |       |
| 15       | BN154I0224+-  | 220nF    |         | 10    | 17.7            | 12.2  | 6.2   | 4000 | 6000                | 0.8               | 9.37 x 10 <sup>-3</sup>                   | 0.70                    |       |
| 15       | BN154I0334+-  | 330nF    |         | 9     | 17.7            | 14.6  | 8.7   | 2500 | 8000                | 0.8               | 2.11 x 10 <sup>-2</sup>                   | 1.05                    |       |
| 15       | BN154I0474+-  | 470nF    |         | 9     | 17.7            | 14.6  | 8.7   | 2500 | 8000                | 0.8               | 4.27 x 10 <sup>-2</sup>                   | 1.50                    |       |
| 15       | BN154K0333+-  | 630/220  |         | 33nF  | 6               | 17.7  | 10.6  | 5.2  | 4000                | 6000              | 0.8                                       | 4.90 x 10 <sup>-4</sup> | 0.14  |
| 15       | BN154K0473+-  |          |         | 47nF  | 6               | 17.7  | 10.6  | 5.2  | 4000                | 6000              | 0.8                                       | 8.73 x 10 <sup>-4</sup> | 0.20  |
| 15       | BN154K0683+-  |          | 68nF    | 10    | 17.7            | 12.2  | 6.2   | 4000 | 6000                | 0.8               | 4.11 x 10 <sup>-3</sup>                   | 0.32                    |       |
| 15       | BN154K0104+-  |          | 100nF   | 10    | 17.7            | 12.2  | 6.2   | 4000 | 6000                | 0.8               | 4.50 x 10 <sup>-3</sup>                   | 0.46                    |       |
| 15       | BN154K0154+-  |          | 150nF   | 9     | 17.7            | 14.6  | 8.7   | 2500 | 8000                | 0.8               | 1.00 x 10 <sup>-2</sup>                   | 0.70                    |       |
| 15       | BN154L0682+-  | 1000/450 | 6.8nF   | 6     | 17.7            | 10.6  | 5.2   | 4000 | 6000                | 0.8               | 1.11 x 10 <sup>-4</sup>                   | 0.14                    |       |
| 15       | BN154L0103+-  |          | 10nF    | 6     | 17.7            | 10.6  | 5.2   | 4000 | 6000                | 0.8               | 2.41 x 10 <sup>-4</sup>                   | 0.22                    |       |
| 15       | BN154L0223+-  |          | 22nF    | 9     | 17.7            | 14.6  | 8.7   | 2500 | 6000                | 0.8               | 1.17 x 10 <sup>-3</sup>                   | 0.60                    |       |
| 15       | BN154L0333+-  |          | 33nF    | 9     | 17.7            | 14.6  | 8.7   | 2500 | 8000                | 0.8               | 2.62 x 10 <sup>-3</sup>                   | 0.76                    |       |

Replace the + by the tolerance code: J=5% - K=10% - M=20%

Replace the - - by the packaging suffix: - - = standard bulk - EN = taping on reel etc

<sup>(1)</sup>: MOQ for standard bulk suffix - -

# BN 07/10/15/22/27



Pitch = 22.5mm/27.5mm

## BN22

Pitch = 22.5mm

| Pitch mm | Ordering Code | Vr-/Vr~ | Cr    | Case | Dimensions (mm) |       |       | MOQ  |                     | ∅ +10%<br>-0.5 mm       | I <sup>2</sup> t<br>(A <sup>2</sup> .sec) | Irms<br>(A) |
|----------|---------------|---------|-------|------|-----------------|-------|-------|------|---------------------|-------------------------|---|-------------|
|          |               |         |       |      | L max           | H max | e max | Reel | Bulk <sup>(1)</sup> |                         |   |             |
| 22.5     | BN224D0685+-  | 63/40   | 6.8µF | 11   | 26.7            | 15.2  | 7.7   |      | 1600                | 0.8                     | 1.39 x 10 <sup>-1</sup>                   | 2.09        |
| 22.5     | BN224D0106+-  |         | 10µF  | 12   | 26.7            | 17.6  | 7.7   |      | 1600                | 0.8                     | 3.01 x 10 <sup>-1</sup>                   | 3.07        |
| 22.5     | BN224D0156+-  |         | 15µF  | 13   | 26.7            | 19.6  | 10.2  |      | 1200                | 0.8                     | 6.77 x 10 <sup>-1</sup>                   | 4.6         |
| 22.5     | BN224E0225+-  | 100/63  | 2.2µF | 11   | 26.7            | 15.2  | 7.7   |      | 1600                | 0.8                     | 2.59 x 10 <sup>-2</sup>                   | 1.08        |
| 22.5     | BN224E0335+-  |         | 3.3µF | 11   | 26.7            | 15.2  | 7.7   |      | 1600                | 0.8                     | 5.82 x 10 <sup>-2</sup>                   | 1.60        |
| 22.5     | BN224E0475+-  |         | 4.7µF | 11   | 26.7            | 15.2  | 7.7   |      | 1600                | 0.8                     | 1.18 x 10 <sup>-1</sup>                   | 2.30        |
| 22.5     | BN224E0685+-  |         | 6.8µF | 13   | 26.7            | 19.6  | 10.2  |      | 1200                | 0.8                     | 2.47 x 10 <sup>-1</sup>                   | 3.30        |
| 22.5     | BN224E0825+-  |         | 8.2µF | 13   | 26.7            | 19.6  | 10.2  |      | 1200                | 0.8                     | 3.59 x 10 <sup>-1</sup>                   | 4.00        |
| 22.5     | BN224G0105+-  | 250/115 | 1µF   | 11   | 26.7            | 15.2  | 7.7   |      | 1600                | 0.8                     | 1.64 x 10 <sup>-2</sup>                   | 1.14        |
| 22.5     | BN224G0155+-  |         | 1.5µF | 11   | 26.7            | 15.2  | 7.7   |      | 1600                | 0.8                     | 3.68 x 10 <sup>-2</sup>                   | 1.71        |
| 22.5     | BN224G0225+-  |         | 2.2µF | 12   | 26.7            | 17.6  | 7.7   |      | 1600                | 0.8                     | 7.92 x 10 <sup>-1</sup>                   | 2.50        |
| 22.5     | BN224G0335+-  |         | 3.3µF | 13   | 26.7            | 19.6  | 10.2  |      | 1200                | 0.8                     | 1.78 x 10 <sup>-1</sup>                   | 3.74        |
| 22.5     | BN224I0334+-  | 400/200 | 330nF | 11   | 26.7            | 15.2  | 7.7   |      | 1600                | 0.8                     | 3.64 x 10 <sup>-3</sup>                   | 0.383       |
| 22.5     | BN224I0474+-  |         | 470nF | 11   | 26.7            | 15.2  | 7.7   |      | 1600                | 0.8                     | 7.38 x 10 <sup>-3</sup>                   | 0.54        |
| 22.5     | BN224I0684+-  |         | 680nF | 11   | 26.7            | 15.2  | 7.7   |      | 1600                | 0.8                     | 1.54 x 10 <sup>-2</sup>                   | 0.80        |
| 22.5     | BN224I0105+-  |         | 1µF   | 12   | 26.7            | 17.6  | 7.7   |      | 1600                | 0.8                     | 3.34 x 10 <sup>-2</sup>                   | 1.16        |
| 22.5     | BN224I0155+-  |         | 1.5µF | 13   | 26.7            | 19.6  | 10.2  |      | 1200                | 0.8                     | 7.52 x 10 <sup>-2</sup>                   | 1.75        |
| 22.5     | BN224K0154+-  | 630/220 | 150nF | 11   | 26.7            | 15.2  | 7.7   |      | 1600                | 0.8                     | 2.17 x 10 <sup>-3</sup>                   | 0.38        |
| 22.5     | BN224K0224+-  |         | 220nF | 11   | 26.7            | 15.2  | 7.7   |      | 1600                | 0.8                     | 4.66 x 10 <sup>-3</sup>                   | 0.54        |
| 22.5     | BN224K0334+-  |         | 330nF | 12   | 26.7            | 17.6  | 7.7   |      | 1600                | 0.8                     | 1.05 x 10 <sup>-2</sup>                   | 0.74        |
| 22.5     | BN224K0474+-  |         | 470nF | 13   | 26.7            | 19.6  | 10.2  |      | 1200                | 0.8                     | 2.13 x 10 <sup>-2</sup>                   | 1.18        |
| 22.5     | BN224K0564+-  |         | 560nF | 13   | 26.7            | 19.6  | 10.2  |      | 1200                | 0.8                     | 3.02 x 10 <sup>-2</sup>                   | 1.40        |
| 22.5     | BN224L0333+-  |         | 33nF  | 11   | 26.7            | 15.2  | 7.7   |      | 1600                | 0.8                     | 2.64 x 10 <sup>-3</sup>                   | 0.28        |
| 22.5     | BN224L0473+-  | 47nF    | 11    | 26.7 | 15.2            | 7.7   |       | 1600 | 0.8                 | 5.35 x 10 <sup>-3</sup> | 0.40                                      |             |
| 22.5     | BN224L0683+-  | 68nF    | 12    | 26.7 | 17.6            | 7.7   |       | 1600 | 0.8                 | 1.12 x 10 <sup>-2</sup> | 0.60                                      |             |
| 22.5     | BN224L0104+-  | 100nF   | 13    | 26.7 | 19.6            | 10.2  |       | 1200 | 0.8                 | 2.42 x 10 <sup>-2</sup> | 0.86                                      |             |
| 22.5     | BN224L0124+-  | 120nF   | 13    | 26.7 | 19.6            | 10.2  |       | 1200 | 0.8                 | 3.49 x 10 <sup>-2</sup> | 1.00                                      |             |

Replace the + by the tolerance code : J=5% - K=10% - M=20%

Replace the - by the packaging suffix : - = standard bulk - EN = taping on reel etc

<sup>(1)</sup>: MOQ for standard bulk suffix - -

## BN27

Pitch = 27.5mm

| Pitch mm | Ordering Code | Vr-/Vr~  | Cr      | Case  | Dimensions (mm) |       |       | MOQ  |                     | ∅ +10%<br>-0.5 mm       | I <sup>2</sup> t<br>(A <sup>2</sup> .sec) | Irms<br>(A)             |      |
|----------|---------------|----------|---------|-------|-----------------|-------|-------|------|---------------------|-------------------------|---|-------------------------|------|
|          |               |          |         |       | L max           | H max | e max | Reel | Bulk <sup>(1)</sup> |                         |   |                         |      |
| 27.5     | BN274D0156+-  | 63/40    | 15µF    | 16    | 31.7            | 19.6  | 10.2  |      | 960                 | 0.8                     | 4.07 x 10 <sup>-1</sup>                   | 3.57                    |      |
| 27.5     | BN274D0206+-  |          | 20µF    | 16    | 31.7            | 19.6  | 10.2  |      | 960                 | 0.8                     | 7.24 x 10 <sup>-1</sup>                   | 4.80                    |      |
| 27.5     | BN274E0825+-  | 100/63   | 8.2µF   | 16    | 31.7            | 19.6  | 10.2  |      | 960                 | 0.8                     | 2.16 x 10 <sup>-1</sup>                   | 3.12                    |      |
| 27.5     | BN274E0106+-  |          | 10µF    | 16    | 31.7            | 19.6  | 10.2  |      | 960                 | 0.8                     | 3.22 x 10 <sup>-1</sup>                   | 3.80                    |      |
| 27.5     | BN274E0126+-  |          | 12µF    | 16    | 31.7            | 19.6  | 10.2  |      | 960                 | 0.8                     | 4.63 x 10 <sup>-1</sup>                   | 4.56                    |      |
| 27.5     | BN274G0335+-  | 250/115  | 3.3µF   | 16    | 31.7            | 19.6  | 10.2  |      | 960                 | 0.8                     | 1.07 x 10 <sup>-1</sup>                   | 2.9                     |      |
| 27.5     | BN274G0395+-  |          | 3.9µF   | 16    | 31.7            | 19.6  | 10.2  |      | 960                 | 0.8                     | 1.50 x 10 <sup>-1</sup>                   | 3.42                    |      |
| 27.5     | BN274G0475+-  |          | 4.7µF   | P0    | 31.7            | 22.6  | 13.7  |      | 1600                | 0.8                     | 2.18 x 10 <sup>-1</sup>                   | 4.17                    |      |
| 27.5     | BN274G0685+-  |          | 6.8µF   | P0    | 31.7            | 22.6  | 13.7  |      | 1600                | 0.8                     | 4.56 x 10 <sup>-1</sup>                   | 6.00                    |      |
| 27.5     | BN274G0106+-  |          | 10µF    | 18    | 31.7            | 26.2  | 15.2  |      | 1280                | 0.8                     | 9.85 x 10 <sup>-1</sup>                   | 6.20                    |      |
| 27.5     | BN274G0156+-  |          | 15µF    | 26    | 31.7            | 31.6  | 21.2  |      | 448                 | 0.8                     | 2.77                                      | 6.20                    |      |
| 27.5     | BN274G0226+-  |          | 22µF *  | R68   | 32              | 37    | 22    |      | 384                 | 0.8                     | 5.96                                      | 6.20                    |      |
| 27.5     | BN274I0155+-  |          | 400/200 | 1.5µF | 16              | 31.7  | 19.6  | 10.2 |                     | 960                     | 0.8                                       | 4.52 x 10 <sup>-2</sup> | 1.43 |
| 27.5     | BN274I0225+-  |          |         | 2.2µF | P0              | 31.7  | 22.6  | 13.7 |                     | 1600                    | 0.8                                       | 9.73 x 10 <sup>-2</sup> | 1.98 |
| 27.5     | BN274I0335+-  |          |         | 3.3µF | P0              | 31.7  | 22.6  | 13.7 |                     | 1600                    | 0.8                                       | 2.19 x 10 <sup>-1</sup> | 2.98 |
| 27.5     | BN274I0475+-  | 4.7µF    |         | 18    | 31.7            | 26.2  | 15.2  |      | 1280                | 0.8                     | 4.44 x 10 <sup>-1</sup>                   | 4.23                    |      |
| 27.5     | BN274I0685+-  | 6.8µF    |         | 19    | 31.7            | 30.2  | 17.7  |      | 1040                | 0.8                     | 9.30 x 10 <sup>-1</sup>                   | 6.10                    |      |
| 27.5     | BN274I0106+-  | 10µF *   |         | R68   | 32              | 37    | 22    |      | 384                 | 0.8                     | 2.01                                      | 6.20                    |      |
| 27.5     | BN274K0564+-  | 560nF    |         | 16    | 31.7            | 19.6  | 10.2  |      | 960                 | 0.8                     | 1.77 x 10 <sup>-2</sup>                   | 1.61                    |      |
| 27.5     | BN274K0684+-  | 680nF    | 16      | 31.7  | 19.6            | 10.2  |       | 960  | 0.8                 | 2.61 x 10 <sup>-2</sup> | 1.70                                      |                         |      |
| 27.5     | BN274K0105+-  | 1µF      | P0      | 31.7  | 22.6            | 13.7  |       | 1600 | 0.8                 | 5.69 x 10 <sup>-2</sup> | 1.90                                      |                         |      |
| 27.5     | BN274K0225+-  | 2.2µF    | 19      | 31.7  | 30.2            | 17.7  |       | 1040 | 0.8                 | 2.73 x 10 <sup>-1</sup> | 4.20                                      |                         |      |
| 27.5     | BN274K0335+-  | 3.3µF *  | R68     | 32    | 37              | 22    |       | 384  | 0.8                 | 6.14 x 10 <sup>-1</sup> | 6.20                                      |                         |      |
| 27.5     | BN274K0435+-  | 4.3µF *  | R68     | 32    | 37              | 22    |       | 384  | 0.8                 | 1.04                    | 6.20                                      |                         |      |
| 27.5     | BN274L0124+-  | 1000/450 | 120nF   | 16    | 31.7            | 19.6  | 10.2  |      | 960                 | 0.8                     | 1.82 x 10 <sup>-2</sup>                   | 0.76                    |      |
| 27.5     | BN274L0224+-  |          | 220nF   | P0    | 31.7            | 22.6  | 13.7  |      | 1600                | 0.8                     | 6.12 x 10 <sup>-2</sup>                   | 1.38                    |      |
| 27.5     | BN274L0334+-  |          | 330nF   | 18    | 31.7            | 26.2  | 15.2  |      | 1280                | 0.8                     | 1.38 x 10 <sup>-1</sup>                   | 2.08                    |      |
| 27.5     | BN274L0474+-  |          | 470nF   | 19    | 31.7            | 30.2  | 17.7  |      | 1040                | 0.8                     | 2.79 x 10 <sup>-1</sup>                   | 2.96                    |      |
| 27.5     | BN274L0684+-  |          | 680nF   | 26    | 31.7            | 31.6  | 21.2  |      | 448                 | 0.8                     | 5.85 x 10 <sup>-1</sup>                   | 4.28                    |      |
| 27.5     | BN274L0914+-  |          | 910nF * | R68   | 32              | 37    | 22    |      | 384                 | 0.8                     | 1.05                                      | 5.72                    |      |

\*only available standard bulk: no special lead length

Replace the + by the tolerance code: J=5% - K=10% - M=20%

Replace the - by the packaging suffix: - = standard bulk - EN = taping on reel etc

For values bigger -> see FFB range

<sup>(1)</sup>: MOQ for standard bulk suffix - -

