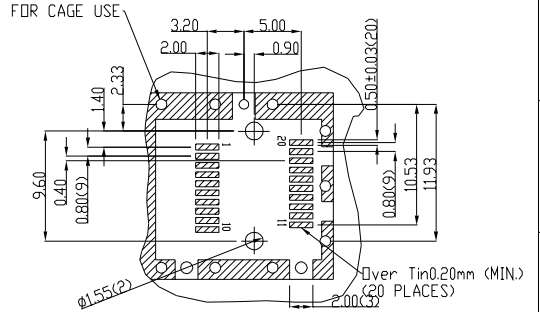
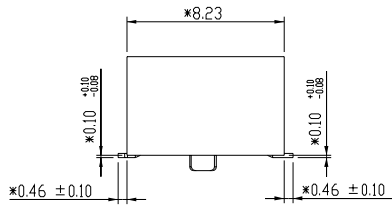
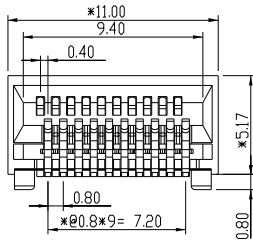


*COPLANARITY 0.12mm MAX.(20)



PCB LAYOUT (CONNECTOR) / TOP VIEW



NOTE:

MECHANICAL:

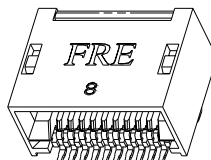
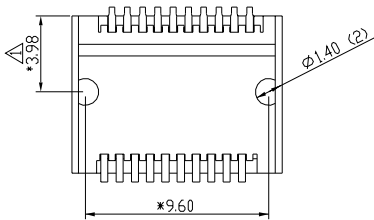
CONNECTOR MATERIAL:

- HOUSING-HIGH TEMPERATURE THERMOPLASTIC GLASS FIBER UL94V-0. STANDARD COLOR :BLACK.
- CONTACT: PHOS-BRONZE THICKNESS=0.20mm. : SELECTIVE GOLD PLATING
- DURABILITY:250 CYCLES MIN.

ELECTRICAL:

- VOLTAGE RATING : 30 VAC RMS MAX.
- CURRENT RATING : 0.5 AMP MAX.
- DIFFERENTIAL IMPEDANCE : 100 Ωms.
- CAPACITANCE:1.2pF MAX.
- CONTACT RESISTANCE: 20 MILLIOHMS MAX.
- INSULATION RESISTANCE: 500 MEGOHMS MIN.
- TEMPERATURE:
WAVE SOLDER TEMPERATURE SUGGEST 250°C~270°C.
OPERATING TEMPERATURE: -40°C to +85°C
STORAGE TEMPERATURE: -40°C to +85°C
- RoHS COMPLIANT.

PART NUMBER	GOLD PLATING
E81M0-VCYF83-L	15u"
E81M0-VCYF84-L	30u"
E81M0-VCYF85-L	50u"



SCALE 4:1

TITLE: SFP CONNECTOR			
DATE: 08/10/2006		DRAWING NO: CE813A34-LA	
SCALE: 5:1		SHEET 1 OF 1	

8 | 7 | 6 | 5 | 4 | 3 | 2 | 1

H
G
F
E
D
C
B
A