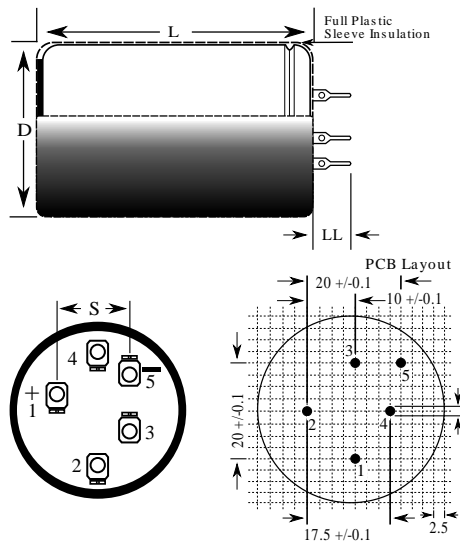


A621HN102Q250AV550

aka ALP20A102DE250

Capacitor, aluminum, 1000 uF, -10/+30% Tol, -40/+85C, 250V@85C



Dimensions (mm)

ID	Dimension	Tolerance
D	40	+/-1
L	75	+/-2
S	20	+/-0.1
LL	7.5	+/-0.5
F	1.3	

Specifications

Manufacturer:	KEMET
Capacitance:	1000 uF
Rated Temperature:	85C
Voltage @ rated temp:	250V
VDC Surge:	287.5WVDC
Life @ rated temp:	26000 h
Temperature Range:	-40/+85C
RoHS:	Yes
Low ESR:	Yes
Low Impedance:	Yes
Tolerance:	-10/+30%
Part Type Description:	Radial Cylindrical Aluminum Electrolytic
Style:	Radial Cylindrical
Lead Type:	Special
Lead Form:	Solder Pin
Lead Specification:	5pin
Leakage Current:	1.5 mA
Leakage Condition:	5min/20c
Miscellaneous Electrical:	series (ALP20)
Package Kind:	Bulk