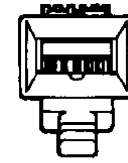
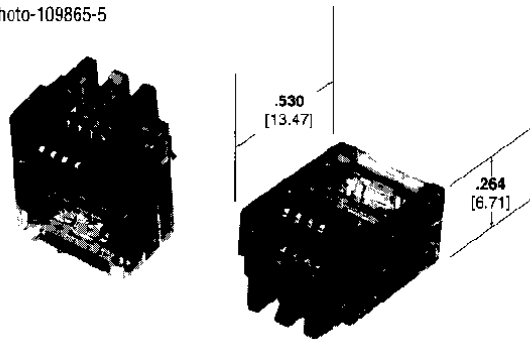


Unshielded Modular Plugs

2-, 4-, 6-Position

Photo-109865-5



Flat Oval Cable



Round Cable

| Description | Plug Part Numbers | | | | | |
|---|-------------------|------------|------------|---------|-------------------|------------|
| | Strip | 10,000/Box | 1,000/Box | 500/Box | 100/Box | 25/Bag |
| 6/2-Position Flat Oval Stranded Line | N/A | N/A | 5-641333-2 | N/A | 5-641333-3 | N/A |
| 6/4-Position Flat Oval Solid Line | N/A | N/A | 5-556384-2 | N/A | 5-556384-3 | N/A |
| 6/4-Position Flat Oval Stranded Line | 641335-1 | 5-641335-1 | 5-641335-2 | N/A | 5-641335-3 | 5-641335-7 |
| 6/4-Position Round Solid Line | N/A | N/A | N/A | N/A | 5-569030-3 | N/A |
| 6/4-Position Round Stranded Line | N/A | N/A | 5-569031-2 | N/A | 5-569031-3 | 5-569031-4 |
| 6/4-Position Flat Oval Small Solid Conductor Line* | N/A | N/A | 5-557965-2 | N/A | 5-557965-3 | N/A |
| 6/4-Position Flat Oval Small Stranded Conductor Line* | N/A | N/A | 5-557967-2 | N/A | 5-557967-3 | N/A |
| 6/6-Position Flat Oval Solid Line | 555042-1 | N/A | 5-555042-2 | N/A | 5-555042-3 | 5-555042-4 |
| 6/6-Position Flat Oval Stranded Line | 641337-1 | 5-641337-1 | 5-641337-2 | N/A | 5-641337-3 | 5-641337-4 |
| 6/6-Position Round Solid Line | N/A | N/A | 5-569032-2 | N/A | 5-569032-3 | N/A |
| 6/6-Position Round Stranded Line | 554710-1 | N/A | 5-554710-2 | N/A | 5-554710-3 | 5-554710-4 |
| 6/6-Position Flat Oval Small Solid Conductor Line* | N/A | N/A | 5-557970-2 | N/A | 5-557970-3 | N/A |
| 6/6-Position Flat Oval Small Stranded Conductor Line* | N/A | N/A | N/A | N/A | 5-557971-3 | N/A |

*Small conductor products are for .029 - .034 [.737 - .864] OD conductors. Small Conductor product housings are tinted blue to differentiate from Standard Product.

Standard products cover .029 - .039 [.737 - .991] when a small conductor product does not exist.

- Note:**
1. On any modular plug, Terminal No. 1 is the terminal to the extreme left as you face the cable opening, latch tab down.
 2. For appropriate cable specifications and termination procedures, refer to Application Specifications 114-6016 & 114-6053