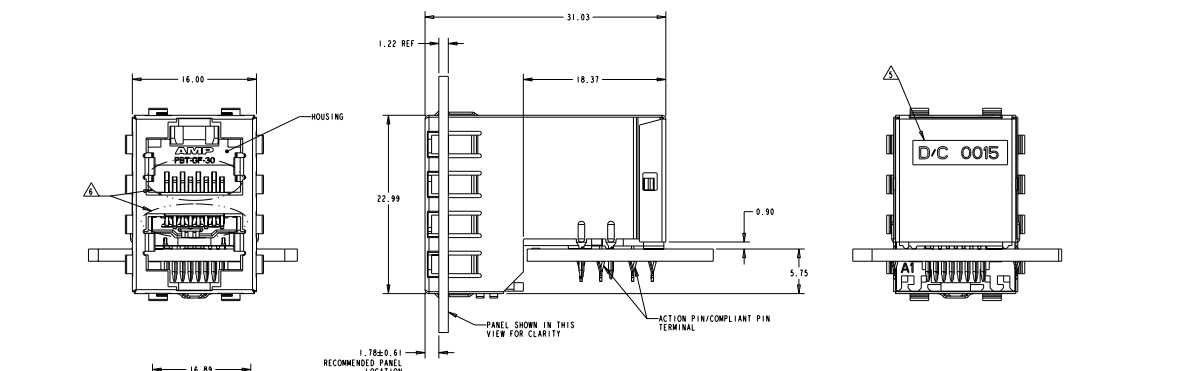
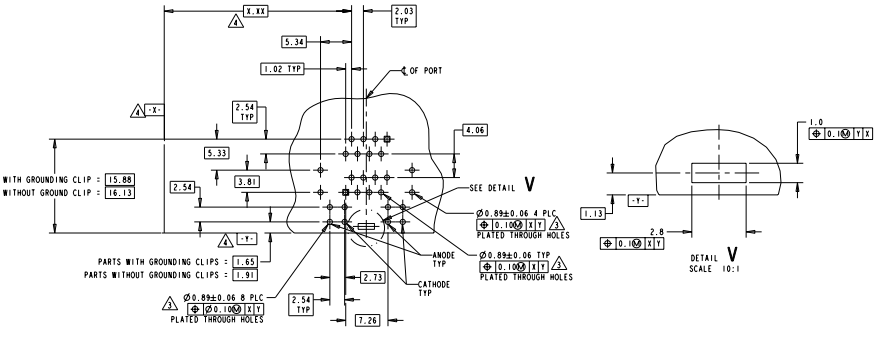
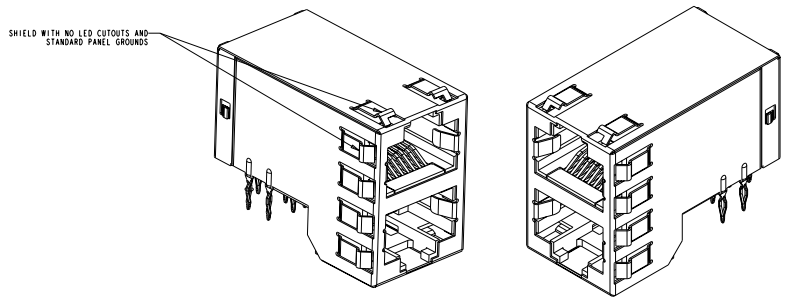
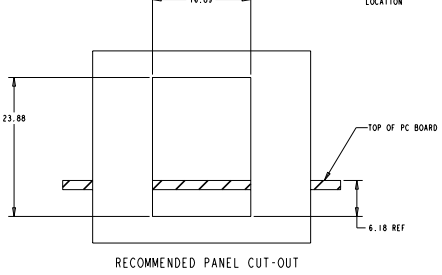


REV	DATE	DESCRIPTION	BY	CHK	APP
B	REV PER ECO-05-010452		MHC/MS	RG	MY
C	ECO-07-510988		TRO/THP	LAN	JW
D	ECO-08-000900		TRO/THP	LAN	JW
E	ECO-08-020011		TRO/THP	JT	ST



**6368168-1 SHOWN SHEET 1**

- MATERIAL:
  - HOUSING - PBT POLYESTER, BLACK, UL 94V-0
  - TERMINALS - 0.33 THICK PHOS BRONZE PLATED WITH 1.27µm MINIMUM THICK HARD GOLD IN LOCALIZED AREA AND 2µm MINIMUM THICK MATTE TIN IN ACTION PIN COMPLIANT PIN TERMINAL AREA OVER 1.27µm MINIMUM THICK NICKEL UNDERPLATE
  - SHIELD - 0.25 THICK COPPER ALLOY PLATED WITH 2.03µm MINIMUM BRIGHT TIN OVER 1.27µm MINIMUM NICKEL
  - GROUNDING CLIP - 2.03 µm MIN MATTE TIN OVER COPPER, PRE-PLATED COPPER ALLOY
  - LED - DIFFUSED EPOXY LENS 2.29 µm SILVER OVER NICKEL PRE-PLATED CARBON STEEL LEADS
  - ACTION PIN - COMPLIANT PIN CONTACTS 0.3 THICK BRASS PLATED WITH 2-4µm BRIGHT TIN.
- JACK CAVITY CONFORMS TO FCC RULES AND REGULATIONS, PART 68 SUBPART F.
  - DRILLED HOLE DIA : 1.029±0.025
  - COPPER THICKNESS : 0.025±0.015
  - TIN-LEAD THICKNESS : .008
  - DATUMS AND BASIC DIMENSIONS ESTABLISHED BY CUSTOMER
  - DATE CODE LOCATED ON REAR OF PART APPROXIMATELY AS SHOWN
  - CONTACTS ARE NOT INTENDED TO BE ALIGNED WITH EACH OTHER



LED #4	LED #3	LED #2	LED #1	GROUNDING CLIP	SHIELD STYLE	PART NUMBER
GREEN	GREEN	YELLOW	YELLOW	YES	WITH LED PORTS	6368168-6
GREEN	GREEN	GREEN	GREEN	YES	WITH LED PORTS	6368168-5
YELLOW	YELLOW	GREEN	GREEN	YES	WITH LED PORTS	6368168-4
N/A	N/A	N/A	N/A	YES	WITHOUT LED PORTS	6368168-2
N/A	N/A	N/A	N/A	NO	WITHOUT LED PORTS	6368168-1

DATE: 07/2005  
 REVISION: 07/2005  
 DRAWING NO: 100-1854  
 PROJECT: 100-1854  
 DRAWN: JTG  
 CHECKED: JTG  
 APPROVED: JTG

TRID Electronics Corporation  
 Harrisburg, PA 17105-3600

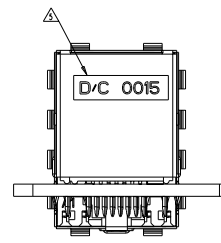
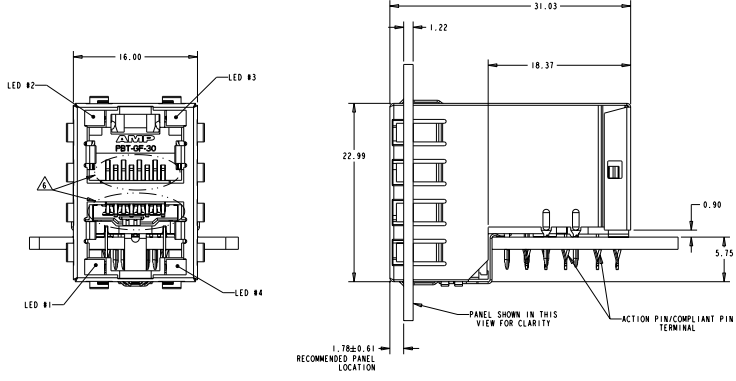
STACKED MODULAR JACK ASSEMBLY,  
 2X1, 8 POSITION, SHIELDED  
 PANEL GROUND, OFFSET, CAT 5

SCALE CODE: 100000000  
 00779 ©=6368168

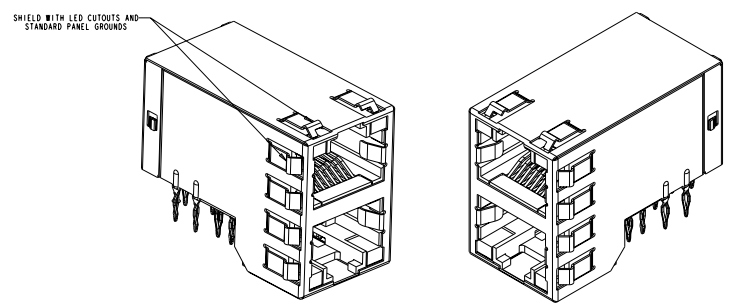
CUSTOMER DRAWING

DATE SHOWN IN DIMENSIONS RECEIVED FOR FABRICATION  
 BY THIS ELECTRONICS CORPORATION. ALL RIGHTS RESERVED

REV		REVISIONS	
NO.	DATE	DESCRIPTION	BY
AA	00	SEE SHEET 1	



**6368168-6 SHOWN SHEET 2**



DATE: 07/20/2005 TIME: 10:00 AM DRAWN: J. WILSON CHECKED: J. WILSON APPROVED: J. WILSON PART NO: 6368168-6 REV: 00 SHEET: 2 OF 2	DATE: 07/20/2005 TIME: 10:00 AM DRAWN: J. WILSON CHECKED: J. WILSON APPROVED: J. WILSON PART NO: 6368168-6 REV: 00 SHEET: 2 OF 2	DATE: 07/20/2005 TIME: 10:00 AM DRAWN: J. WILSON CHECKED: J. WILSON APPROVED: J. WILSON PART NO: 6368168-6 REV: 00 SHEET: 2 OF 2	DATE: 07/20/2005 TIME: 10:00 AM DRAWN: J. WILSON CHECKED: J. WILSON APPROVED: J. WILSON PART NO: 6368168-6 REV: 00 SHEET: 2 OF 2
---	---	---	---

THD Electronics Corporation  
 Harrisburg, PA 17105-3600

STACKED MODULAR JACK ASSEMBLY,  
 2X1: 8 POSITION, SHIELDED  
 PANEL GROUND, OFFSET, CAT 5

00779 ©=6368168

CUSTOMER DRAWING