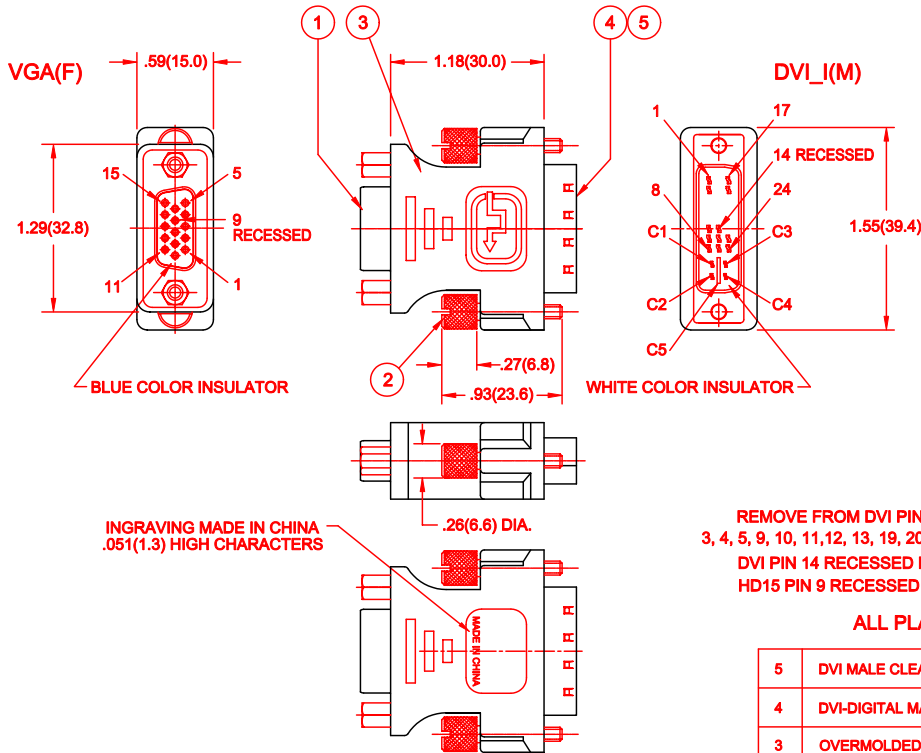


THIS IS A C.A.D. GENERATED DRAWING
DO NOT MAKE MANUAL REVISIONS TO MASTER.

ISSUE NUMBER
ORIGINAL ①



SHELL	SHELL	GROUND
6, 7, 8	C5	ANALOG GROUND
13	C4	HORIZONTAL SYNC
3	C3	ANALOG BLUE
2	C2	ANALOG GREEN
1	C1	ANALOG RED
5, 10	15	GROUND (+5V AND HV SYNC)
9	14, 16	POWER +5V/HOT PLUG DETECT
14	8	VERTICAL SYNC
12	7	DDC DATA
15	6	DDC CLOCK
VGA	DVI	CABLE FUNCTION

CONTACTS CONNECTIONS

REMOVE FROM DVI PINS NO'S
3, 4, 5, 9, 10, 11, 12, 13, 19, 20, 21 AND 22
DVI PIN 14 RECESSED BY .030
HD15 PIN 9 RECESSED BY .050

ALL PLASTIC COMPONENTS MUST BE 94V-0 RATING

ITEM	DESCRIPTION
5	DVI MALE CLEAR PLASTIC COVER
4	DVI-DIGITAL MALE (PLUG) CONNECTOR WHITE COLOR
3	OVERMOLDED BODY BLACK COLOR
2	THUMBSCREW BRASS OR STEEL NICKEL PLATED
1	HD-15 FEMALE (RECEPTACLE) CONNECTOR BLUE COLOR (PANTONE BLUE 661C)

ELECTRICAL PERFORMANCE:

INSULATION RESISTANCE: 50M OHMS MIN. AT 500 VDC
DIELECTRIC WITSTANDING VOLTAGE: 500VDC R.M.S. FOR 1 MINUTE.
CURRENT RATING: 1.5 AMP. MAX.
CONTACT RESISTANCE: 1 OHM MAX.
OPERATING TEMPERATURE: -25°C TO +85°C
DURABILITY: 500 CYCLES

DVI_I(M) TO VGA(F) SHORT ADAPTER

ACAD REFERENCE NO. 628-000-924W

DRAWN: F.BRIONES DATE: JUL. 5/02

CHECKED: DATE:

SCALE: SHEET 1 OF 1

DRAWING NUMBER ISSUE

628-000-924B 1

EDAC
EDAC INC
TORONTO, ONTARIO
CANADA
YOUR CONNECTION TO QUALITY & SERVICE

THESE DRAWINGS AND SPECIFICATIONS
ARE THE PROPERTY OF EDAC INC. AND
SHALL NOT BE REPRODUCED, OR COPIED
OR USED AS THE BASIS FOR THE
MANUFACTURE OR SALE OF APPARATUS
WITHOUT WRITTEN PERMISSION.