

USB 2.0 INSTALLATION HOUSING-SET

Socket connector version – Plastic design – Bayonet locking type

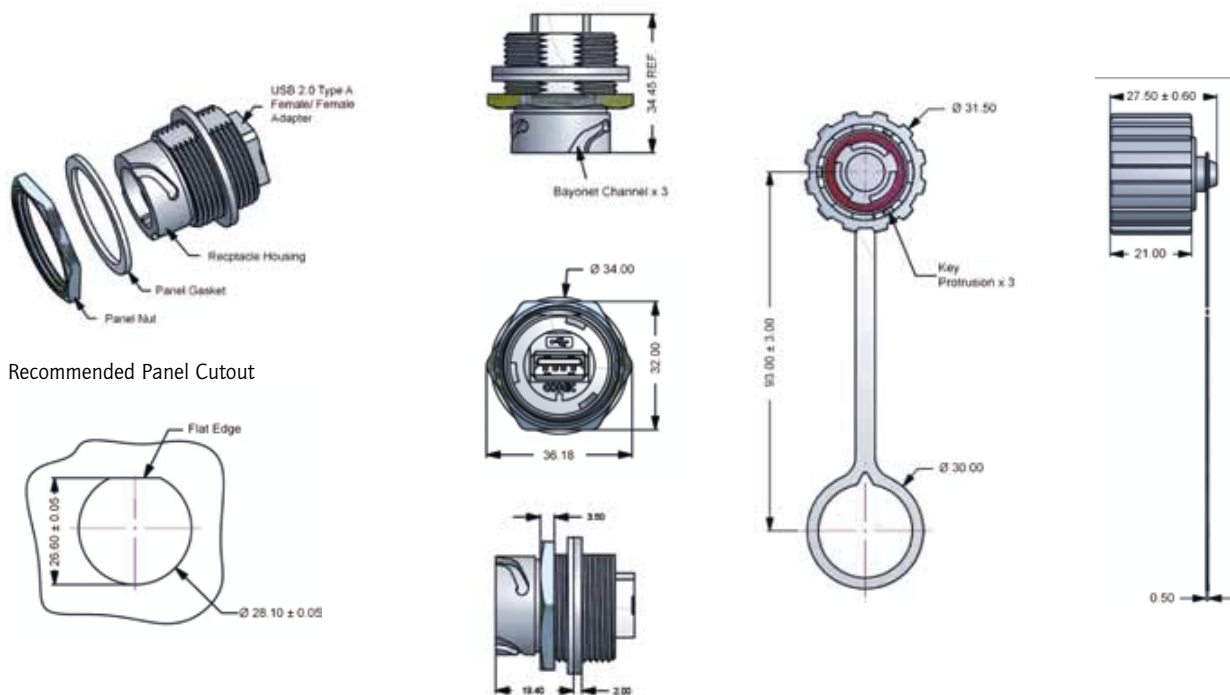


RoHS compliant

DESCRIPTION

- For front- and rear panel mounting up to wall thickness of .013"/3.2 mm
- Design: Black plastic
- Termination with USB 2.0 type A coupler, IP20 rated
- Bayonet locking per IEC 61076-3-106
- Available as housing with or without protection cap

PRODUCT DRAWING



ORDER DATA

Type	Material	Termination	Protection cap	Part Number
Installation housing	Black plastic	Bayonet locking	Without protection cap	17-200001
Installation housing	Black plastic	Bayonet locking	With protection cap	17-200161