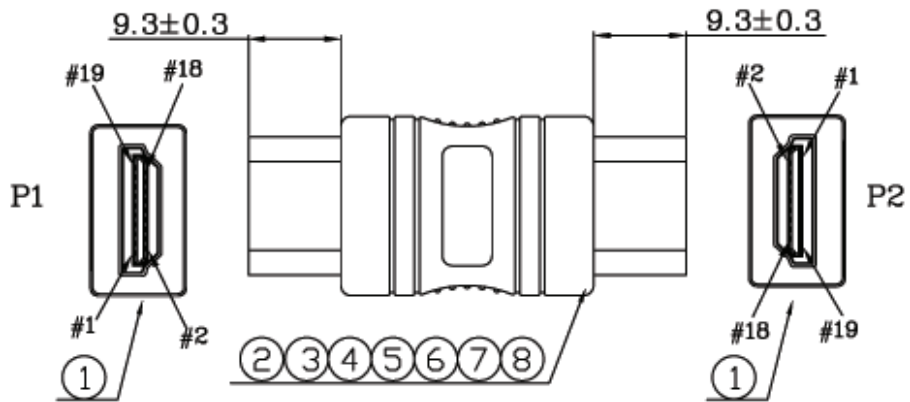


FILE NO: MGHDMI-00147

DESCRIPTION CONTROL			
REV	DESC	DATE	ECN NO



30
RoHS
compliant
20

PIN ASSIGNMENT	
P1	P2
1	1
3	3
2	2
4	4
6	6
5	5
7	7
9	9
8	8
10	10
12	12
11	11
13	13
15	15
16	16
17	17
19	19
18	18
S	S

NO	TYPE	DESCRIPTION	QTY	UNIT
*	XXXXXX	LABEL 50*25MM (見PB袋中間及紙箱插圖左上角)	403/400	PCS
*	330010004079	無毒標籤 35*22MM	42/400	PCS
*	390	PE BAG 30*28*0.08MM	1/400	PCS
*	390	CARTON 46*30*20CM	1/400	PCS
*	390	PE BAG 6*8*0.06MM	1/10	PCS
*	370	PE BAG 3.5*3.5*0.06MM	1	PCS
8	120010000031	PVC-BLACK 10/50	6.0	G
7	370	SOL-WIRE-FUL-TIN-1.2	2.0	G
6	370	FOIL-CU 18MM	45*1	MM
5	370	HI TEAMP TAPE W/8MM JL 70MM	1	PCS
4	370	PB-5321	3.5	G
3	220	SOL-WIRE-FULL-TIN-1.0	1.0	G
2	PDNA0015A	PCB : DN0015 (兩端第4PIN斷開)	1	PCS
1	110640000064	HDMI A type Conn , MALE (夾板式)	2	PCS

RoHS COMPLIANT

OUTER MOLDING	MG HDMI-HDMI166		
INNER MOLDING	MG HDMI-HDMI167		
ASSMANN Electronic Components		ITEM: AB562-R	REV: R
DRAW, BY: ZHONG		SCALE: NONE	DATE: 2006-10-31
CHECKED, BY:		PAGE: 1/1	
APPROVED, BY:			
ALL DIMENSIONS IN mm			