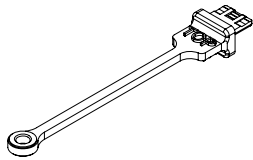
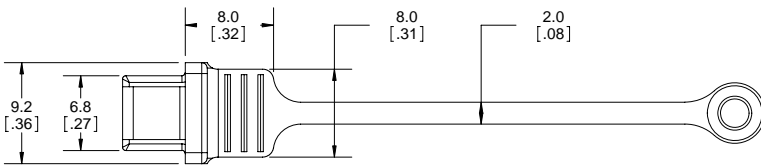
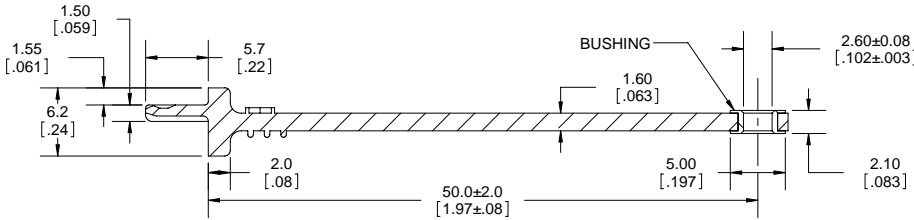
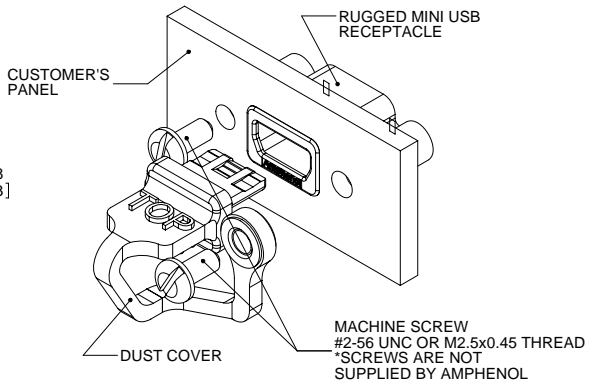
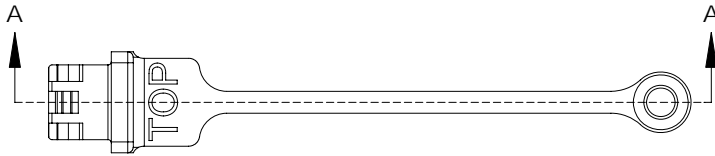


REVISIONS			
REV.	DESCRIPTION	DATE	APPROVED
C	REV PER ECN E09035	MAR31/09	A.G.



DO NOT SCALE DRAWING

THIS DOCUMENT CONTAINS PROPRIETARY INFORMATION AND SUCH INFORMATION MAY NOT BE DISCLOSED TO OTHERS FOR ANY PURPOSE OR USED FOR MANUFACTURING PURPOSES WITHOUT PERMISSION FROM AMPHENOL CANADA CORP.



NOTES

- MATERIAL:
 - RUBBER: SILICONE RUBBER, UL94V-0, SEE CHART FOR COLOUR
 - BUSHING: BRASS ALLOY, NICKEL PLATED.
- PART IS RoHS COMPLIANT PER EU DIRECTIVE 2002/95/EC AND AMENDMENTS.

AMPHENOL PART NUMBER	COLOUR
MUSB-2E151-005BP	GREY
MUSB-2E151-015BP	BLACK

UNLESS OTHERWISE SPECIFIED DIMENSIONS ARE IN MILLIMETERS [INCHES] TOLERANCES ARE:		APPROVALS		DATE		Amphenol Canada Corp.	
DECIMALS	ANGLES	DRAWN	DESIGNED	JUNE04/07	JUNE04/07		
X.X ± 0.3	± 1°	LAWRENCE KIM	LAWRENCE KIM			MUSB SERIES, DUST COVER FOR MINI USB, RoHS COMPLIANT	
X.XX ± 0.10			CHECKED				
MATERIAL AND FINISH	N/A		QA APP'D				
REF.	X	IE APP'D				SIZE A4 DWG. NO. P-MUSB-2E151-0X5BP REV. C	
CODE IDENT. NO.	03554	DWG APP'D	A.GREEN	JUNE04/07	SCALE	2:1 PROJECT SHEET	1 OF 1