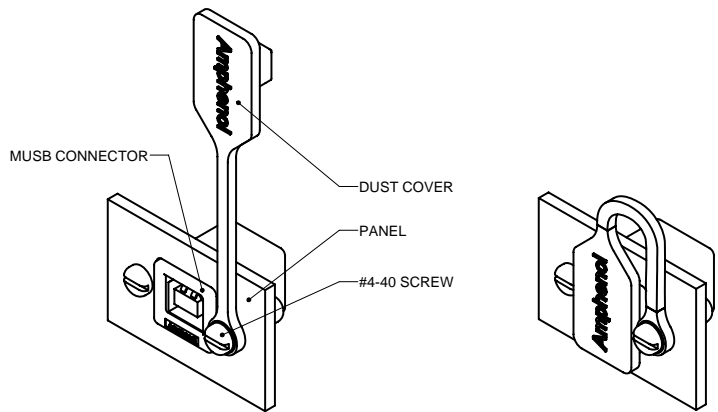
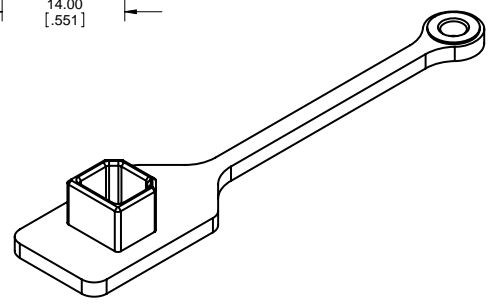
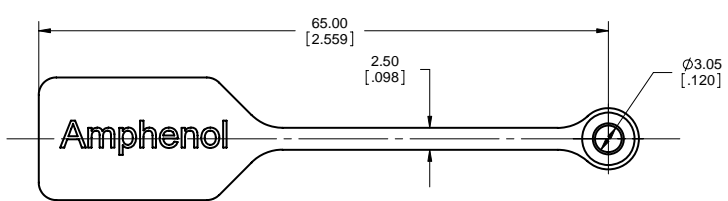
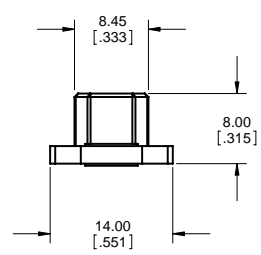
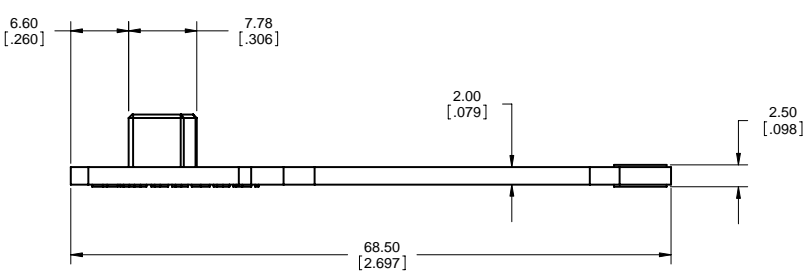


REVISIONS			
REV	DESCRIPTION, ECN, EAR NO.	DATE	APP'D
B	PRODUCT DRAWING (EAR 13713)	TBD	K.L.



TYPICAL APPLICATION MUSB CONNECTOR WITH DUST COVER
SCALE 2:1

AMPHENOL PART NUMBER	COVER COLOUR
MUSB-2D11-004BP	GREY
MUSB-2D11-014BP	BLACK

- NOTES:
- MATERIAL:
- DUST COVER - SILICONE RUBBER, COLOR - SEE TABLE FOR COLOUR.
- BUSHING - BRASS, NICKEL PLATED.
 - OPERATING TEMPERATURE: -40°C TO +105°C.
 - PART IS ROHS COMPLIANT PER EU DIRECTIVE 2002/95/EC AND AMENDMENTS.
 - PART SUPPLIED BULK PACKED.

UNLESS SPECIFIED OTHERWISE	DRAWN	S.SEMENOV	MAY04/06
PRIMARY UNITS MILLIMETERS	CHECKED		
SECONDARY INCHES	M.E. APP'D		
REFERENCE IN PARENTHESES	G.A. APP'D		
GENERAL TOLERANCES	DWG APPR.	K.BOUTROS	MAY04/06
1 DECIMAL PLACES	ENG. REL. NO.		
2 DECIMAL PLACES	REF.		
3 DECIMAL PLACES	THIRD ANGLE PROJECTION		
ANGULAR DEGREES	DO NOT SCALE DRAWING		

Amphenol Canada Corp.

DUST COVER FOR
MUSB TYPE B CONNECTOR,
RoHS COMPLIANT

DWG. NO. **P-MUSB-2D11-0X4BP**

CODE ID NO. 03554 DWG SIZE: C SCALE: 3:1 SHEET 1 OF 1

THIS DOCUMENT CONTAINS PROPRIETARY INFORMATION AND SUCH INFORMATION MAY NOT BE DISCLOSED TO OTHERS FOR ANY PURPOSE OR USED FOR MANUFACTURING PURPOSES WITHOUT WRITTEN PERMISSION FROM AMPHENOL CANADA CORP.