


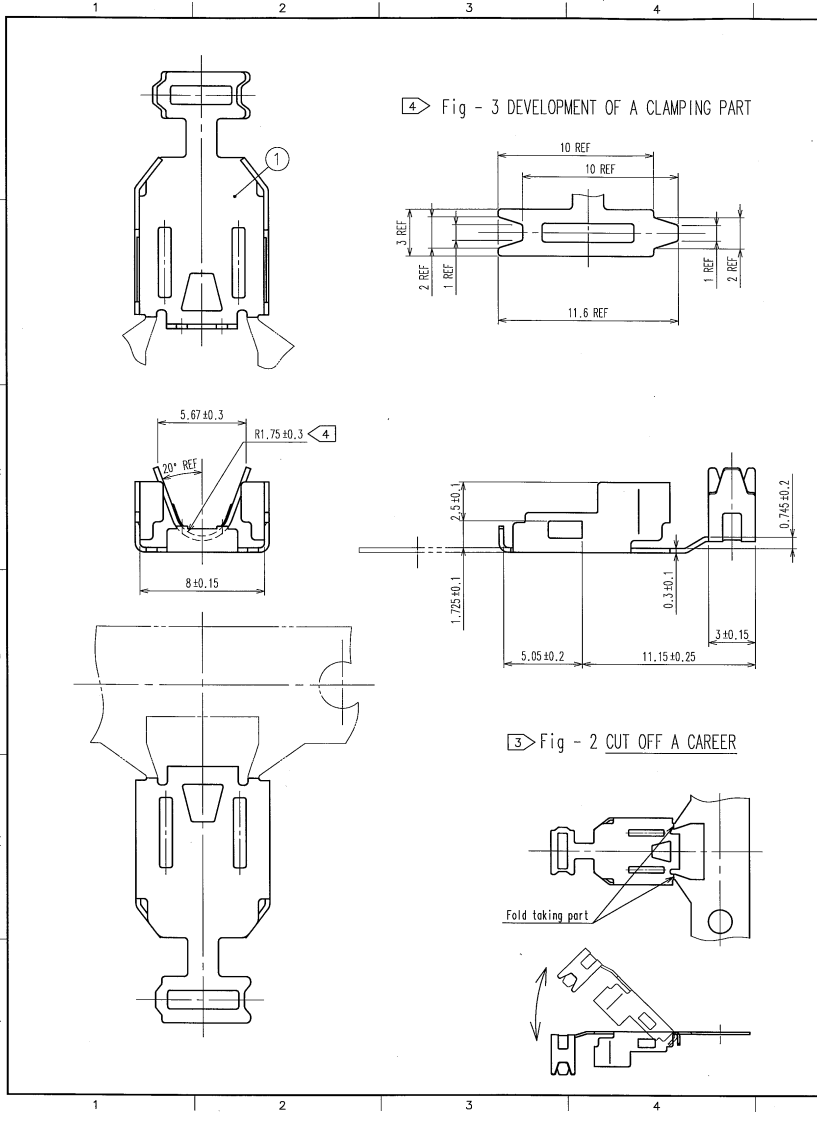
2008/01/11 17:12:22 HK. HORINO

DRAWING FOR REFERENCE: This is subject to change without notice

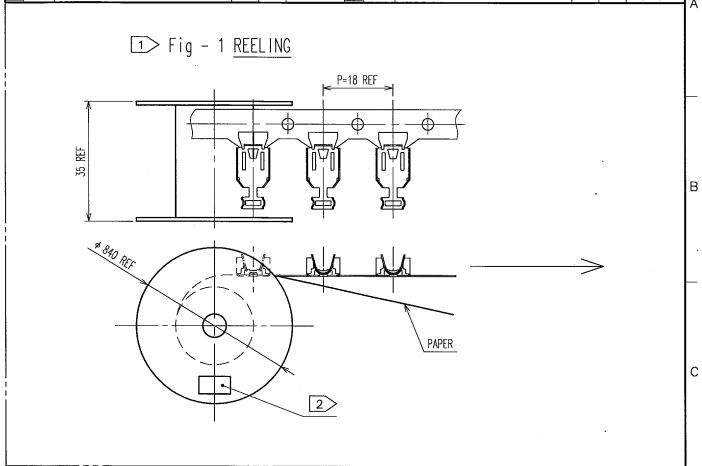
TO

COUNT	DESCRIPTION OF REVISIONS	BY	CHKD	DATE	COUNT	DESCRIPTION OF REVISIONS	BY	CHKD	DATE
△					△				
△					△				
APPLICABLE STANDARD		USB2.0 SPECIFICATION							
RATING	OPERATING TEMPERATURE RANGE	0 °C TO +50 °C			STORAGE TEMPERATURE RANGE	-20 °C TO +60 °C			
	VOLTAGE	-			OPERATING HUMIDITY RANGE	- % TO - %			
	CURRENT	-			APPLICABLE CABLE	USB CABLE (φ3.3)			
SPECIFICATIONS									
ITEM		TEST METHOD			REQUIREMENTS			QT	AT
CONSTRUCTION									
GENERAL EXAMINATION		VISUALLY AND BY MEASURING INSTRUMENT.			ACCORDING TO DRAWING.			×	×
MARKING		CONFIRMED VISUALLY.						×	×
REMARKS									
REMARKS					DRAWN	DESIGNED	CHECKED	APPROVED	RELEASED
					<i>Y. Takeuchi</i>	<i>Y. Takeuchi</i>	<i>N. Kobayashi</i>	<i>[Signature]</i>	
					06.11.17	06.11.17	06.11.17	06.11.21	
Note QT:Qualification Test AT:Assurance Test ×:Applicable Test									
 HIROSE ELECTRIC CO., LTD.					SPECIFICATION SHEET			PART NO. ZX40-SLDB(3.3)	
CODE NO.(OLD)			DRAWING NO.		CODE NO.			1/1	
CL			ELC4-126152		CL242-0023-4				

TO



COUNT	DESCRIPTION OF REVISIONS	BY	CHKD	DATE	COUNT	DESCRIPTION OF REVISIONS	BY	CHKD	DATE



- NOTES
- 1 This is delivered by a reel.QTY:4000pcs
 - 2 Shown on a reel and a box is ; * Part No.*, * Code No.*, * Lot No.*, * QTY*
 - 3 Cut off a career as shown in fig-2.
 - 4 This cable-clamping part is applied to φ 3.3mm cable.

CODE NO. (OLD)		1	STAINLESS STEEL		FINISH, REMARKS	
NO.		MATERIAL		FINISH, REMARKS		
DRAWN	DESIGNED	CHECKED	APPROVED	RELEASED		
<i>Y. Takeuchi</i>	<i>Y. Takeuchi</i>	<i>M. Nishiyama</i>	<i>[Signature]</i>			
06.11.21	06.11.21	06.11.21	06.11.21			
DRAWING NO.		PART NO.				
EDC3-126152		ZX40-SLDB(3.3)				
SCALE		CODE NO.				
4 : 1		CL242-0023-4				
UNITS						
HRS						
HIROSE ELECTRIC CO., LTD						
FORM NO. 229						