

NOTES :

1. MATERIAL :

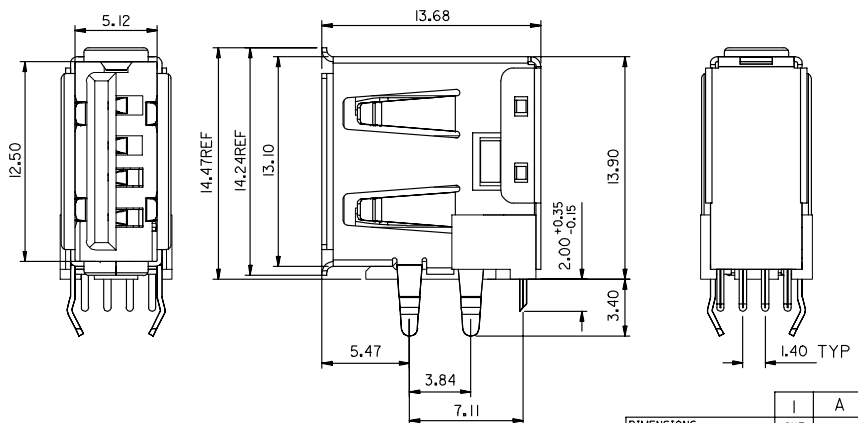
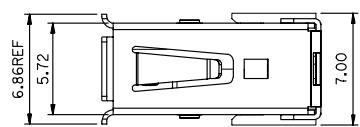
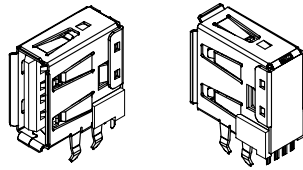
HOUSING : HIGH TEMPERATURE NYLON ,GLASS FIBER, UL94-V0 , COLOR: BLACK
 TERMINAL : PHOSPHOR BRONZE
 METAL SHELL : COPPER ALLOY

2. PLATING :

TERMINAL :
 CONTACT AREA : (a) GOLD FLASH.
 (b) GL0D (Au), THICKNESS = 30 MICROINCH/0.76 MICROMETER
 SOLDER TAIL : PURE TIN(Sn), THICKNESS= 75 MICROINCH /1.9 MICROMETER

UNDER PLATE : NICKEL (Ni), THICKNESS= 50 MICROINCH/1.27 MICROMETER
 METAL SHELL :
 PURE TIN(Sn), THICKNESS=50-100MICROINCH/1.27-2.54MICROMETER.
 UNDER PLATE : NICKEL (Ni), THICKNESS= 50 MICROINCH/1.27 MICROMETER

3 RECOMMENDED PCB THICKNESS : 1.20±0.05mm & 1.60±0.05mm
 4 PRODUCT SPECIFICATION : REFER TO PS-89485
 5 PACKAGING SPECIFICATION : REFER TO PK-67329-001



THE EDGE OF THE CONNECTOR

FULL R TYPE
 SCALE 8:1

NEW RELEASE	EC NO. DAVID HJ 2004/11/13 CHRG HARVEY 2004/11/13 APPR	DESCRIPTION	QUALITY SYMBOLS	GENERAL TOLERANCES: (UNLESS SPECIFIED)	SCALE 4:1	DESIGN UNITS <input checked="" type="checkbox"/> mm <input type="checkbox"/> INCH	THIRD ANGLE PROJECTION	DIMENSIONS:		I	A
			MAJOR = 0 CRITICAL = 0	mm INCH	DRAWN BY & DATE DAVID HJ 2004/11/13	<input type="checkbox"/> mm <input checked="" type="checkbox"/> INCH <input type="checkbox"/> mm ONLY	SHT	REV			
A	REV			4 PLACES ±0.15 ±.15	CHECKED BY & DATE HARVEY 2004/11/13		TITLE: USB"A" UP-RIGHT CONNECTOR FLANGE OUT TYPE (LEAD-FREE)		REVISE ON CAD ONLY		
				3 PLACES ±0.25 ±.25	APPROVED BY & DATE VINCENT 2004/11/13		MOLEX INCORPORATED				
				2 PLACES ±0.25 ±.25	CAD FILENAME SD4750002S01	MATERIAL NO. 47500-000*	DRAWING NO. SD-47500-002	SHEET NO. 1 OF 1		SIZE A3	
				1 PLACE ±0.25 ±.25	THIS DRAWING CONTAINS INFORMATION THAT IS PROPRIETARY TO MOLEX INCORPORATED AND SHOULD NOT BE USED WITHOUT WRITTEN PERMISSION.						

PART NUMBER LEGEND:

P/N	CONTACT PLATING
47500-0000	GOLD FLASH
47500-0001	0.76 MICROMETER/30 MICROINCH GOLD

ENG. NO.

EDP NO.

SIMILAR ITEM

CAD FILE NO.

DO NOT SCALE DRAWING

F

E

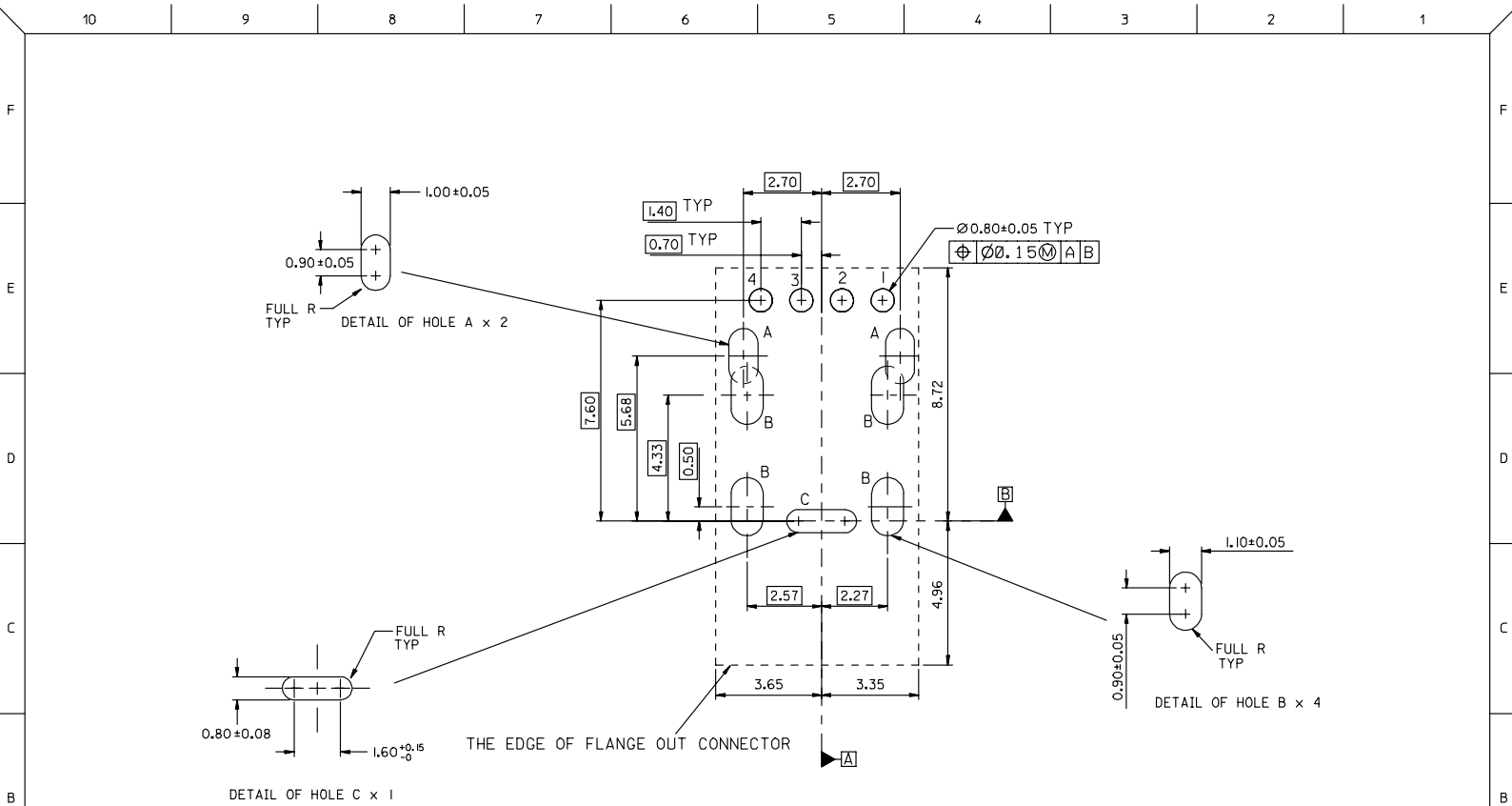
D

C

B

A

8 7 6 5 4 3 2 1



NEW RELEASE EC NO: SH2005-0144 DRWN: DAVID HU 2004/11/13 CHKD: HARVEY 2004/12/07 APPR: YITAP 2004/12/07	QUALITY SYMBOLS ▽=0 ▽=0	GENERAL TOLERANCES (UNLESS SPECIFIED)	DIMENSION STYLE MM ONLY		SCALE 8:1	DESIGN UNITS METRIC	THIRD ANGLE PROJECTION
			mm	INCH	TITLE RECOMMENDED PCB LAYOUT FOR FLANGE OUT & STANDARD USB'A' UP RIGHT CONNECTOR (LEAD-FREE)		
A	DESCRIPTION	4 PLACES ± --- ± ---	DRAWN BY DAVID HU 2004/11/13		DOCUMENT NO. SD-47500-003		
		3 PLACES ± --- ± ---	CHECKED BY HARVEY 2004/11/29		SHEET NO. 1 OF 1		
		2 PLACES ± 0.25 ± 0.10	APPROVED BY VINCENT 2004/11/29		MATERIAL NO. 47500-000*		
		1 PLACE ± 0.25 ± 0.10	SIZE A3				
		ANGULAR ± 3°	THIS DRAWING CONTAINS INFORMATION THAT IS PROPRIETARY TO MOLEX INCORPORATED AND SHOULD NOT BE USED WITHOUT WRITTEN PERMISSION				
		DRAFT WHERE APPLICABLE MUST REMAIN WITHIN DIMENSIONS					