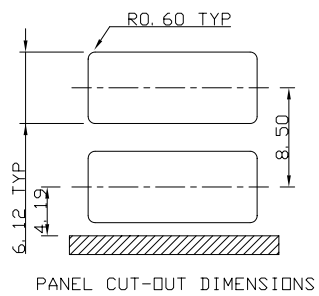
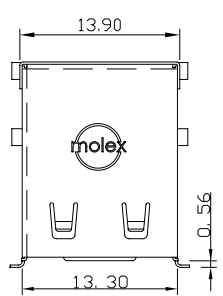
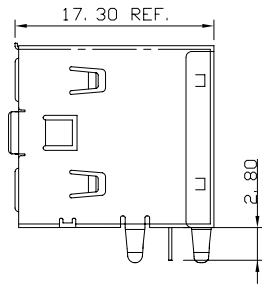
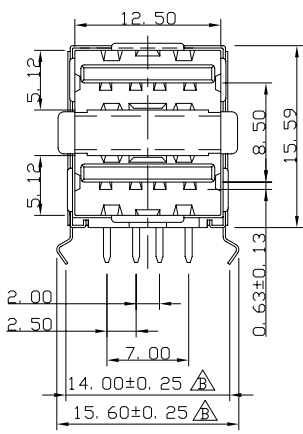


8 7 6 5 4 3 2 1

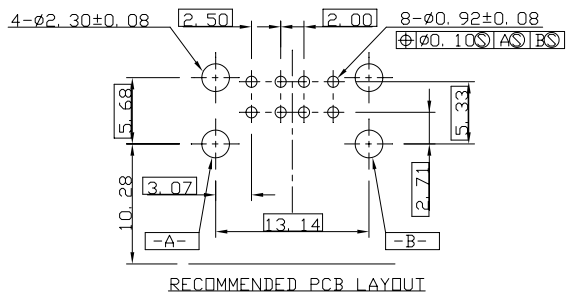


NOTE :

- MATERIAL :  
HOUSING : POLYESTER(PBT), 30% GLASS FIBER FILLED, UL94-V0, COLOR: WHITE OR BLACK  
TERMINAL : PHOSPHOR BRONZE  
METAL SHELL : SPCC & SUS
- PLATING :  
TERMINAL :  
CONTACT AREA : SEE TABLE  
SOLDER TAIL : TIN-LEAD (Sn-Pb) ALLOY, THICKNESS=75 MICROINCH MIN.  
UNDER PLATE : NICKEL (Ni), THICKNESS=50 MICROMETER MIN.  
/1.9 MICROMETER MIN.  
/1.27 MICROMETER MIN.  
METAL SHELL : TIN PLATING, THICKNESS=100 MICROINCH MIN.  
/2.54 MICROMETER MIN.  
/1.27 MICROMETER MIN.  
UNDER PLATE : NICKEL (Ni), THICKNESS=50 MICROMETER MIN.  
/1.27 MICROMETER MIN.
- RECOMMENDED PCB THICKNESS : 1.60+/-0.05mm
- PRODUCT SPECIFICATION : REFER TO PS-67998-0000
- PACKAGING REFER TO PK-67298-001
- THE HOUSING MATERIAL IS NOT FOR IR REFLOW PROCESS OR SURFACE MOUNTING COMPATIBLE PROCESS.



P/N	COLOR	CONTACT PLATING
67298-3000	BLACK	GOLD FLASH
67298-4000	WHITE	GOLD FLASH
67298-3001	BLACK	30u" GOLD
67298-4001	WHITE	30u" GOLD



DO NOT SCALE DRAWING

CADFILE NO. SIMILAR ITEM EDP NO. ENG. NO.

F E D C B A

ADD PARTS EC NO. T2004-0064 DRWN: IVY LIN CH'K: Sam Shin APPR: Erick Lan PER EMR 2004-0012 EC NO. T2004-0066 DRWN: LINDA CH'K: Sam Shin APPR: Erick Lan PER EMR 2003-0017 EC NO. T2003-0144 DRWN: LINDA CH'K: Thompson Mu APPR: Erick Lan	REV DESCRIPTION MAJOR CRITICAL MINOR	QUALITY SYMBOLS MAJOR CRITICAL MINOR	GENERAL TOLERANCES: (UNLESS SPECIFIED) mm INCH	SCALE 2.5:1 mm INCH	DESIGN UNITS mm INCH	THIRD ANGLE PROJECTION	DIMENSIONS: mm INCH mm INCH mm INCH	SHT REV	
			4 PLACES \ / \ / \ / 3 PLACES \ / \ / \ / 2 PLACES ±0.25 1 PLACE ±0.25 ANGULAR: ±3°	DRAWN BY & DATE Ivy Lin 10/22/03 CHECKED BY & DATE APPROVED BY & DATE	TITLE: USB DUAL STACKED A CONNECTOR	MOLEX INCORPORATED	CAD FILENAME S6729803S1.PDF	MATERIAL NO. SEE TABLE	DRAWING NO. SD-67298-003
DRAFT WHERE APPLICABLE MUST REMAIN WITHIN DIMENSIONS			THIS DRAWING CONTAINS INFORMATION THAT IS PROPRIETARY TO MOLEX INCORPORATED AND SHOULD NOT BE USED WITHOUT WRITTEN PERMISSION.						SIZE A4