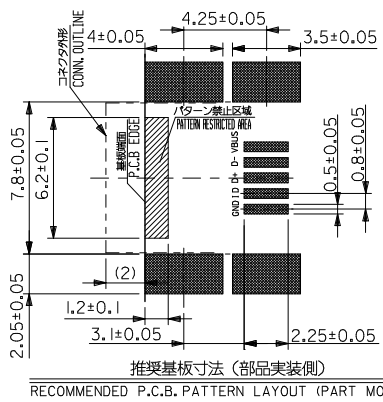
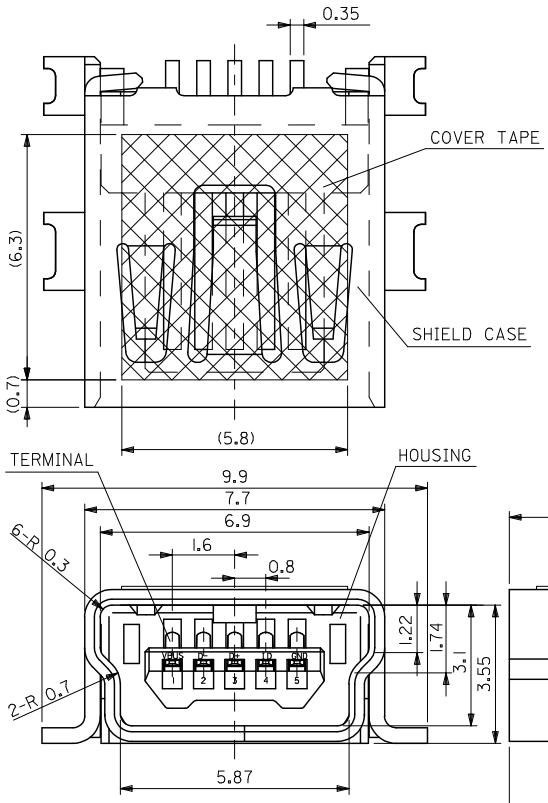
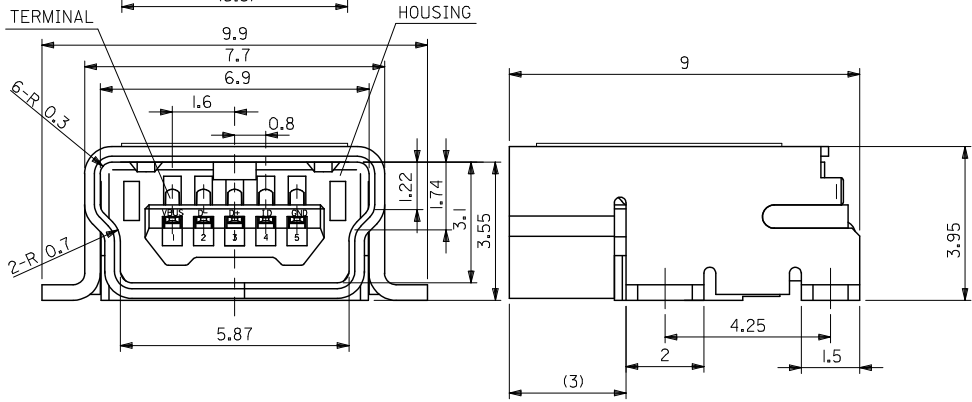


10 9 8 7 6 5 4 3 2 1



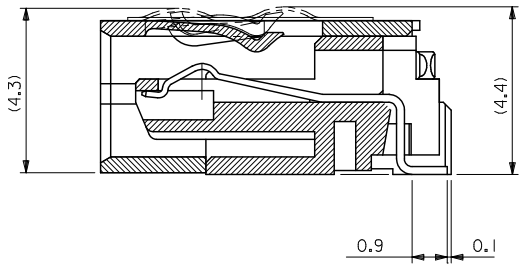
- 注記 1. 材質
 NOTES MATERIAL
 ハウジング:PA, ガラス充填, 黒色, UL94V-0
 HOUSING:PA, GLASS FILLED, BLACK, UL94V-0
 ターミナル:銅合金 (t=0.2)
 TERMINAL:COPPER ALLOY(t=0.2)
 シールド ケース:銅合金 (t=0.4)
 SHIELD CASE:COPPER ALLOY(t=0.4)
 カバー テープ:ポリイミド (t=0.08)
 COVER TAPE:POLYIMIDE(t=0.08)
2. メッキ仕様
 PLATING
 ターミナル
 TERMINAL
 接点部:金メッキ 0.75 MICRO METER MIN.
 CONTACT AREA:GOLD 0.75MICRO METER MIN.
 半田付け部:半田メッキ 3.8 MICRO METER MIN.
 SOLDER TAIL AREA:TIN-LEAD 3.8MICRO METER MIN.
 下地部:ニッケルメッキ 1.25 MICRO METER MIN.
 UNDER PLATING:NICKEL 1.25MICRO METER MIN.
 シールド ケース
 SHIELD CASE
 半田メッキ 2.5 MICRO METER MIN.
 TIN-LEAD 2.5MICRO METER MIN.
 下地部:ニッケルメッキ 1 MICRO METER MIN.
 UNDER PLATING:NICKEL 1 MICRO METER MIN.
3. テール, ネール平坦度は0.1mm MAX.
 TAIL, NAIL COPLANARITY 0.1mm MAX.



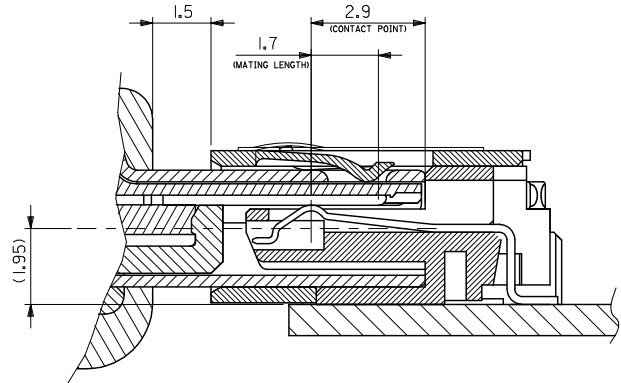
54819-0578	54819-0571
EMBOSSED TAPE	MATERIAL No.
ORDER No.	
MODEL No.54819-**71	

REVISED E.C. NO: J2009-4533 2009/06/25 CHYKOHMATSUOTO 2009/06/25 APPR:NIKIITA 2009/06/25	GENERAL TOLERANCES (UNLESS SPECIFIED)		DIMENSION STYLE MM ONLY		SCALE 10:1	DESIGN UNITS METRIC	THIRD ANGLE PROJECTION
	10 UNDER	±0.2	DRAWN BY K. TAKAHASHI	DATE 2000/08/02	TITLE USB SERIES MINI-B RECEPTACLE ASS'Y FOR SMT		
	10 OVER 30 UNDER	±0.25	CHECKED BY M. SASAO	DATE 2000/08/02	MATERIAL NO. SEE TABLE		
	30 OVER	±0.3	APPROVED BY H. IKESUGI	DATE 2000/08/02	DOCUMENT NO. SD-54819-009		
ANGULAR ±3°		DRAFT WHERE APPLICABLE MUST REMAIN WITHIN DIMENSIONS		SHEET NO. 1 OF 2			

10 9 8 7 6 5 4 3 2 1



SECTION



MATING

MODEL No.54819-**71

REVISED IEC NO: J2009-1533 DRAWN BY: DRWNSATO 2009/06/25 CHECKED BY: CHYKHMATSUMOTO 2009/06/25 APPROVED BY: APPRNIKI TA 2009/06/25	GENERAL TOLERANCES (UNLESS SPECIFIED)		DIMENSION STYLE	SCALE	DESIGN UNITS	THIRD ANGLE PROJECTION	
			MM ONLY	10:1	METRIC		
	10 UNDER	±0.2	DRAWN BY	DATE	TITLE		
	10 OVER 30 UNDER	±0.25	K. TAKAHASHI	2000/08/02	USB SERIES MINI-B RECEPTACLE ASS'Y FOR SMT		
30 OVER	±0.3	CHECKED BY	DATE	MATERIAL NO.			
ANGULAR	±3 °	M. SASAO	2000/08/02	SEE SHEET 1			
DRAFT WHERE APPLICABLE MUST REMAIN WITHIN DIMENSIONS		APPROVED BY	DATE	DOCUMENT NO.			
		H. IKESUGI	2000/08/02	SD-54819-009			
		MATERIAL NO.	DATE	SHEET NO.			
		SEE SHEET 1		2 OF 2			
		THIS DRAWING CONTAINS INFORMATION THAT IS PROPRIETARY TO MOLEX INCORPORATED AND SHOULD NOT BE USED WITHOUT WRITTEN PERMISSION					

ib_frame_A3_J_ME_S
Rev. E 2006/04/15

9 8 7 6 5 4 3 2 EN-02JA(021)

DWG. NO. SD-54819-012

F

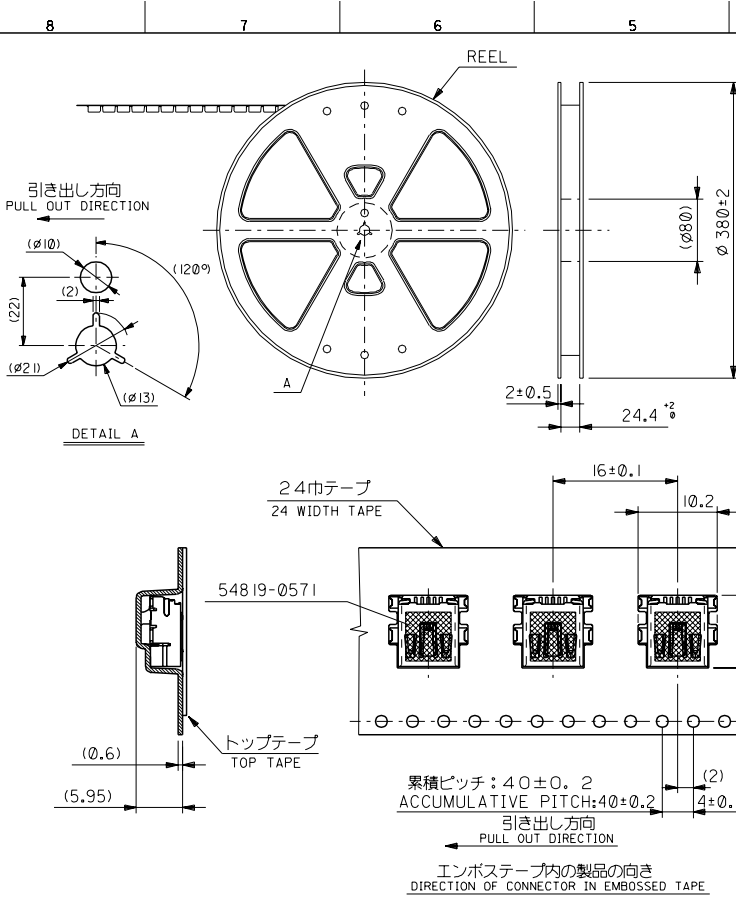
D

V

C

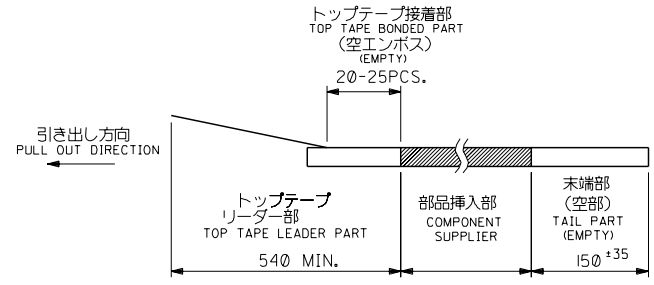
B

DO NOT SCALE DRAWING

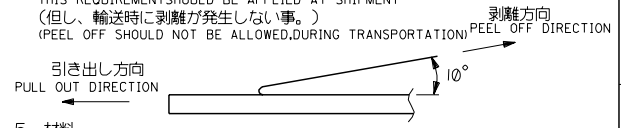


NOTES

- 54819-0571の詳細はSD-54819-009参照
IN THE PACKAGE PART NO.54819-0571 DETAILED, SEE SD-54819-009
- 梱包数量: 800個/リール
NUMBER OF CONNECTORS: 800 PCS/REEL
- リードテープ長さ
LEAD TAPE LENGTH



- トップテープの剥離強度: 0.1~0.7 N (10.2~71.4gf)
(剥離方向は下図参照) キャリアテープ幅: 24mm
PEEL-OFF FORCE OF TOP TAPE: 0.1~0.7 N (10.2~71.4gf)
(PEELING DIRECTION AS SHOWN IN FOLLOWING FIG.)
尚、本規格値は、出荷時に適用。
(但し、輸送時に剥離が発生しない事。)
(PEEL OFF SHOULD NOT BE ALLOWED DURING TRANSPORTATION)



- 材料
MATERIAL
キャリアテープ: ポリプロピレン
CARRIER TAPE: POLYPROPYLENE
トップテープ: ポリエステル, ポリエチレン
TOP TAPE: POLYESTER, POLYETHYLENE
リール: ポリスチレン
REEL: POLYSTYRENE

E04 NO. DRWN: CHFK: APPR: E03 NO. DRWN: CHFK: APPR: E02 NO. DRWN: CHFK: APPR:	REVISED E01 NO. J02001-1513 DRWNK TAKAHASHI 01/05/21 CHFK: MSASAO 01/05/21 APPR: HIKESUGI 01/05/21	RELEASED E00 NO. J02001-0190 DRWNK TAKAHASHI 00/08/02 CHFK: MSASAO 00/08/02 APPR: HIKESUGI 00/08/02	MATERIAL 材料 SEE NOTES	GENERAL TOLERANCES: (UNLESS SPECIFIED) 一般公差	SCALE 2 - 1	DESIGN UNITS mm INCH	<input type="checkbox"/> 2D ANGLE <input type="checkbox"/> PROJECTION <input checked="" type="checkbox"/> mm <input type="checkbox"/> INCH <input type="checkbox"/> ONLY	SHT REV	
			FINISH 仕上り	10 UNDER 未満	+0.2	DRAWN BY & DATE <i>R. Takahashi</i> 00/08/02	TITLE: USB SERIES MINI-B REC. HS'G EMBOSSED ASS'Y	MOLEX INCORPORATED MATERIAL NO. 54819-0578 DRAWING NO. SD-54819-012	SHEET NO. 1 OF 1
			WIRE RANGE 適用電線範囲	10 OVER 以上	+0.25	CHECKED BY & DATE <i>M. Sano</i> 00/08/02	APPROVED BY & DATE <i>R. Takahashi</i> 00/08/02		
INS. RANGE 被覆外径	30 OVER 以上	+0.3	ANGLE 角度	+3°	CAD FILENAME SD-54819-012.S01	SIZE B			

EN-02J(097) MXJ-54