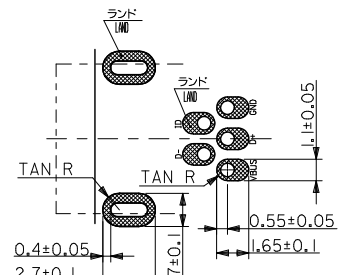
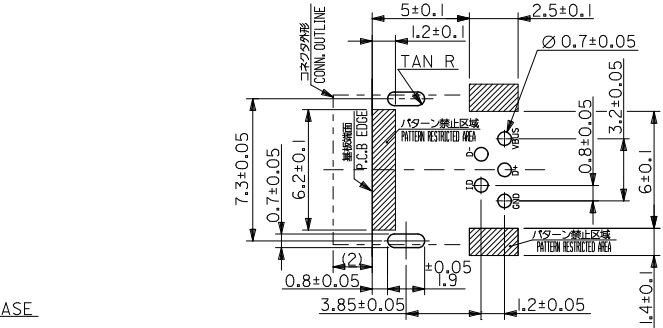
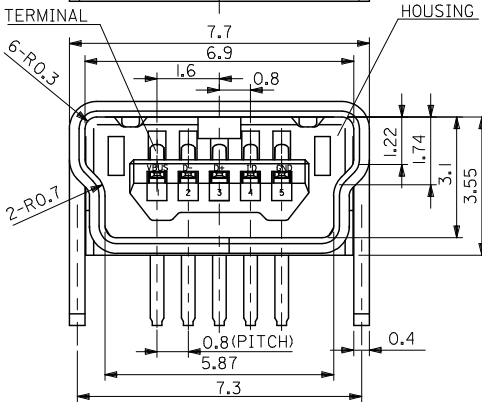
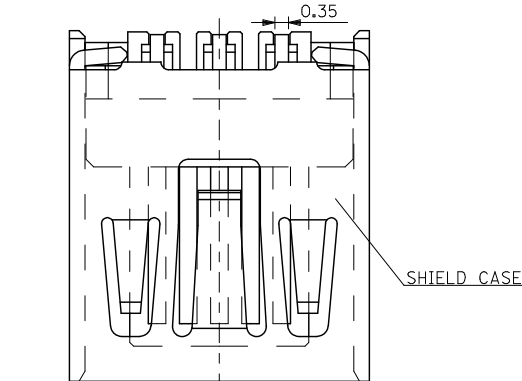


10 9 8 7 6 5 4 3 2 1

コネクタ実装側 (CONNECTOR MOUNT SIDE)

逆側 (REVERSE SIDE)



推奨基板寸法  
RECOMMENDED P.C.B. PATTERN LAYOUT

注記 1. 材質  
NOTES MATERIAL

ハウジング: ポリアミド・ガラス充填・黒色・UL94V-0  
HOUSING: PA, GLASS FILLED, BLACK, UL94V-0  
ターミナル: 銅合金 (t=0.2)  
TERMINAL: COPPER ALLOY (t=0.2)  
シールド ケース: 銅合金 (t=0.4)  
SHIELD CASE: COPPER ALLOY (t=0.4)

2. メッキ仕様  
PLATING

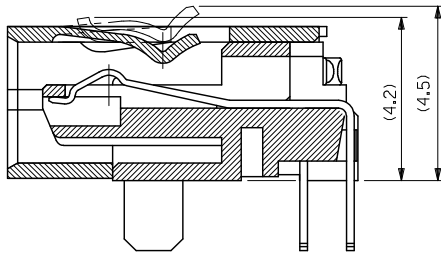
ターミナル  
TERMINAL  
接点部: 金メッキ 0.75 MICRO METER MIN.  
CONTACT AREA: GOLD 0.75MICRO METER MIN.  
半田付け部: 半田メッキ 3.8 MICRO METER MIN.  
SOLDER TAIL AREA: TIN-LEAD 3.8MICRO METER MIN.  
下地部: ニッケルメッキ 1.25 MICRO METER MIN.  
UNDER PLATING: NICKEL 1.25MICRO METER MIN.  
シールド ケース  
SHIELD CASE  
半田メッキ 2.5 MICRO METER MIN.  
TIN-LEAD 2.5MICRO METER MIN.  
下地部: ニッケルメッキ 1 MICRO METER MIN.  
UNDER PLATING: NICKEL 1 MICRO METER MIN.

54819-0511  
MATERIAL No.

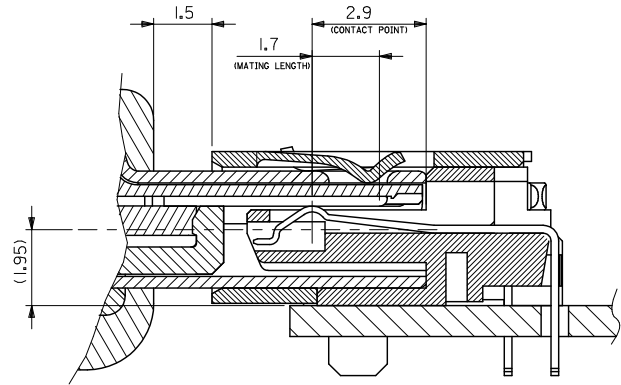
MODEL No.54819-\*\*\*11

REVISED EC NO: J2009-4533 DRWNSATO CHYKHMATSUMOTO APPRNKIKITA 2009/06/25 2009/06/25 2009/06/25	GENERAL TOLERANCES (UNLESS SPECIFIED)		DIMENSION STYLE MM ONLY	SCALE 10:1	DESIGN UNITS METRIC	THIRD ANGLE PROJECTION
	10 UNDER	±0.2	DRAWN BY K. TAKAHASHI	DATE 2000/05/17	TITLE USB SERIES MINI-B RECEPTACLE ASS'Y	
	10 OVER 30 UNDER	±0.25	CHECKED BY M. SASAO	DATE 2000/05/17	MOLEX INCORPORATED	
	30 OVER	±0.3	APPROVED BY H. IKESUGI	DATE 2000/05/17	DOCUMENT NO. SD-54819-008	SHEET NO. 1 OF 2
REV	DESCRIPTION	ANGULAR ±3 °	MATERIAL NO. SEE TABLE	THIS DRAWING CONTAINS INFORMATION THAT IS PROPRIETARY TO MOLEX INCORPORATED AND SHOULD NOT BE USED WITHOUT WRITTEN PERMISSION		
DRAFT WHERE APPLICABLE MUST REMAIN WITHIN DIMENSIONS						

10 9 8 7 6 5 4 3 2 1



SECTION



MATING

MODEL No.54819-\*\*\*11

REVISED IEC NO: J2009-1533 DRWNSATO 2009/06/25 CHYKOHMATSUOTO 2009/06/25 APPRNIKI TA 2009/06/25	GENERAL TOLERANCES (UNLESS SPECIFIED)		DIMENSION STYLE MM ONLY	SCALE 10:1	DESIGN UNITS METRIC	THIRD ANGLE PROJECTION
	10 UNDER	±0.2	DRAWN BY K. TAKAHASHI	DATE 2000/05/17	TITLE USB SERIES MINI-B RECEPTACLE ASS'Y	
	10 OVER 30 UNDER	±0.25	CHECKED BY M. SASAO	DATE 2000/05/17	MOLEX INCORPORATED	
	30 OVER	±0.3	APPROVED BY H. IKESUGI	DATE 2000/05/17	DOCUMENT NO. SD-54819-008	SHEET NO. 2 OF 2
	ANGULAR ±3 °	DRAFT WHERE APPLICABLE MUST REMAIN WITHIN DIMENSIONS	MATERIAL NO. SEE SHEET 1	THIS DRAWING CONTAINS INFORMATION THAT IS PROPRIETARY TO MOLEX INCORPORATED AND SHOULD NOT BE USED WITHOUT WRITTEN PERMISSION		

tb\_frame\_A3\_J\_ME\_S  
Rev. E 2006/04/15

9 8 7 6 5 4 3 2 1 EN-02JA(021)