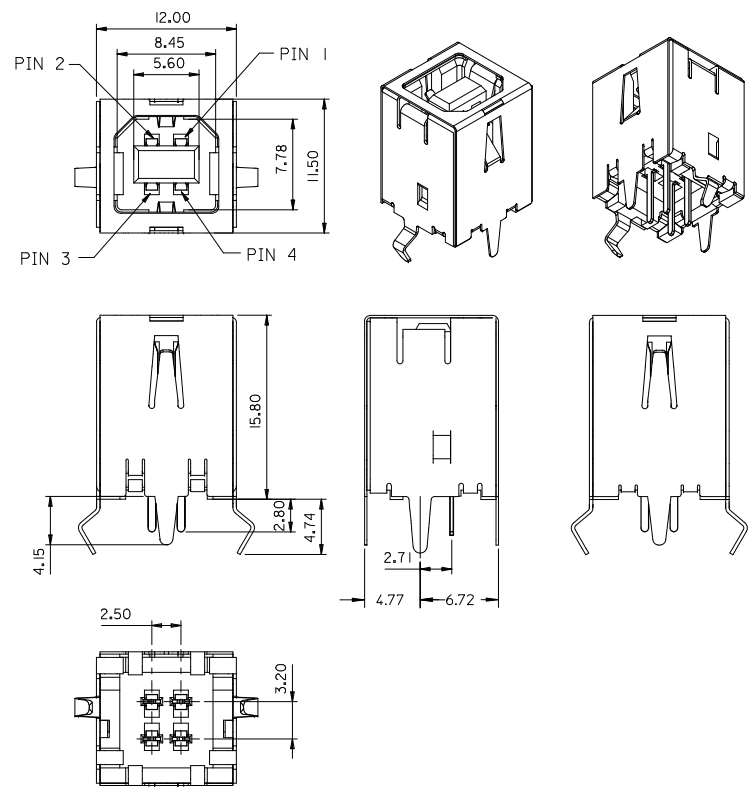
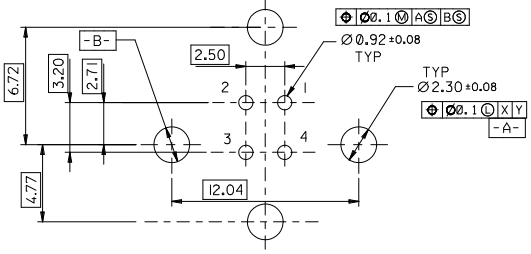


10 9 8 7 6 5 4 3 2 1



NOTES :

- MATERIAL :
 HOUSING : POLYESTER ,UL94V-0 ,
 COLOR:BLACK, OR WHITE
 TERMINAL : PHOSPHOR BRONZE (PhBr)
 METAL SHELL : COPPER ALLOY
- PLATING :
 TERMINAL :
 CONTACT AREA :
 (a) GOLD FLASH.
 (b) GOLD (Au), THICKNESS=30 MICROINCH /0.76 MICROMETER
 SOLDER TAIL : (a) TIN-LEAD (90/10) ALLOY
 ,THICKNESS=150 MICROINCH/3.8 MICROMETER
 (b) PURE TIN PLATING,
 THICKNESS=50 MICROINCH/1.27MICROMETER MINIMUM.
 UNDER PLATE : NICKEL (Ni)
 ,THICKNESS=50 MICROINCH /1.27 MICROMETER
 METAL SHELL :
 (a) TIN-LEAD (Sn-Pb) ALLOY
 ,THICKNESS=100 MICROINCH /2.54 MICROMETER
 (b) PURE TIN PLATING.
 THICKNESS =50 MICROINCH/1.27 MICROMETER MINIMUM.
 UNDER PLATE : NICKEL (Ni)
 ,THICKNESS=50 MICROINCH /1.27 MICROMETER
- RECOMMENDED PCB THICKNESS : 1.60±0.05mm
- PRODUCT SPECIFICATION : REFER TO PS-67998-0000



REVISED EC NO: GDRWN:YPMJ CHKD: APPR:	DESCRIPTION REV	QUALITY SYMBOLS		GENERAL TOLERANCES (UNLESS SPECIFIED)		DIMENSION STYLE		SCALE	DESIGN UNITS	THIRD ANGLE PROJECTION	
				mm	INCH	MM ONLY		1:1	METRIC		
		4 PLACES	± ---	± ---	DRAWN BY	DATE	TITLE				
		3 PLACES	± ---	± ---	SAM SHIN	1998/12/21	USB B VERTICAL CONN				
		2 PLACES	± 0.25	± ---	CHECKED BY	DATE	MOLEX INCORPORATED				
		1 PLACE	± 0.25	± ---	VLIN	1998/12/21					
		ANGULAR ± 3 °		APPROVED BY	DATE	DOCUMENT NO.					
		DRAFT WHERE APPLICABLE MUST REMAIN WITHIN DIMENSIONS		NEGA LIN	1998/12/21	SD-67265-002					
				MATERIAL NO.	SEE TABLE		SHEET NO.				
				SIZE	A3		1 OF 2				

tb_frame_A3_P_AM_T
Rev. E 2006/04/15

