

NOTES :

1. MATERIAL :

HOUSING : (a) HIGH TEMP. NYLON ,GLASS FIBER FILLED,UL94V-0, COLOR: BLACK,  
(b) POLYESTER , GLASS FIBER FILLED,UL94V-0, COLOR: WHITE,

TERMINAL : PHOSPHOR BRONZE  
METAL SHELL : COPPER ALLOY

2. PLATING :

TERMINAL :  
CONTACT AREA : (a) GOLD FLASH,  
(b) GLOD (Au), THICKNESS = 30 MICRINCH MINIMUM .  
/0.76 MICROMETER MINIMUM.

SOLDER TAIL : TIN-LEAD (Sn-Pb) ALLOY,  
THICKNESS= 75 MICROINCH MINIMUM .  
/1.9 MICROMETER MINIMUM.

UNDER PLATE : NICKEL (Ni), THICKNESS= 50 MICROINCH MINIMUM.  
/1.27 MICROMETER MINIMUM.

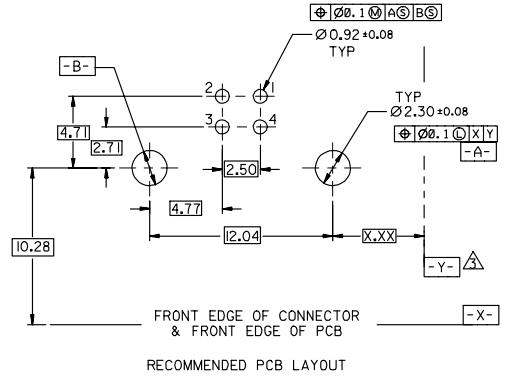
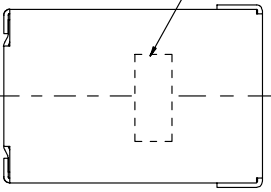
METAL SHELL :  
TIN-LEAD (Sn-Pb) ALLOY , THICKNESS= 100 MICROINCH MINIMUM.  
/2.54 MICROMETER MINIMUM.

UNDER PLATE : NICKEL (Ni), THICKNESS= 50 MICROINCH MINIMUM.  
/1.27 MICROMETER MINIMUM.

**Δ** DATUM AND BASIC DIMENSIONS ESTABLISHED BY CUSTOMER  
RECOMMENDED PCB THICKNESS : 1.60±0.05

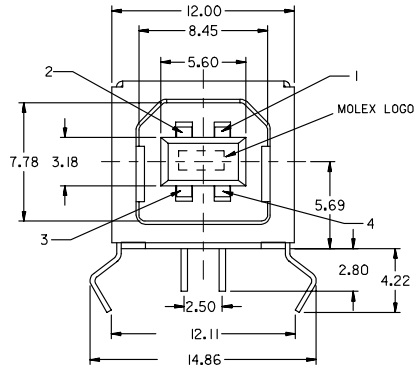
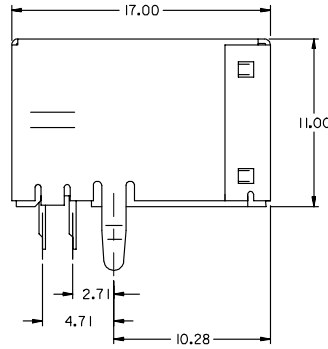
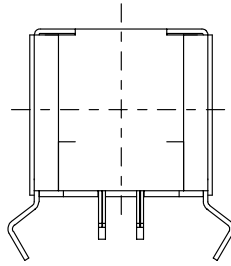
4 PRODUCT SPECIFICATION : REFER TO PS-67998-0000

MOLEX ID OF MFG PLANT CODE

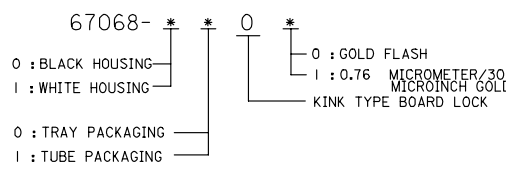


FRONT EDGE OF CONNECTOR & FRONT EDGE OF PCB

RECOMMENDED PCB LAYOUT



PART NUMBER LEGEND:



REVISED	DESCRIPTION
EC NO: SH2006-0759	2006/10/26
DRW: WYANG05	2006/10/27
CHK: CHANG	2006/11/14
APPR: JINCHEN	

QUALITY SYMBOLS	
$\nabla = 0$	
$\nabla = 0$	

GENERAL TOLERANCES (UNLESS SPECIFIED)		
	mm	INCH
4 PLACES	$\pm 0.25$	$\pm 0.010$
3 PLACES	$\pm 0.25$	$\pm 0.010$
2 PLACES	$\pm 0.25$	$\pm 0.010$
1 PLACE	$\pm 0.25$	$\pm 0.010$
ANGULAR $\pm 3^\circ$		

DRAFT WHERE APPLICABLE MUST REMAIN WITHIN DIMENSIONS

DIMENSION STYLE INCH ONLY	SCALE 4:1	DESIGN UNITS METRIC	THIRD ANGLE PROJECTION
DRAWN BY VINCENT LIN	DATE	TITLE USB B TYPE CONNECTOR KINK TYPE BOARD LOCK	
CHECKED BY	DATE	MATERIAL NO.	DOCUMENT NO. SDA-67068-****
APPROVED BY	DATE	MATERIAL NO.	DOCUMENT NO. SDA-67068-****
SIZE A3		THIS DRAWING CONTAINS INFORMATION THAT IS PROPRIETARY TO MOLEX INCORPORATED AND SHOULD NOT BE USED WITHOUT WRITTEN PERMISSION	
MOLEX INCORPORATED			SHEET NO. 1 OF 4

NOTES :

1. MATERIAL :

HOUSING : (a) HIGH TEMP. NYLON, GLASS FIBER FILLED, UL94V-0, COLOR: BLACK,  
(b) POLYESTER, GLASS FIBER FILLED, UL94V-0, COLOR: WHITE.

TERMINAL : PHOSPHOR BRONZE  
METAL SHELL : COPPER ALLOY

2. PLATING :

TERMINAL :

CONTACT AREA : (a) GOLD FLASH.

(b) GLD (Au), THICKNESS = 30 MICROINCH MINIMUM.  
/0.76 MICROMETER MINIMUM.

SOLDER TAIL : TIN-LEAD (Sn-Pb) ALLOY.

THICKNESS = 75 MICROINCH MINIMUM .  
/1.9 MICROMETER MINIMUM.

UNDER PLATE : NICKEL (Ni), THICKNESS= 50 MICROINCH MINIMUM.

/1.27 MICROMETER MINIMUM.

METAL SHELL :

TIN-LEAD (Sn-Pb) ALLOY , THICKNESS= 100 MICROINCH MINIMUM.

/2.54 MICROMETER MINIMUM.

UNDER PLATE : NICKEL (Ni), THICKNESS= 50 MICROINCH MINIMUM.

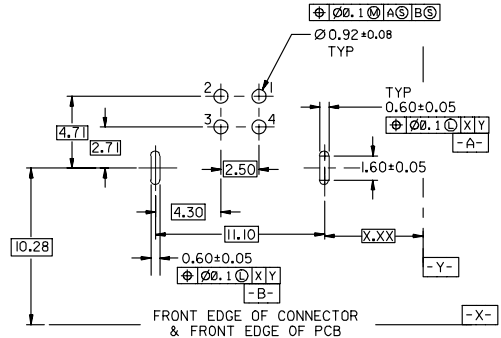
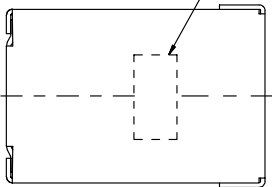
/1.27 MICROMETER MINIMUM.

3 DATUM AND BASIC DIMENSIONS ESTABLISHED BY CUSTOMER

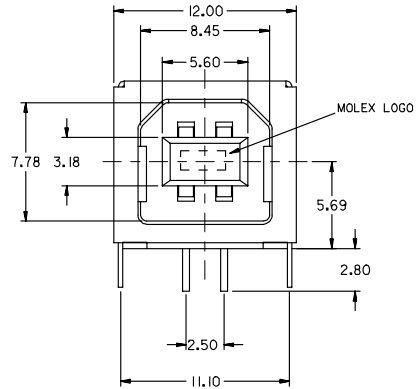
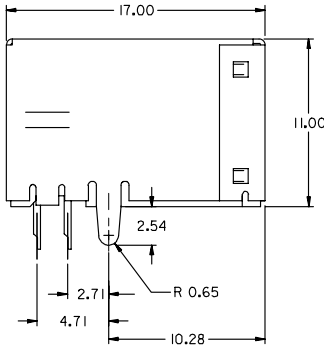
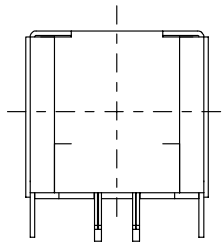
RECOMMENDED PCB THICKNESS : 1.60±0.05

4 PRODUCT SPECIFICATION : REFER TO PS-67998-0000

MOLEX ID OF MFG PLANT CODE

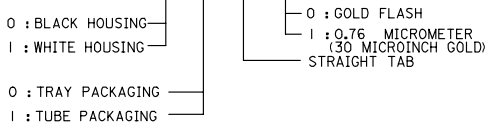


RECOMMENDED PCB LAYOUT



PART NUMBER LEGEND (EXCEPT 67068-1111&67068-0011):

67068-



REVISED	EC NO. SH2006-0759	2006/10/26
DRW: WYANG05	CHK: CHANG	2006/10/27
APPR: JINCHEN		2006/11/14

QUALITY SYMBOLS	GENERAL TOLERANCES (UNLESS SPECIFIED)
▽=0	
▽=0	

4 PLACES	± ---	± ---
3 PLACES	± ---	± ---
2 PLACES	± 0.25	± ---
1 PLACE	± 0.15	± ---
ANGULAR ± 3 °		

DIMENSION STYLE		SCALE	DESIGN UNITS	THIRD ANGLE PROJECTION
MM ONLY		4:1	METRIC	
DRAWN BY	DATE	TITLE		
VINCENT		USB B TYPE CONNETOR KINK TYPE BOARD LOCK		
CHECKED BY	DATE			
APPROVED BY	DATE			

MATERIAL NO.		DOCUMENT NO.	SHEET NO.
SEE LENEND		SDA-67068-****	2 OF 4
THIS DRAWING CONTAINS INFORMATION THAT IS PROPRIETARY TO MOLEX INCORPORATED AND SHOULD NOT BE USED WITHOUT WRITTEN PERMISSION			

10 9 8 7 6 5 4 3 2 1

NOTES :  
 1. MATERIAL :  
 HOUSING : (a) HIGH TEMP. NYLON, GLASS FIBER FILLED, UL94V-0, COLOR: BLACK.

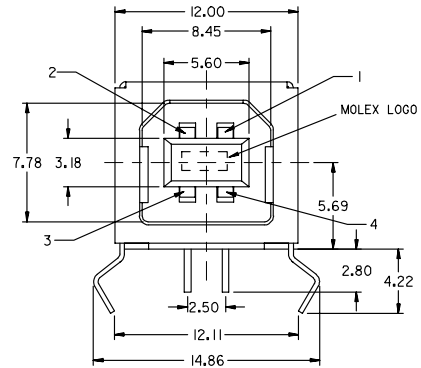
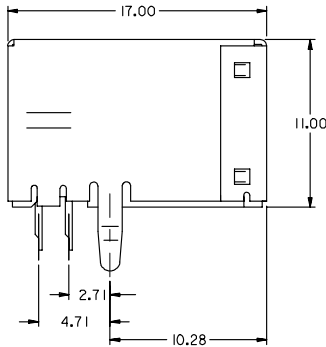
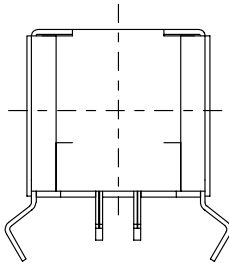
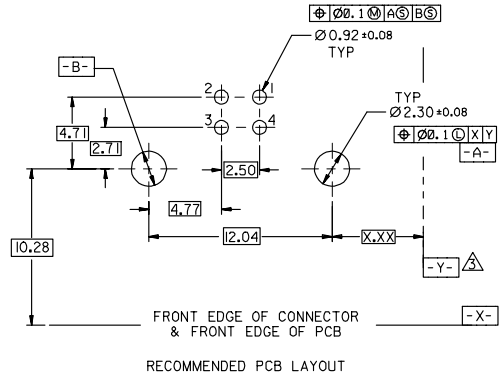
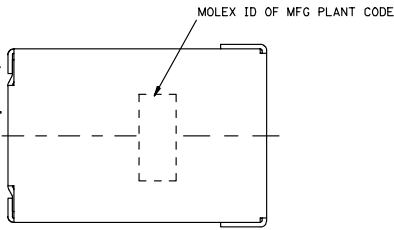
TERMINAL : PHOSPHOR BRONZE  
 METAL SHELL : COPPER ALLOY

2. PLATING :

TERMINAL :  
 CONTACT AREA : (a) GOLD FLASH,  
 (b) GLOD (AU), THICKNESS = 30 MICROINCH MINIMUM,  
 /0.76 MICROMETER MINIMUM.  
 SOLDER TAIL : TIN-LEAD (Sn-Pb) ALLOY,  
 THICKNESS = 75 MICROINCH MINIMUM,  
 /1.9 MICROMETER MINIMUM.  
 UNDER PLATE : NICKEL (NI), THICKNESS = 50 MICROINCH MINIMUM,  
 /1.27 MICROMETER MINIMUM.  
 METAL SHELL :  
 TIN(Sn) ALLOY, THICKNESS = 100 MICROINCH MINIMUM,  
 /2.54 MICROMETER MINIMUM.  
 UNDER PLATE : NICKEL (NI), THICKNESS = 50 MICROINCH MINIMUM,  
 /1.27 MICROMETER MINIMUM.

△ DATUM AND BASIC DIMENSIONS ESTABLISHED BY CUSTOMER  
 RECOMMENDED PCB THICKNESS : 1.60±0.05

4 PRODUCT SPECIFICATION : REFER TO PS-67998-0000



PART NUMBER LEGEND:

67068- 2041

REVISED IEC NO. SH2006-0759 DRAWN: YANG05 2006/10/26 CHECKER: CHIKCHANG 2006/10/27 APPR: JINCHEN 2006/11/14	QUALITY SYMBOLS	GENERAL TOLERANCES (UNLESS SPECIFIED) 4 PLACES ± --- ± --- 3 PLACES ± --- ± --- 2 PLACES ± 0.25 ± --- 1 PLACE ± 0.25 ± --- ANGULAR ± 3 °	DIMENSION STYLE	SCALE	DESIGN UNITS	THIRD ANGLE PROJECTION	
	▽=0 ▽=0		MM ONLY	4:1	METRIC		
				DRAWN BY	DATE	TITLE	
				CHECKED BY	DATE	USB B TYPE CONNECTOR	
				APPROVED BY	DATE		
				MATERIAL NO.	DOCUMENT NO.	SHEET NO.	
				SEE LEGEND	SDA-67068-****	3 OF 4	
				THIS DRAWING CONTAINS INFORMATION THAT IS PROPRIETARY TO MOLEX INCORPORATED AND SHOULD NOT BE USED WITHOUT WRITTEN PERMISSION			

tb\_frame\_A3\_P\_AM\_T  
 Rev. E 2006/04/15

9 8 7 6 5 4 3 2 1

10 9 8 7 6 5 4 3 2 1

**NOTES :**

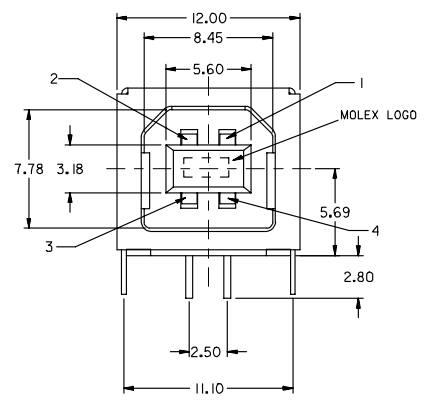
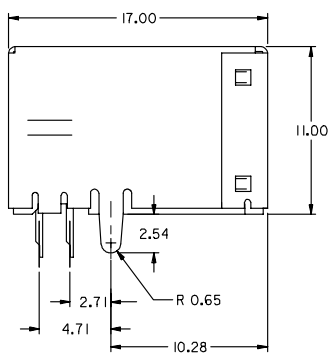
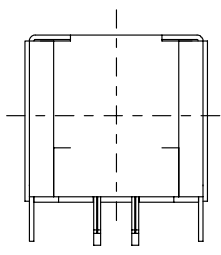
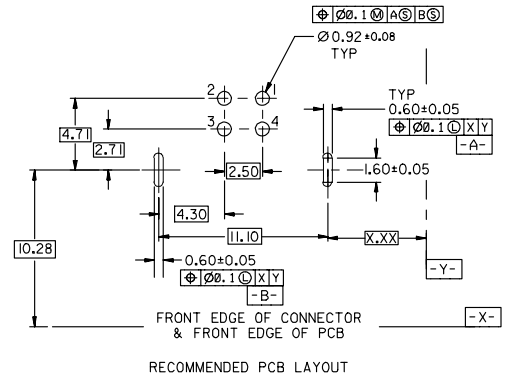
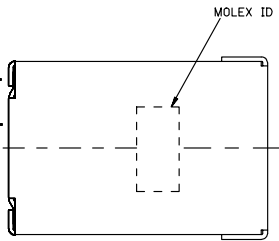
**1. MATERIAL :**  
 HOUSING : (a) HIGH TEMP. NYLON, GLASS FIBER FILLED, UL94V-0, COLOR: BLACK,

TERMINAL : PHOSPHOR BRONZE  
 METAL SHELL : COPPER ALLOY

**2. PLATING :**

TERMINAL :  
 CONTACT AREA : (a) GOLD FLASH  
 (b) GL0D (Au), THICKNESS = 30 MICROINCH MINIMUM.  
 /0.76 MICROMETER MINIMUM.  
 SOLDER TAIL : TIN-LEAD (Sn-Pb) ALLOY,  
 THICKNESS= 75 MICROINCH MINIMUM .  
 /1.9 MICROMETER MINIMUM.  
 UNDER PLATE : NICKEL (Ni), THICKNESS= 50 MICROINCH MINIMUM.  
 /1.27 MICROMETER MINIMUM.  
 METAL SHELL :  
 TINSn ALLOY , THICKNESS= 100 MICROINCH MINIMUM.  
 /2.54 MICROMETER MINIMUM.  
 UNDER PLATE : NICKEL (Ni), THICKNESS= 50 MICROINCH MINIMUM.  
 /1.27 MICROMETER MINIMUM.

**3 DATUM AND BASIC DIMENSIONS ESTABLISHED BY CUSTOMER**  
 RECOMMENDED PCB THICKNESS : L60±0.05  
**4 PRODUCT SPECIFICATION : REFER TO PS-67998-0000**



**PART NUMBER LEGEND:**

67068- 2051

REVISED EC NO: SH2006-0759 DRW: FANG05 CHK: CHANG APPR: JINCHEN 2006/10/27 2006/11/14	QUALITY SYMBOLS	GENERAL TOLERANCES (UNLESS SPECIFIED) 4 PLACES ± --- ± --- 3 PLACES ± --- ± --- 2 PLACES ± 0.25 ± --- 1 PLACE ± 0.25 ± --- ANGULAR ± 3 °	DIMENSION STYLE	SCALE	DESIGN UNITS	THIRD ANGLE PROJECTION USB B TYPE CONNECTOR MOLEX INCORPORATED SDA-67068-**** SHEET NO. 4 OF 4
	▽=0 ▽=0		MM ONLY	4:1	METRIC	
	DRAWN BY VL IN CHECKED BY DATE APPROVED BY DATE		TITLE			
	MATERIAL NO. SEE LEGEND SIZE A3		DOCUMENT NO.	THIS DRAWING CONTAINS INFORMATION THAT IS PROPRIETARY TO MOLEX INCORPORATED AND SHOULD NOT BE USED WITHOUT WRITTEN PERMISSION		

9 8 7 6 5 4 3 2 1