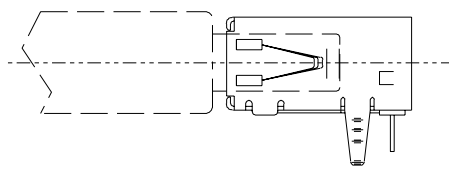
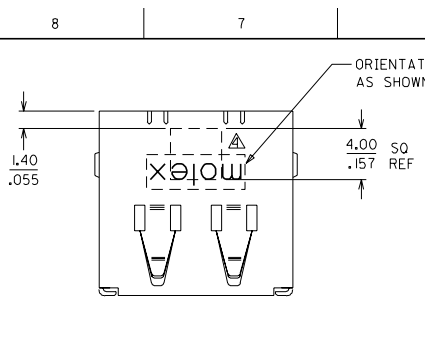
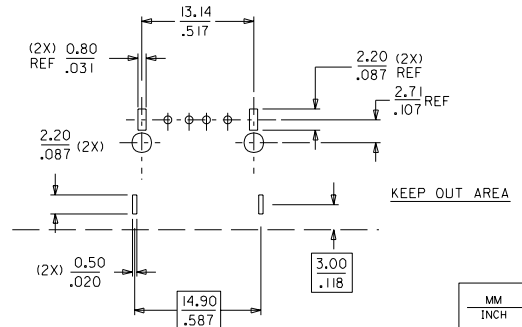
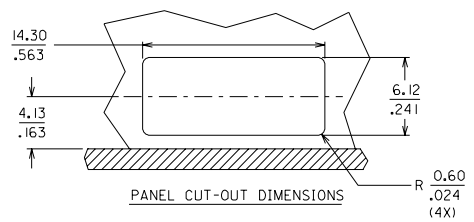
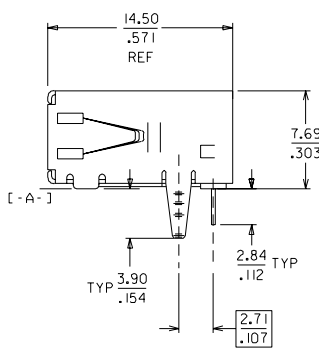
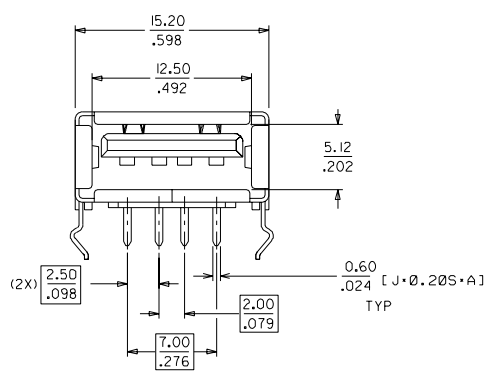


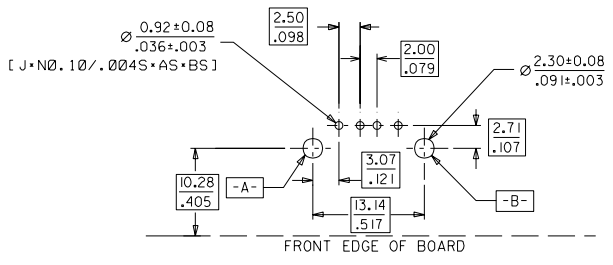
DWG. NO. SD 87531-0001
 CAD FILE 5875310.DGN



NOTES
 1. MATERIAL
 CONTACTS - PHOSPHOR BRONZE
 SHELL - COPPER ALLOY OR EQUIVALENT
 HOUSING - HIGH TEMP THERMOPLASTIC, NYLON
 94V-0, COLOUR: WHITE
 2. PLATING
 CONTACTS -
 GOLD FLASH OVER 0.76 μ m MIN PALLADIUM NICKEL
 IN MATING AREA, 2.50 μ m MIN TIN-LEAD ON
 SOLDER TAILS ALL OVER 1.27 μ m MIN NICKEL
 SHELL -
 2.50 μ m MIN TIN-LEAD OVER 1.25 μ m MIN NICKEL
 3. FOR PCB THICKNESS OF 1.60mm.
 APPROXIMATE AREA FOR PICK & PLACE NOZZLE



RECOMMENDED PCB LAYOUT



LTR	REVISION RECORD	ECN	DR	CHK	DATE
A5	ADD LOGO PER ECN S99-0224	-	ENG	SK	981217
A4	REVISED PER ECN S1998-0113	-	ENG	TOH	970916
A3	UPDATE DRAWING	S70266	ENG	TOH	961216
A2	REMOVE PLATING OPTIONS	S70194	ENG	TOH	961016
A1	CHG. SHELL PLTG. THICKNESS	S60573	ENG	TOH	960612
A	ADD PLATING OPTIONS	S60506	ENG	TOH	960424
3	ADD PICK & PLACE AREA	S60433	ENG	TOH	960313
2	ADD KEEP OUT AREA	S60370	ENG	TOH	960123
1	PROPOSAL	S60302	ENG	TOH	951208

MATERIAL :
 SEE NOTES ABOVE

FINISH :
 SEE NOTES ABOVE

DRAWN BY ER POH 951208
 APPR'D BY ROY 960109

CHK'D BY SK TOH 960109
 SCALE 3:1

MOLEX SINGAPORE PTE LTD
 SHEET 1 OF 1

GENERAL TOLERANCES ± 0.20/.008
 DWG. NO.: SD 87531-0001
 TITLE : UNIVERSAL SERIAL BUS
 SINGLE RIGHT ANGLE RECEPT..

REVISE ONLY ON CAD SYSTEM

THIS DRAWING CONTAINS INFORMATION THAT IS PROPRIETARY TO MOLEX (S) PTE LTD AND SHOULD NOT BE USED WITHOUT WRITTEN PERMISSION

DO NOT SCALE DRAWING