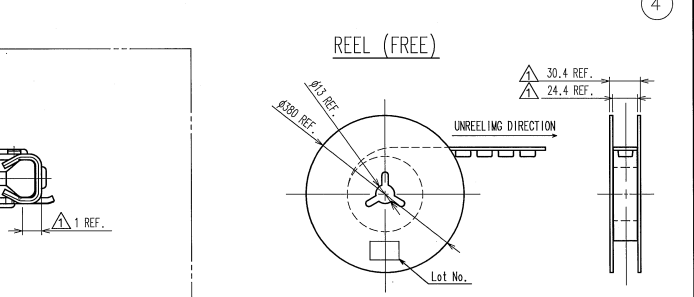
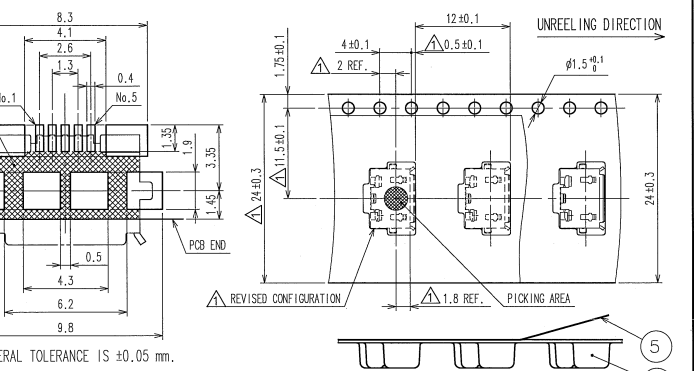


COUNT	DESCRIPTION OF REVISIONS	BY	CHKD	DATE	COUNT	DESCRIPTION OF REVISIONS	BY	CHKD	DATE
18	REVISED DIMENSIONS, CROSS SIZE, PER REEL, etc	T.M	N.H	07.02.23					

PCB LAYOUT

DRAWING FOR PACKING (2:1)



2	COPPER ALLOY	2			
1	LCP		BLACK, UL94V-0		
3	STAINLESS STEEL		TIN PLATING 1.0 μm min. LUBRICANT		

NO.	MATERIAL	FINISH, REMARKS	NO.	MATERIAL	FINISH, REMARKS
5	PE		30.4	REF.	
4	PS		24.4	REF.	

CODE NO. (OLD)	DRAWN	DESIGNED	CHECKED	APPROVED	RELEASED
	M. SHIMOYAMA	M. SHIMOYAMA	H. KOBAYASHI	A. SUZUKI	
	07.01.22	07.01.22	07.01.22	07.01.22	

DRAWING NO.	PART NO.
TEDC3-123660-1	ZX62-AB-5P
SCALE	CODE NO.
5 : 1	CL242
UNITS	
mm	

- NOTES
- 1 CO-PLANARITY IS WITHIN 0.08 mm.
  - 2 PLATING  
CONTACT AREA : GOLD 0.75 μm min.  
LEAD AREA : GOLD 0.03 μm min.  
UNDER PLATING: NICKEL 2 μm min.
  - 3 PER REEL : 2000 pcs.
  - 4 INTERFACE DIMENSIONS CONFORM TO USB2.0 SPECIFICATION.

TO