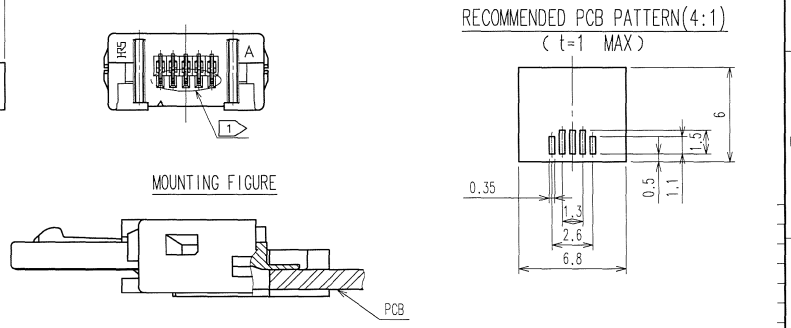
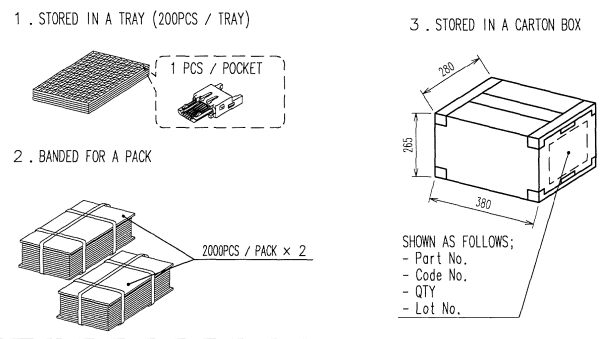


COUNT	DESCRIPTION OF REVISIONS	BY	CHKD	DATE	COUNT	DESCRIPTION OF REVISIONS	BY	CHKD	DATE

Fig - 1 PACKING SPECIFICATION -IN THE CASE OF 4000 PCS-



NO.	MATERIAL	FINISH, REMARKS	NO.	MATERIAL	FINISH, REMARKS
2	COPPER ALLOY	UNDER PLATING: NICKEL 2μm MIN. CONTACT AREA: GOLD 0.75μm MIN. LEAD AREA: TIN 1μm MIN.	3	STAINLESS STEEL	
1	POLYAMIDE	BLACK UL94V-0			

CODE NO. (OLD)	DRAWN	DESIGNED	CHECKED	APPROVED	RELEASED
	<i>M. Shirogane</i>	<i>M. Shirogane</i>	<i>R. Hayama</i>	<i>[Signature]</i>	
	07.1.31	07.1.31	07.01.31	07.01.31	

SCALE	DRAWING NO.	PART NO.
5 : 1	EDC3-125961-01	ZX64-B-5S-UNIT (02)
UNITS	mm	CODE NO.
	HRS HIROSE ELECTRIC CO., LTD	CL242-0009-3-02

TO

Fig - 2 SHIELDING-PLATE ASSEMBLY

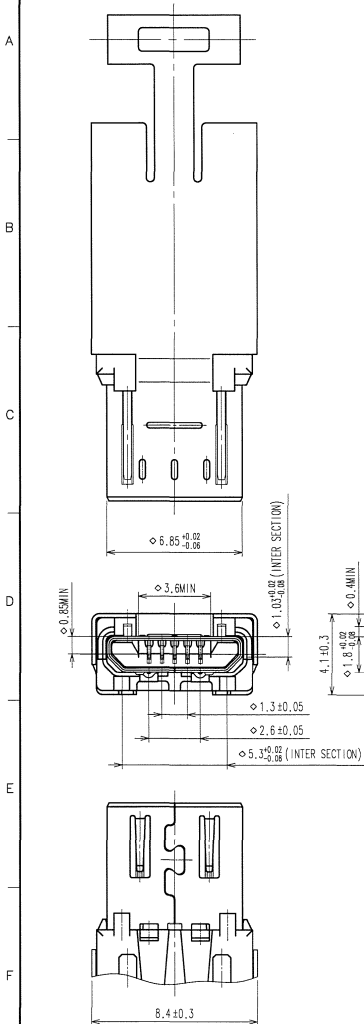
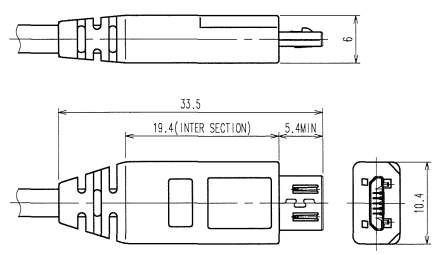


Fig - 3 OVER-MOLDING(REFERENCE)



ZX64-B-SLDA
CODE: CL242-0013-0

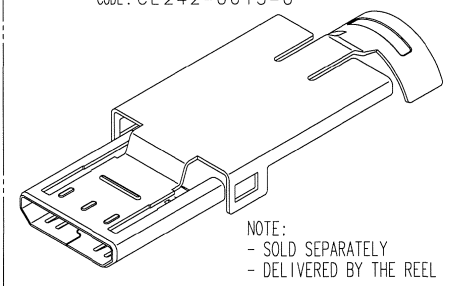
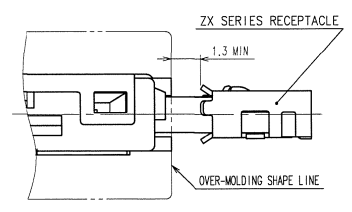


Fig - 4 MATED CONDITION



NOTES 3 SHIELDING-PLATES, ZX64-B-SLDA ARE USED FOR ASSEMBLY.
4 *O* SYMBOL ADDED TO EACH DIMENSION MEANS CRITICAL DIMENSION ON USB SPECIFICATION. PLEASE CHECK THEM AFTER OVER-MOLDING.

NO.	MATERIAL	FINISH, REMARKS	NO.	MATERIAL	FINISH, REMARKS
CODE NO. (OLD)			DRAWN	DESIGNED	CHECKED
			<i>M. Hasegawa</i>	<i>M. Saito</i>	<i>R. Hayama</i>
			07.1.21	07.1.21	07.01.21
			APPROVED	RELEASED	
			<i>[Signature]</i>		
			07.01.21		
DRAWING NO. EDC3-125961-01			PART NO. ZX64-B-5S-UNIT(02)		
SCALE 5 : 1			CODE NO. CL242-0009-3-02		
UNITS HRS HIROSE ELECTRIC CO., LTD					
FORM NO. 229			2		

TO