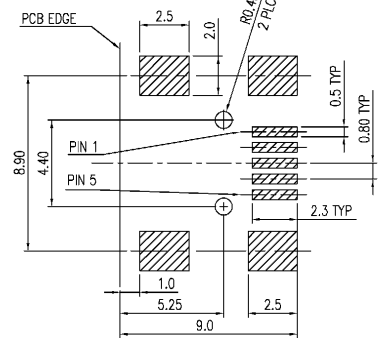
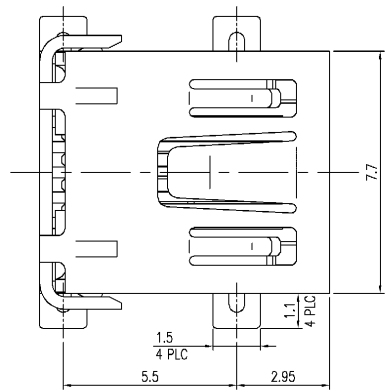
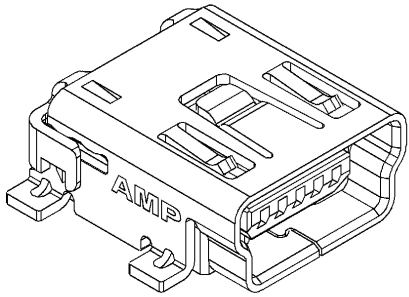
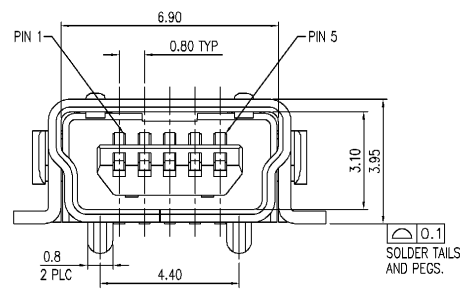
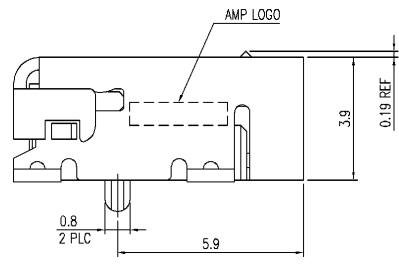
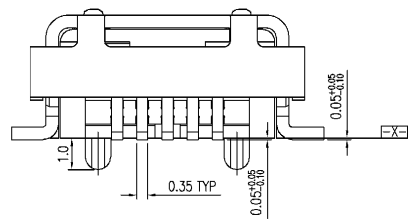


NUMBER C-440247
METRIC
3RD ANGLE PROJECTION



RECOMMENDED PCB LAYOUT (MOUNTING SIDE)
THICKNESS 1.57mm



NOTE:
1. MATERIAL:
HOUSING: HIGH TEMPERATURE THERMOPLASTIC UL 94V-0, COLOR: BLACK.
CONTACT: PHOSPHOR BRONZE.
SHELL: PHOSPHOR BRONZE.
2. FINISH:
CONTACT: 30u" MIN. GOLD PLATED IN CONTACT AREA, 100u" MIN. TIN-LEAD
TIN ON SOLDER TAILS, 50u" MIN. NICKEL UNDERPLATED ALL OVER.
SHELL: 100u" MIN. HALF-BRIGHT TIN OVER 100u" MIN. CU UNDERPLATED.

W/	W/O	TAPE REEL	W/	440247-4
W/O	W/	TAPE REEL	W/	440247-3
W/O	W/O	TAPE REEL	W/	440247-2
W/O	N/A	TRAY	W/	440247-1
MYLAR	LONG CARRIER & COVER TAPE	PACKAGE	POST	PART NUMBER

DIMENSION :	DWN	O. HU	tyco	TYCO HOLDINGS (BERMUDA)
0 PLC ±0.38	CHK	27-JUN-2003	Electronics	VII LTD. TAIWAN BRANCH
1 PLC ±0.25		A. WU	NAME	
2 PLC ±0.13	MATERIAL	27-JUN-2003		
3 PLC ±0.05	SEE NOTE	APVD	J. CHENG	MINI USB RIGHT ANGLE,
ANGLES ±3		PRODUCT SPEC	27-JUN-2003	SMT, B TYPE
		108-57062		
	FINISH	APPLICATION SPEC	LOC	DRAWING NO
	SEE NOTE		DW	A3
		WEIGHT	SCALE	C-440247
				REV D
				1 OF 4

D	ADD P/N FOR PACKAGE	F200-0149-03	CH	04JUL
LTR	REVISION RECORD	ECN	DWN	2003
			CHK	DATE

PRINT DW
THIS INFORMATION IS CONFIDENTIAL AND IS DISCLOSED TO YOU ON CONDITION THAT NO PARTS OR DISASSEMBLED PARTS WILL BE MADE BY YOU OR OTHER THAN AMP PERSONNEL WITHOUT DIMENSION IN MILLIMETERS. DO NOT SCALE PRINT.

8 | 7 | 6 | 5 | 4 | 3 | 2 | 1 | CUSTOMER DRAWING

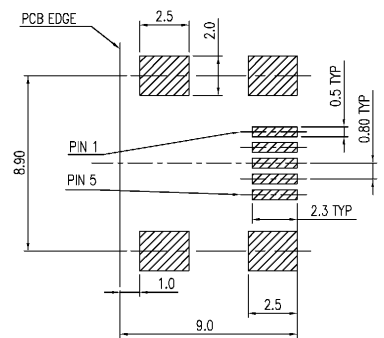
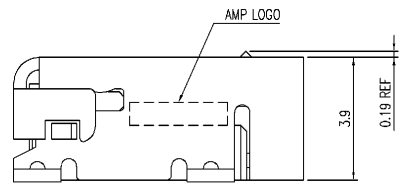
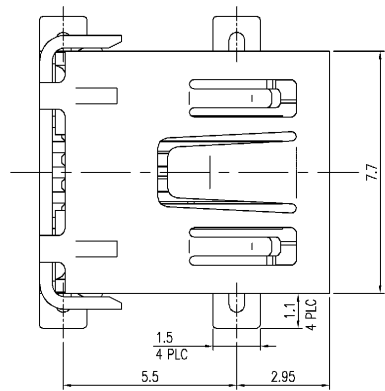
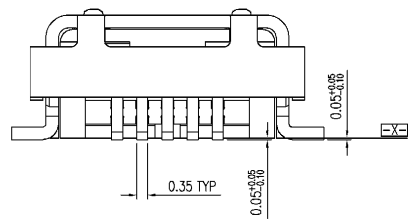
D
C
B
A

NUMBER C-440247

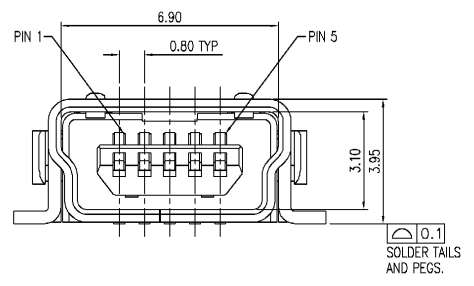


METRIC

PRINT DIST DW THIS INFORMATION IS CONFIDENTIAL AND IS DISCLOSED TO YOU ON CONDITION THAT NO FURTHER DISCLOSURE IS MADE BY YOU TO OTHER THAN AMP PERSONNEL WITHOUT THE WRITTEN PERMISSION OF AMP. DIMENSION IN MILLIMETERS. DO NOT SCALE PRINT.



RECOMMENDED PCB LAYOUT (MOUNTING SIDE)
THICKNESS 1.57mm



W/O	W/	TAPE REEL	W/O	1-440247-3
	W/O	TAPE REEL	W/O	1-440247-2
	N/A	TRAY	W/O	1-440247-1
MYLAR	LONG CARRIER & COVER TAPE	PACKAGE	POST	PART NUMBER

DIMENSION :	DWN	O. HU		TYCO HOLDINGS (BERMUDA) VII LTD. TAIWAN BRANCH
	0 PLC ±0.38	27-JUN-2003		
1 PLC ±0.25	CHK	A. WU	NAME	
2 PLC ±0.13		27-JUN-2003	MINI USB RIGHT ANGLE, SMT, B TYPE	
3 PLC ±0.05	MATERIAL	APVD	J. CHENG	
ANGLES ±3	SEE SHEET 1.	PRODUCT SPEC	108-57062	
	FINISH	APPLICATION SPEC	LOC	SIZE
	SEE SHEET 1.	WEIGHT	DW	DRAWING NO
			SCALE	C-440247
				REV
				D
				SHEET
				2 OF 4

SEE SHEET 1.	ECN	DWN	CHK	DATE
LTR	REVISION RECORD			

CUSTOMER DRAWING

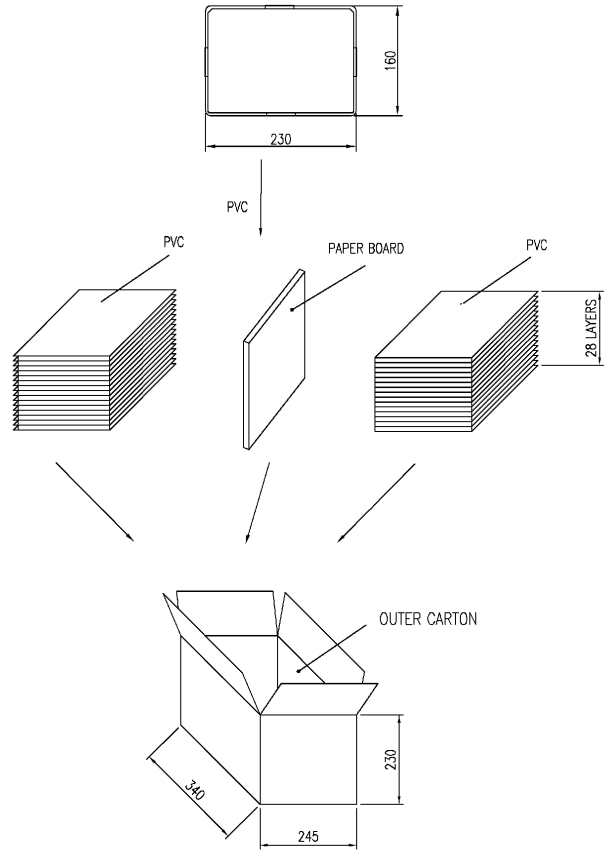
8 | 7 | 6 | 5 | 4 | 3 | 2 | 1

NUMBER C-440247



METRIC

PRINT DIST DW THIS INFORMATION IS CONFIDENTIAL AND IS DISCLOSED TO YOU ON CONDITION THAT NO FURTHER DISCLOSURE IS MADE BY YOU TO OTHER THAN AMP PERSONNEL WITHOUT PERMISSION FROM AMP. DIMENSION IN MILLIMETERS. DO NOT SCALE PRINT.



9.2	6.7	8400 (56 TRAY)	150	1-440247-1 440247-1
G.W(KGS)	N.W(KGS)	PACKAGING QTY' / CARTON	PCS/TRAY	PART NUMBER
DIMENSION :		DWN	O. HU	 TYCO HOLDINGS (BERMUDA) VII LTD. TAIWAN BRANCH
0 PLC	1 PLC	27-JUN-2003	27-JUN-2003	
2 PLC	3 PLC	27-JUN-2003	27-JUN-2003	NAME
ANGLES				MINI USB RIGHT ANGLE, SMT, B TYPE
MATERIAL		APVD	J. CHENG	
-		PRODUCT SPEC	27-JUN-2003	
FINISH		APPLICATION SPEC	-	LOC
-		WEIGHT	-	SIZE
				DRAWING NO
				C-440247
				REV
				D
				SCALE
				3
				SHEET
				3 OF 4

SEE SHEET 1.				
LTR	REVISION RECORD	ECN	DWN_CHK	DATE

8 | 7 | 6 | 5 | 4 | 3 | 2 | 1 | CUSTOMER DRAWING

D
C
B
A

NUMBER C-440247

3RD ANGLE PROJECTION

METRIC

PRINT DW
 THIS INFORMATION IS CONFIDENTIAL AND IS DISCLOSED TO YOU ON CONDITION THAT NO FURTHER DISCLOSURE IS MADE BY YOU TO OTHER THAN AMP PERSONNEL WITHOUT THE WRITTEN PERMISSION OF AMP. DO NOT SCALE PRINT.

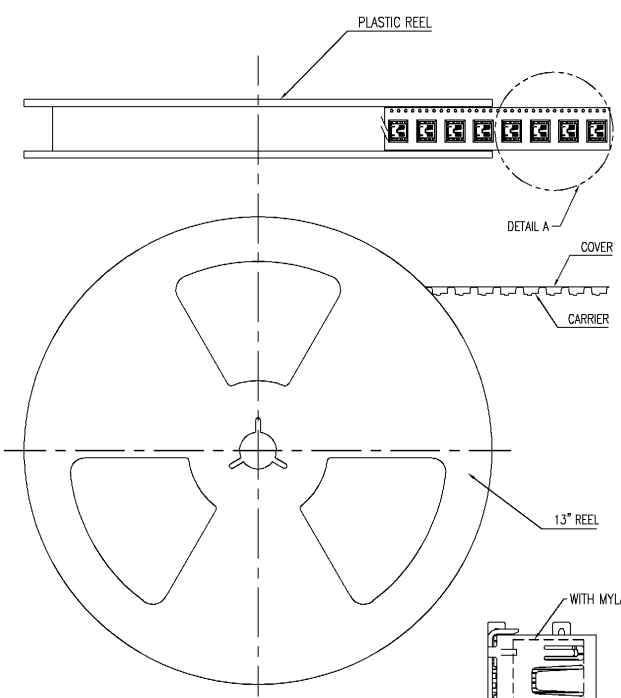
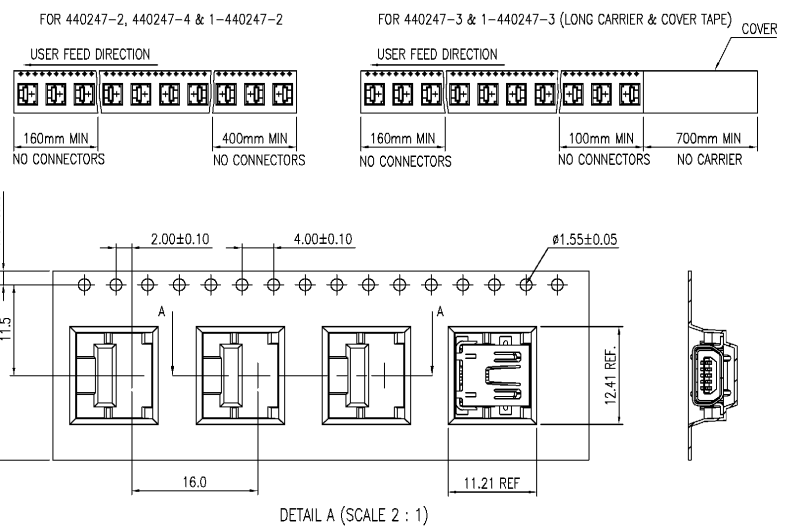
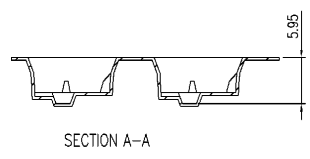


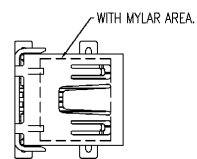
FIGURE E



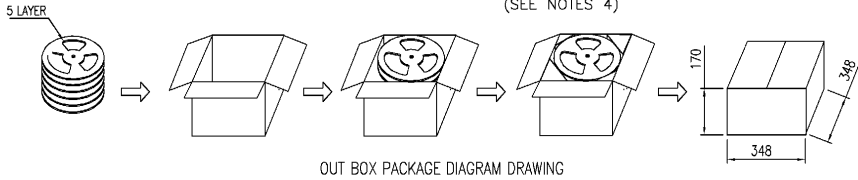
DETAIL A (SCALE 2 : 1)



SECTION A-A



VIEW A (SEE NOTES 4)



OUT BOX PACKAGE DIAGRAM DRAWING

- NOTES:
1. APPLICABLE DOCUMENT : EIA-481-2
 2. PACKAGE: 700 PCS/REEL , 5 REEL/BOX
W.G. : 6.5Kg , N.G. : 5.5Kg
 3. QUANTITY: 3500 PCS.
 4. VIEW SHOW THE MYLAR AREA FOR P/N 440247-4

W/O	W/	1-440247-3
W/O	W/O	1-440247-2
W/	W/O	440247-4
W/O	W/	440247-3
W/O	W/O	440247-2
MYLAR	LONG CARRIER & COVER TAPE	PART NUMBER

DIMENSION : 0 PLC 1 PLC 2 PLC 3 PLC ANGLES		DWN O. HU 27-JUN-2003 CHK A. WU 27-JUN-2003	tyco Electronics NAME TYCO HOLDINGS (BERMUDA) VII LTD. TAIWAN BRANCH
MATERIAL -		APVD J. CHENG 27-JUN-2003	MINI USB RIGHT ANGLE, SMT, B TYPE
FINISH -		APPLICATION SPEC -	LOC SIZE DRAWING NO DW A3 C-440247 SCALE REV D -- 4 OF 4
WEIGHT -		WEIGHT -	SHEET 4 OF 4

SEE SHEET 1.				
LTR	REVISION RECORD	ECN	DWN_CHK	DATE

8 7 6 5 4 3 2 1 CUSTOMER DRAWING