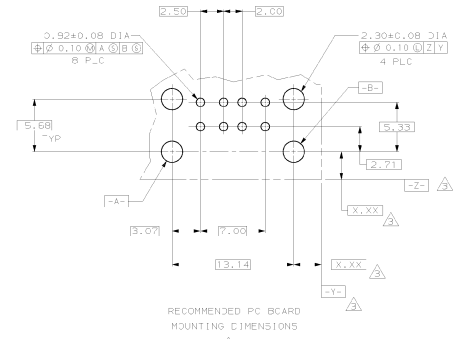
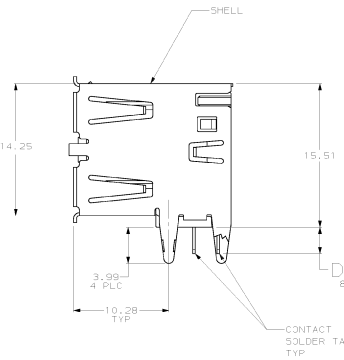
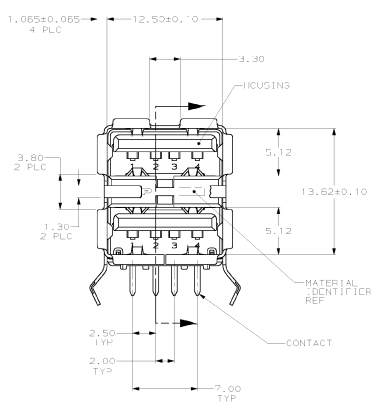


MATERIALS:
 SHELL & CONTACTS- COPPER ALLOY.
 HOUSING- UL 94V-0 RATED, THERMOPLASTIC, SEE TABLE.

PLATING:
 CONTACTS- 0.076μm MINIMUM GOLD OVER 0.76μm MINIMUM PALLADIUM-NICKEL ON MATING AREA, OR CONTACT ALTERNATE PLATING 0.76μm MINIMUM GOLD ON MATING AREA.
 3.80μm MINIMUM TIN-LEAD ON SOLDER TAILS.
 SHELL- 5.10μm MINIMUM BRIGHT TIN OVER 2.50μm MINIMUM COPPER.

CATUM AND BASIC DIMENSIONS ESTABLISHED BY CUSTOMER.
 RECOMMENDED PC BOARD THICKNESS OF 1.57.



YES	2.84±0.25	NATURAL	787745-6															
YES	2.25±0.25	BLACK	787745-5															
YES	2.81±0.25	BLACK	787745-4															
NO	2.84±0.25	NATURAL	787745-3															
NO	2.25±0.25	BLACK	787745-2															
NO	2.64±0.25	BLACK	787745-1															
HIGH TEMPERATURE COMPATIBLE		D	ICUSING COLOR PART NUMBER															
<table border="1"> <tr> <td>DESIGNER</td> <td>DATE</td> <td>REV</td> <td>BY</td> <td>CHKD</td> <td>APP'D</td> </tr> <tr> <td></td> <td></td> <td></td> <td></td> <td></td> <td></td> </tr> </table>				DESIGNER	DATE	REV	BY	CHKD	APP'D									
DESIGNER	DATE	REV	BY	CHKD	APP'D													
<table border="1"> <tr> <td>REV</td> <td>DATE</td> <td>DESCRIPTION</td> </tr> <tr> <td>1</td> <td>108-1588</td> <td>RECEPTACLE ASSEMBLY, RIGHT ANGLE, STACKED, THRU-HOLE, USB</td> </tr> <tr> <td>2</td> <td>114-80054</td> <td></td> </tr> </table>		REV	DATE	DESCRIPTION	1	108-1588	RECEPTACLE ASSEMBLY, RIGHT ANGLE, STACKED, THRU-HOLE, USB	2	114-80054		<table border="1"> <tr> <td>REV</td> <td>DATE</td> <td>DESCRIPTION</td> </tr> <tr> <td>A1</td> <td>00779</td> <td>787745</td> </tr> </table>		REV	DATE	DESCRIPTION	A1	00779	787745
REV	DATE	DESCRIPTION																
1	108-1588	RECEPTACLE ASSEMBLY, RIGHT ANGLE, STACKED, THRU-HOLE, USB																
2	114-80054																	
REV	DATE	DESCRIPTION																
A1	00779	787745																