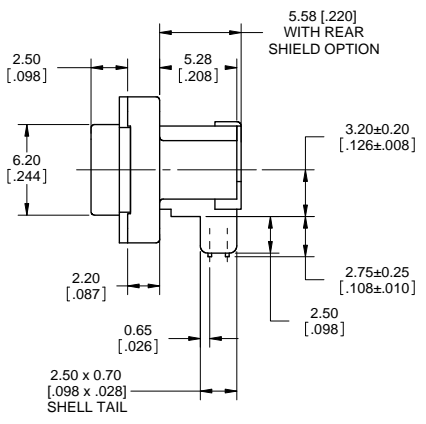
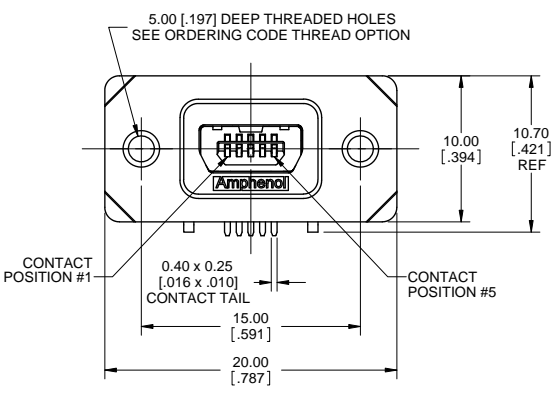


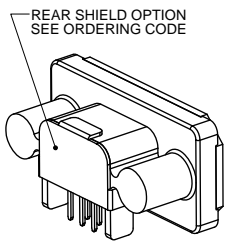
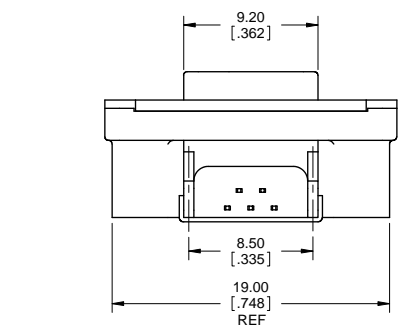
REVISIONS			
REV	DESCRIPTION, ECN, EAR NO.	DATE	APP'D
E	REV PER EAR 13750	MAR21/11	K.L.



ORDERING CODE: MUSB-E151-XX

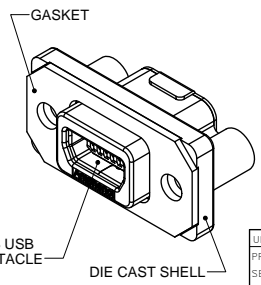
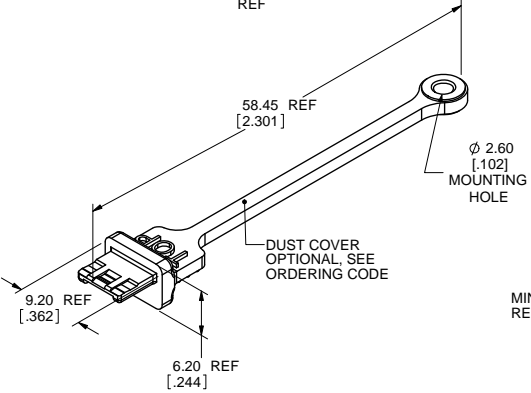
- SERIES, RUGGED USB
- USB 'MINI-AB' RECEPTACLE, SINGLE PORT, RIGHT ANGLE PCB TAILS
- REAR SHIELD & THREAD OPTION
 0=NO REAR SHIELD, #2-56 UNC THREAD
 3= WITH REAR SHIELD, #2-56 UNC THREAD
 M= WITH REAR SHIELD, M2.5 X 0.45 THREAD
 N= NO REAR SHIELD, M2.5 X 0.45 THREAD
- DUST COVER OPTION
 0=NO DUST COVER SUPPLIED
 1=WITH GREY DUST COVER SUPPLIED
 4=NO DUST COVER SUPPLIED
 5=WITH BLACK DUST COVER SUPPLIED
- NOTE: THERE IS NO DIFFERENCE BETWEEN DUST COVER OPTIONS '0' AND '4'

SPECIAL CONNECTORS:
 MANY UNIQUE FEATURES ARE READILY AVAILABLE TO SUIT CUSTOMER REQUIREMENTS. CONSULT WITH AMPHENOL CANADA FOR DETAILS.



NOTES:

- MATERIAL:
 ALL MATERIALS ARE RoHS COMPLIANT PER EU DIRECTIVE 2002/95/EC AND AMENDMENTS
 - OUTER SHELL: DIE CAST ZINC ALLOY, NICKEL PLATED
 - CONTACTS: PHOSPHOR BRONZE, PLATED WITH 0.76 MICRONS [30u"] GOLD OVER 1.27 MICRONS [50u"] MINIMUM NICKEL ON THE MATING AREA WITH TIN OVER NICKEL ON THE TAILS.
 - USB HOUSING: ENGINEERING THERMOPLASTIC, FLAMMABILITY RATING UL94V-0, BLACK.
 - USB SHELL & REAR SHIELD: COPPER ALLOY, NICKEL PLATED
 - GASKET: PORON WITH ADHESIVE BACKING.
 - DUST COVER: SILICONE RUBBER WITH NICKEL PLATED COPPER ALLOY BUSHING.
- ENVIRONMENTAL PERFORMANCE PER IEC 60529 CODE IP67 FOR SEAL BETWEEN MATING AREA AND PCB SIDE OF CONNECTOR. GASKET PROVIDES SEAL TO INSIDE FACE OF ENCLOSURE PANEL. AVAILABLE DUST COVERS PROVIDED PROTECTION. SEE SHEET 2 FOR APPLICATION VIEW.
- CURRENT RATING: 1 AMPERE.
- CONTACT RESISTANCE: 50 MILLIOHMS MAXIMUM.
- OPERATING TEMPERATURE: -40°C TO +105°C.
- DUST COVERS MAY BE ORDERED SEPARATELY. SPECIFY
 - PART NUMBER MUSB-2E151-005BP FOR GREY COVER
 - PART NUMBER MUSB-2E151-015BP FOR BLACK COVER
- RECOMMENDED TORQUE FOR PANEL MOUNT SCREWS: 0.23 TO 0.34 N.m (2.00 TO 3.00 IN-LBS) FOR SCREWS WITH 2.50mm (.098") THREAD ENGAGEMENT.
- RECOMMENDED ENCLOSURE PANEL: 1.20 TO 2.50mm (.047 TO .098") THICK.



UNLESS SPECIFIED OTHERWISE	DRAWN	S.SEMENOV	AUG31/06
PRIMARY UNITS MILLIMETERS	CHECKED		
SECONDARY	INCHES	M.E. APP'D	
REFERENCE IN PARENTHESES		G.A. APP'D	
GENERAL TOLERANCES	DWG APPR.	A.GREEN	AUG31/06
1 DECIMAL PLACES ±0.25	ENG. REL. NO.		
2 DECIMAL PLACES ±0.10	REF.		
3 DECIMAL PLACES	THIRD ANGLE PROJECTION	DO NOT SCALE DRAWING	
ANGULAR DEGREES ±1°			

Amphenol Canada Corp.
 www.amphenolcanada.com

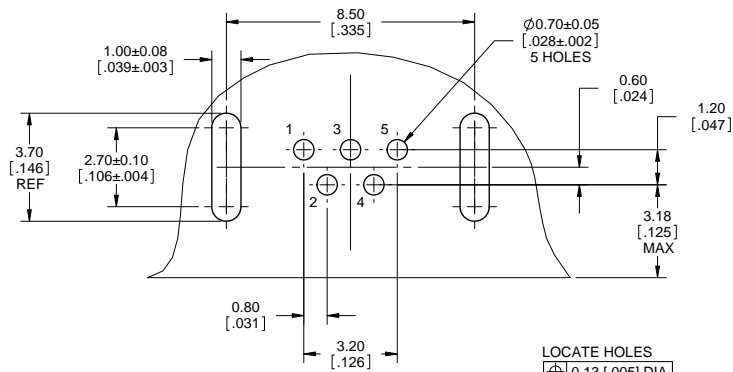
MUSB SERIES RUGGED MINI-AB USB RECEPTACLE, RIGHT ANGLE PCB TAIL, THREAD & COVER OPTIONS, RoHS COMPLIANT

DWG. NO. **P-MUSB-E151-XX**

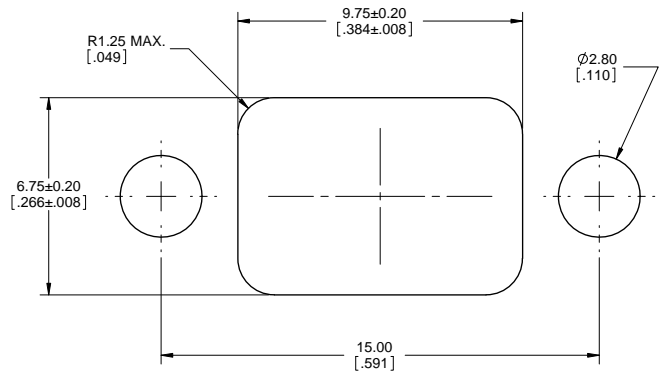
CODE ID NO. 03554 DWG SIZE: C SCALE: 5:1 SHEET 1 OF 2

THIS DOCUMENT CONTAINS PROPRIETARY INFORMATION AND SUCH INFORMATION MAY NOT BE DISCLOSED TO OTHERS FOR ANY PURPOSE OR USED FOR MANUFACTURING PURPOSES WITHOUT WRITTEN PERMISSION FROM AMPHENOL CANADA CORP.

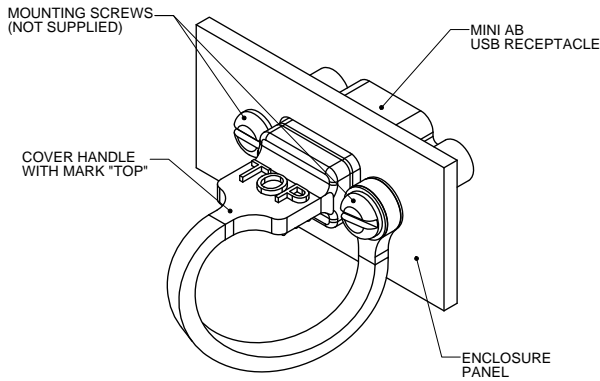
REVISIONS			
REV	DESCRIPTION, ECN, EAR NO.	DATE	APP'D
E	REV PER EAR 13750	MAR21/11	K.L.



RECOMMENDED P.C.B LAYOUT
COMPONENT SIDE OF BOARD



RECOMMENDED PANEL CUTOUT



DUST COVER APPLICATION



THIS DOCUMENT CONTAINS PROPRIETARY INFORMATION AND SUCH INFORMATION MAY NOT BE DISCLOSED TO OTHERS FOR ANY PURPOSE OR USED FOR MANUFACTURING PURPOSES WITHOUT WRITTEN PERMISSION FROM AMPHENOL CANADA CORP.

UNLESS SPECIFIED OTHERWISE	DRAWN	S.SEMENOV	AUG31/06
PRIMARY UNITS MILLIMETERS	CHECKED		
SECONDARY INCHES	M.E. APP'D		
REFERENCE IN PARENTHESES	G.A. APP'D		
GENERAL TOLERANCES	DWG APPR.	A.GREEN	AUG31/06
1 DECIMAL PLACE ±0.25	ENG. REL. NO.		
2 DECIMAL PLACES ±0.10	REF.		
3 DECIMAL PLACES ±0.05	THIRD ANGLE PROJECTION		
ANGULAR DEGREES ±1°	DO NOT SCALE DRAWING		

Amphenol Canada Corp.
www.amphenolcanada.com

MUSB SERIES RUGGED MINI-AB USB RECEPTACLE, RIGHT ANGLE PCB TAIL, THREAD & COVER OPTIONS, RoHS COMPLIANT

DWG. NO.	P-MUSB-E151-XX	REV	E
CODE ID NO. 03554	DWG SIZE: C	SCALE: 5:1	SHEET 2 OF 2