

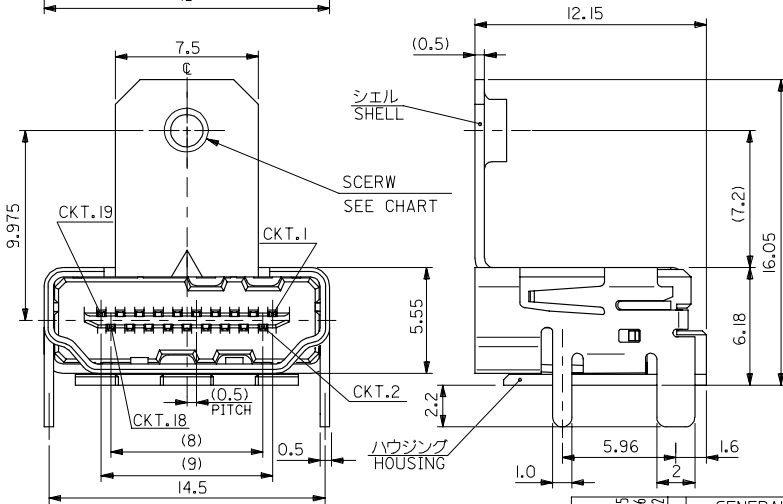
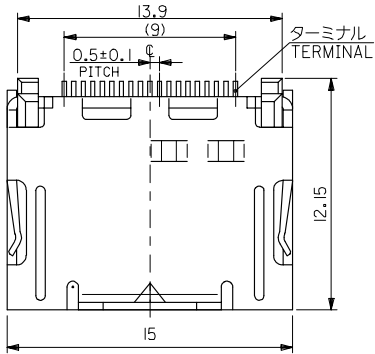
- NOTES**
1. 一般公差: ±0.5
GENERAL TOLERANCES: ±0.5
 2. 反り: 2MAX.
WARP: 2MAX.
 3. 1トレイの梱包数: 60個
QUANTITY IN ONE TRAY: 60 PCS.
 4. 標準梱包数: 300個
STANDARD PACKAGING QUANTITY: 300 PCS.
 5. トレイは、180° 反転させ交互に重ねる。
TRAYS SHOULD BE PILED ALTERNATELY.

500254-1941
500254-1931
適用製品番号
APPLICABLE PART No.

MATERIAL
POLYSTYRENE SHEET (t=1.0)
WHITE

REVISED ECN NO. J2005-1358 DRAWN BY T. HARUYAMA CHKD BY CHIKO NIKITA APPR. BY NIKITA 2004/11/30 2004/11/30 2004/12/06	GENERAL TOLERANCES (UNLESS SPECIFIED)		DIMENSION STYLE MM ONLY		SCALE 2:1	DESIGN UNITS METRIC	THIRD ANGLE PROJECTION	
	10 UNDER	±---	DRAWN BY T. HARUYAMA	DATE '04/02/25	TITLE TRAY FOR HDMI CONN. R/A WITH FLANGE -LEAD FREE-			
	10 OVER 30 UNDER	±---	CHECKED BY M. ENOMOTO	DATE '04/02/25	MOLEX INCORPORATED			
	30 OVER	±---	APPROVED BY M. ENOMOTO	DATE '04/02/25	DOCUMENT NO. SD-500254-004			
ANGULAR ±---°		DRAFT WHERE APPLICABLE MUST REMAIN WITHIN DIMENSIONS		MATERIAL NO. 59410-0097	SHEET NO. 1 OF 1			
SIZE A3				THIS DRAWING CONTAINS INFORMATION THAT IS PROPRIETARY TO MOLEX INCORPORATED AND SHOULD NOT BE USED WITHOUT WRITTEN PERMISSION				

10 9 8 7 6 5 4 3 2 1



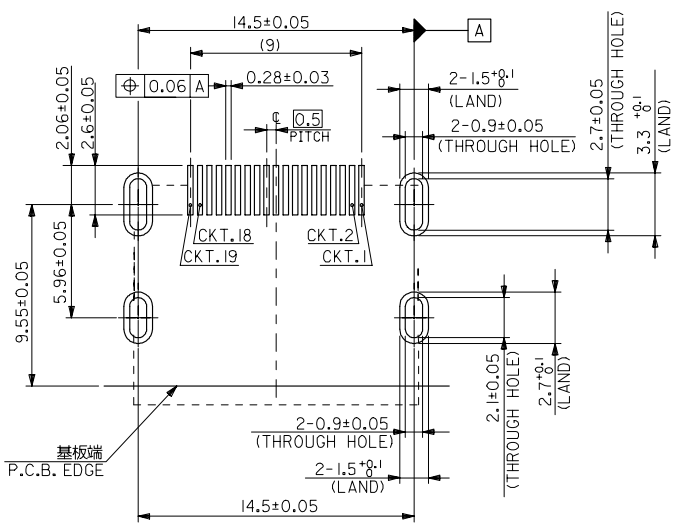
- 注記 1. 材質**
MATERIAL
 ハウジング: ガラス入り耐熱樹脂
HOUSING: GLASS FULLED HEAT-RESISTED RESIN, UL94V-0
 ターミナル: 銅合金
TERMINAL: COPPER ALLOY
 シェル: 銅合金
SHELL: COPPER ALLOY
- 2. めっき仕様**
PLATING
 ターミナル: <接点部> 金めっき 0.76マイクロメートル以上
TERMINAL: <CONTACT AREA> GOLD(AU) 0.76 MICROMETER MINIMUM.
 <半田付け部> 錫めっき 1.0マイクロメートル以上
 <SOLDER TAIL AREA> TIN(SN) 1.0 MICROMETER MINIMUM.
 <下地> ニッケルめっき 2マイクロメートル以上
 <UNDER-PLATING> NICKEL(NI) 2 MICROMETER MINIMUM.
 シェル: 錫めっき 1.0マイクロメートル以上
SHELL: TIN(SN) 1.0 MICROMETER MINIMUM.
 下地: ニッケルめっき 1.27マイクロメートル以上
 UNDER-PLATING NICKEL (NI) 1.27 MICROMETER MINIMUM.
- 3. ネジ締めトルク**
SCREWING TORQUE

	推奨ネジ締めトルク RECOMMENDED SCREWING TORQUE	最大許容ネジ締めトルク TORQUE LIMIT
500254-1931	0.343N-m {3.5kgf-cm} MAXIMUM.	0.392N-m {4.0kgf-cm} MAXIMUM.
500254-1941	0.294N-m {3.0kgf-cm} MAXIMUM.	0.343N-m {3.5kgf-cm} MAXIMUM.

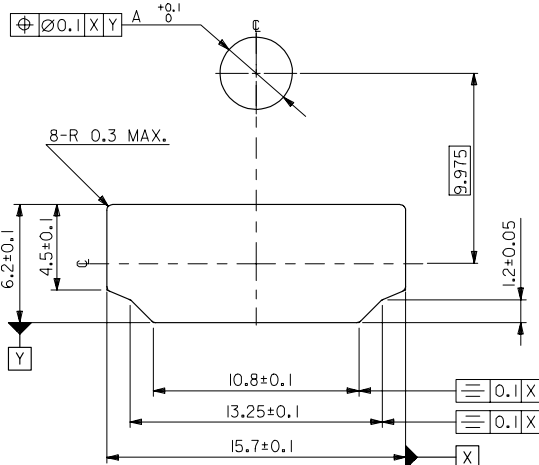
- 4. テール部の平坦度: 0.1 MAXIMUM.**
COPLANALITY OF TAIL: 0.1 MAXIMUM.

No.4-40UNC	500254-1941	19
M3x0.5	500254-1931	
SCREW	TRAY PACKAGING	CIRCUITS
	MATERIAL NO.	

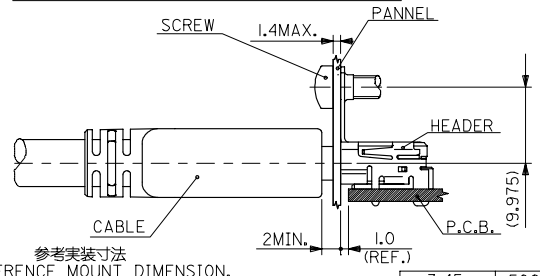
REVISED IEC NO. J2006-0032 2005/07/05 DRAWN: H. NABEI 2005/07/06 CHK: K. TOYODA 2005/07/12 APPR: N. KITA 2005/07/12	GENERAL TOLERANCES (UNLESS SPECIFIED)		DIMENSION STYLE MM ONLY		SCALE 5:1	DESIGN UNITS METRIC	THIRD ANGLE PROJECTION
	10 UNDER	±0.2	DRAWN BY K. TOYODA	DATE '04/03/26	TITLE HDMI RIGHT ANGLE HEADER ASSY WITH FLANGE -LEAD FREE- MOLEX INCORPORATED		
	10 OVER 30 UNDER	±0.25	CHECKED BY K. ASAKAWA	DATE '04/03/26			
	30 OVER	±0.3	APPROVED BY S. ICHIKAWA	DATE '04/03/26			
ANGULAR	±3 °	DRAFT WHERE APPLICABLE MUST REMAIN WITHIN DIMENSIONS		MATERIAL NO. SEE CHART	DOCUMENT NO. SD-500254-006	SHEET NO. 1 OF 2	



推奨基板寸法
RECOMMENDED P.C.B. PATTERN LAYOUT (t=1.6±0.15)
(COMPONENT SIDE)



参考パネル寸法
REFERENCE PANEL CUT OUT DIMENSION.



参考実装寸法
REFERENCE MOUNT DIMENSION.
(SCALE 2:1)

3.45	500254-1941
3.6	500254-1931
A	TRAY PACKAGE

REVISED EC NO: J2006-0032 2005/07/05 DRW:HWABEI CHK:KTOYODA 2005/07/06 APPR:NIKIITA 2005/07/12	GENERAL TOLERANCES (UNLESS SPECIFIED)		DIMENSION STYLE MM ONLY		SCALE 5:1	DESIGN UNITS METRIC	THIRD ANGLE PROJECTION
	10 UNDER	±0.2	DRAWN BY K. TOYODA	DATE '04/03/26	TITLE HDMI RIGHT ANGLE HEADER ASSY WITH FLANGE -LEAD FREE- MOLEX INCORPORATED		
	10 OVER 30 UNDER	±0.25	CHECKED BY K. ASAKAWA	DATE '04/03/26			
	30 OVER	±0.3	APPROVED BY S. ICHIKAWA	DATE '04/03/26			
ANGULAR	±3 °	MATERIAL NO. SEE CHART		DOCUMENT NO. SD-500254-006	SHEET NO. 2 OF 2		
DRAFT WHERE APPLICABLE MUST REMAIN WITHIN DIMENSIONS		SIZE A3		THIS DRAWING CONTAINS INFORMATION THAT IS PROPRIETARY TO MOLEX INCORPORATED AND SHOULD NOT BE USED WITHOUT WRITTEN PERMISSION			