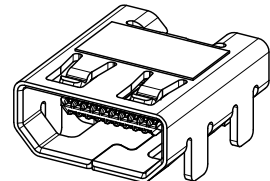
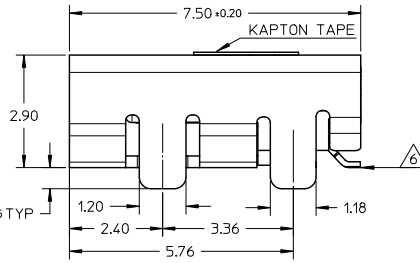
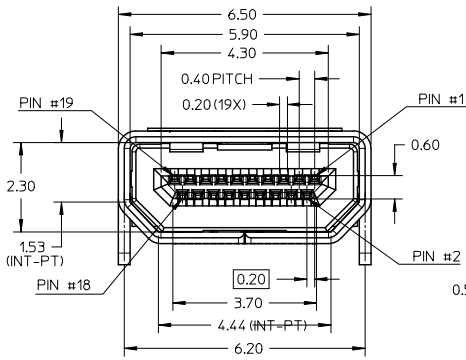


- NOTES:
- MATERIALS: HOUSING: LCP, 30% GLASS FILLED, UL94V-0; TERMINALS: COPPER ALLOY; SHIELD: STAINLESS STEEL
 - FINISHES: TERMINALS: GOLD ON CONTACT AREA (Refer Table), 0.05UM MIN GOLD FLASH ON SOLDER TAILS, AND 2.0UM MIN NICKEL UNDERPLATE OVERALL; SHIELD: MATTE TIN (Refer Table) OVER 1.27UM MIN NICKEL
 - PRODUCT SPECIFICATION: PS-46765-001
 - PACKAGING SPECIFICATION: PACKED IN TAPE & REEL
 - SEE SHEET 4 OF 5 FOR RECOMMENDED PCB LAYOUT
 - TERMINAL SOLDER-TAIL COPLANARITY 0.08 MAX

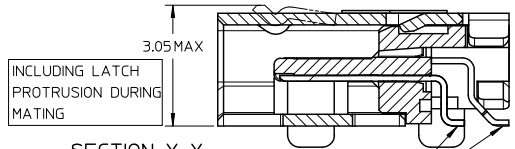
	Contact: 0.76µM Gold Min Shield: 3.8µM Tin Min	Contact: 0.38µM Gold Min Shield: 2.0µM Tin Min
MOUNTING TYPE	PART NUMBER	PART NUMBER
SMT TYPE+KAPTON TAPE	46765-0001	46765-0301
SMT TYPE	46765-0011	46765-0311

RELEASED EC NO: S2011-0647 DRW:MKSHANTHA 2011/02/18 CHKD:JESSECHUA 2011/03/29 APPR:NAGESHKN 2011/03/29	DESCRIPTION MICRO HDMI, TYPE-D RECEPTACLE CONNECTOR	QUALITY SYMBOLS	GENERAL TOLERANCES (UNLESS SPECIFIED)	DIMENSION STYLE	SCALE	DESIGN UNITS	THIRD ANGLE PROJECTION
		▽=0 ▽=0	mm INCH 4 PLACES ± --- ± --- 3 PLACES ± --- ± --- 2 PLACES ± 0.1 ± --- 1 PLACE ± --- ± --- ANGULAR ± 2 °	MM ONLY	NTS	METRIC	
		DRAWN BY: MKAMARAU CHECKED BY: MKAMARAU APPROVED BY: NAGESHKN DATE: 2008/10/14 DATE: 2008/10/14 DATE: 2010/11/19	MATERIAL NO. SEE TABLE	TITLE MICRO HDMI, TYPE-D 0.4MM PITCH, 19CKT RECEPTACLE CONNECTOR	MOLEX INCORPORATED	SHEET NO. 1 OF 5	
		DRAFT WHERE APPLICABLE MUST REMAIN WITHIN DIMENSIONS	THIS DRAWING CONTAINS INFORMATION THAT IS PROPRIETARY TO MOLEX INCORPORATED AND SHOULD NOT BE USED WITHOUT WRITTEN PERMISSION	DOCUMENT NO. SD-46765-001			

10 9 8 7 6 5 4 3 2 1



MICRO HDMI-THRU HOLE TYPE MOUNTING ISOMETRIC VIEW



SECTION Y-Y

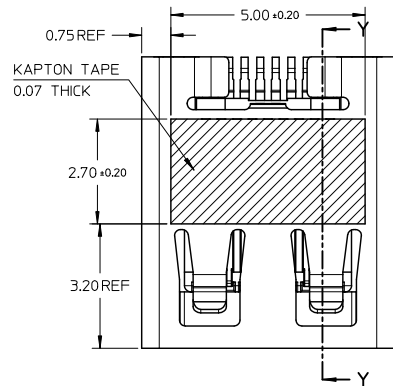
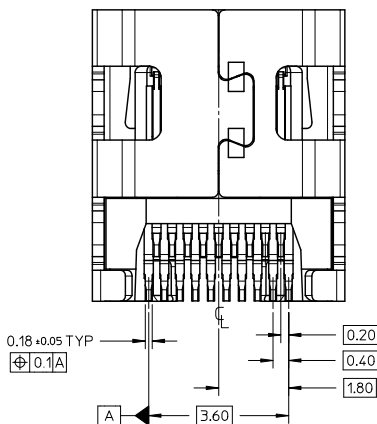
SELECTIVE GOLD FLASH ON SOLDERING FACE ONLY

NOTES:

- MATERIALS:
HOUSING: LCP, 30% GLASS FILLED, UL94V-0
TERMINALS: COPPER ALLOY
SHIELD: STAINLESS STEEL
- FINISHES:
TERMINALS: GOLD ON CONTACT AREA (Refer Table),
0.05UM MIN GOLD FLASH ON SOLDER TAILS,
AND 2.0UM MIN NICKEL UNDERPLATE OVERALL
SHIELD: MATTE TIN (Refer Table) OVER 1.27UM MIN NICKEL
- PRODUCT SPECIFICATION: PS-46765-001
- PACKAGING SPECIFICATION: PACKED IN TAPE & REEL
- SEE SHEET 4 OF 5 FOR RECOMMENDED PCB LAYOUT

△ TERMINAL SOLDER-TAIL COPLANARITY 0.08 MAX

	Contact: 0.76µm Gold Min Shield: 3.8µm Tin Min	Contact: 0.38µm Gold Min Shield: 2.0µm Tin Min
MOUNTING TYPE	PART NUMBER	PART NUMBER
THRU HOLE TYPE+KAPTON TAPE	46765-1001	46765-1301
THRU HOLE TYPE	46765-1011	46765-1311



RELEASED
EC NO: S2011-0647
DRWN:KSHANTHA 2011/02/18
CHKD:JESSIECHIA 2011/03/29
APPR:NAGESHKN 2011/03/29

QUALITY SYMBOLS
▽=0
▽=0

GENERAL TOLERANCES (UNLESS SPECIFIED)

	mm	INCH
4 PLACES	± ---	± ---
3 PLACES	± ---	± ---
2 PLACES	± 0.1	± ---
1 PLACE	± ---	± ---
ANGULAR ± 2 °		

DRAFT WHERE APPLICABLE MUST REMAIN WITHIN DIMENSIONS

DIMENSION STYLE
MM ONLY

DRAWN BY	DATE
CHKED BY	DATE
APPROVED BY	DATE

MATERIAL NO.
SEE TABLE

SCALE
NTS

DESIGN UNITS
METRIC

THIRD ANGLE PROJECTION

TITLE
MICRO HDMI, TYPE-D
0.4MM PITCH, 19CKT
RECEPTACLE CONNECTOR

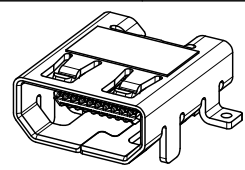
MOLEX INCORPORATED

DOCUMENT NO.
SD-46765-001

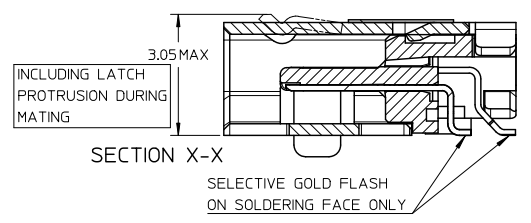
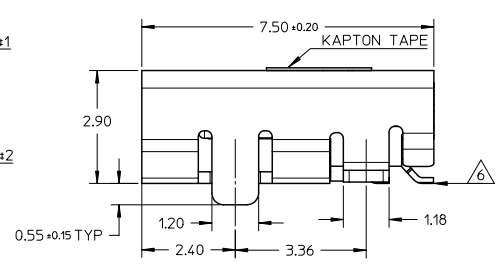
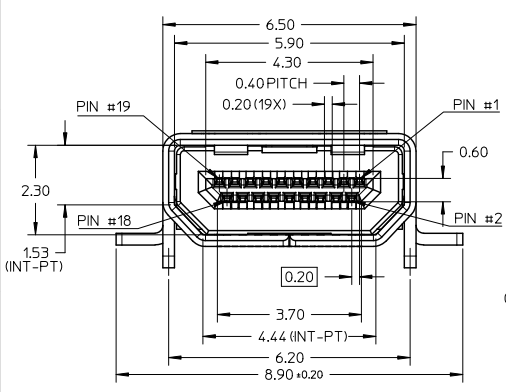
SHEET NO.
2 OF 5

9 8 7 6 5 4 3 2 1

10 9 8 7 6 5 4 3 2 1

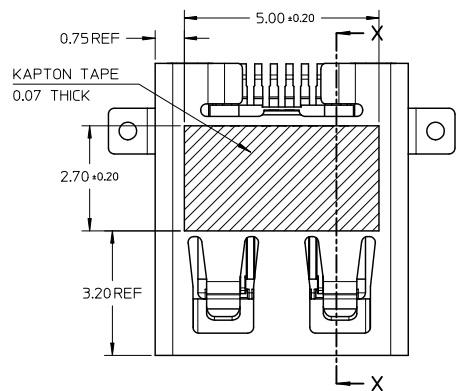
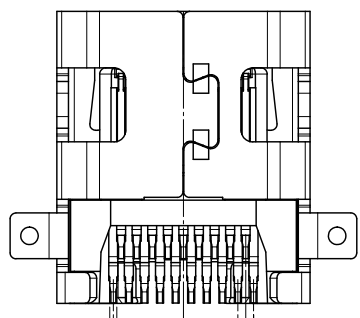


MICRO HDMI-HYBRID TYPE MOUNTING ISOMETRIC VIEW



- NOTES:
- MATERIALS:
 - HOUSING: LCP, 30% GLASS FILLED, UL94V-0
 - TERMINALS: COPPER ALLOY
 - SHIELD: STAINLESS STEEL
 - FINISHES:
 - TERMINALS: GOLD ON CONTACT AREA (Refer Table), 0.05UM MIN GOLD FLASH ON SOLDER TAILS, AND 2.0UM MIN NICKEL UNDERPLATE OVERALL
 - SHIELD: MATTE TIN (Refer Table) OVER 1.27UM MIN NICKEL
 - PRODUCT SPECIFICATION: PS-46765-001
 - PACKAGING SPECIFICATION: PACKED IN TAPE & REEL
 - SEE SHEET 4 OF 5 FOR RECOMMENDED PCB LAYOUT
 - TERMINAL SOLDER-TAIL COPLANARITY 0.08 MAX

	Contact: 0.76µM Gold Min Shield: 3.8µM Tin Min	Contact: 0.38µM Gold Min Shield: 2.0µM Tin Min
MOUNTING TYPE	PART NUMBER	PART NUMBER
HYBRID TYPE+KAPTON TAPE	46765-2001	46765-2301
HYBRID TYPE	46765-2011	46765-2311



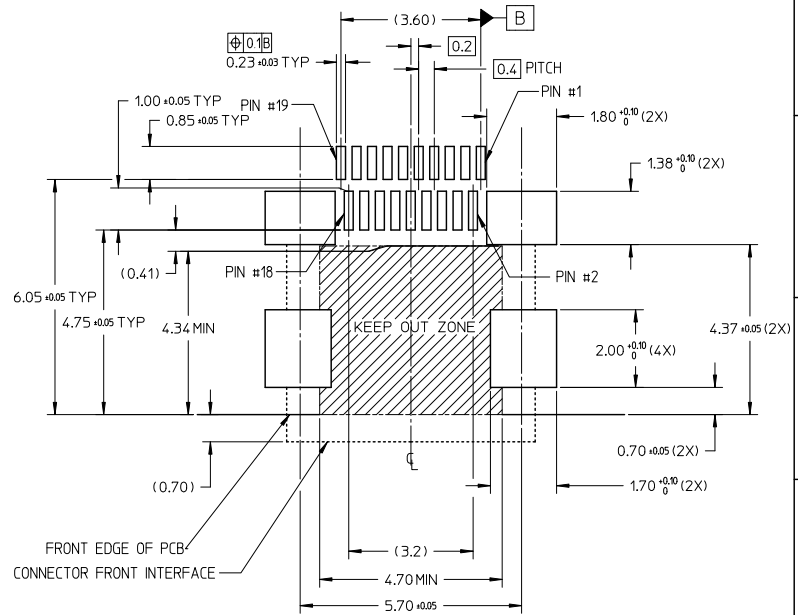
RELEASED EC NO: S2011-0647 DRWN: S2011-0647 CHYK: JESSIE CHUA APPR: NAGESHKN 2011/02/18 2011/03/29 2011/03/29	QUALITY SYMBOLS ▽=0 ▽=0	GENERAL TOLERANCES (UNLESS SPECIFIED)		DIMENSION STYLE		SCALE	DESIGN UNITS	THIRD ANGLE PROJECTION	
				MM ONLY		NTS	METRIC		
				mm	INCH	DRAWN BY DATE		TITLE	
				4 PLACES ± --- ± ---		MKAMARAU 2008/10/14		MICRO HDMI, TYPE-D 0.4MM PITCH, 19CKT RECEPTACLE CONNECTOR	
		3 PLACES ± --- ± ---		CHECKED BY DATE		MOLEX INCORPORATED			
		2 PLACES ± 0.1 ± ---		MKAMARAU 2008/10/14		DOCUMENT NO. SD-46765-001			
		1 PLACE ± --- ± ---		APPROVED BY DATE		SHEET NO. 3 OF 5			
		ANGULAR ± 2 °		NAGESHKN 2010/11/19					
		DRAFT WHERE APPLICABLE MUST REMAIN WITHIN DIMENSIONS		MATERIAL NO. SEE TABLE					
				SIZE A3		THIS DRAWING CONTAINS INFORMATION THAT IS PROPRIETARY TO MOLEX INCORPORATED AND SHOULD NOT BE USED WITHOUT WRITTEN PERMISSION			

9 8 7 6 5 4 3 2 1

10 9 8 7 6 5 4 3 2 1

PIN	SIGNAL ASSIGNMENT
1	Hot Plug Detect
2	Utility
3	TMDS Data2+
4	TMDS Data2 Shield
5	TMDS Data2-
6	TMDS Data1+
7	TMDS Data1 Shield
8	TMDS Data1-
9	TMDS Data0+
10	TMDS Data0 Shield
11	TMDS Data0-
12	TMDS Clock+
13	TMDS Clock Shield
14	TMDS Clock-
15	CEC
16	DDC/CEC Ground
17	SCL
18	SDA
19	+5V Power

CONNECTION	SIGNALS
FIRST MAKE	TYPE D CONNECTOR
SECOND MAKE	CONNECTOR SHELL
THIRD MAKE	PINS 1 - 18
	PIN 19 (+5V POWER)



RECOMMENDED PCB LAYOUT

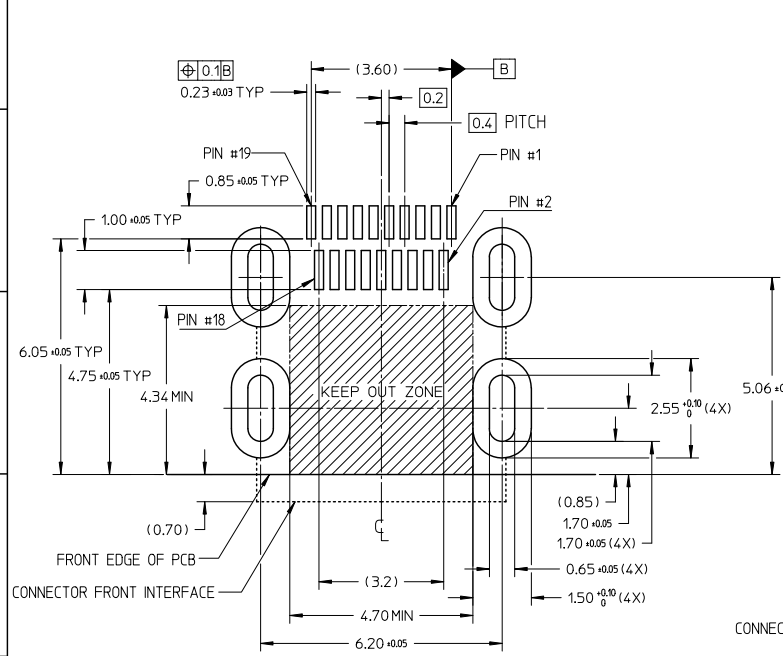
COMPONENT SIDE OF BOARD
SHEET 1 OF 5

RELEASED IEC NO: SZ011-0647 DRWN: SSHANTHA 2011/02/18 CHYK: JESSIECHIA 2011/03/29 APPR: NAGESHKN 2011/03/29 REV:	QUALITY SYMBOLS	GENERAL TOLERANCES (UNLESS SPECIFIED)	DIMENSION STYLE	SCALE	DESIGN UNITS	THIRD ANGLE PROJECTION
	$\nabla=0$ $\nabla=0$	mm INCH	MM ONLY	NTS	METRIC	
		4 PLACES ± --- ± ---	DRAWN BY DATE			TITLE
		3 PLACES ± --- ± ---	MKAMARAU 2008/10/14			MICRO HDMI, TYPE-D 0.4MM PITCH, 19CKT RECEPTACLE CONNECTOR
	2 PLACES ± 0.1 ± ---	CHECKED BY DATE				
	1 PLACE ± --- ± ---	MKAMARAU 2008/10/14				
	ANGULAR ± 2 °	APPROVED BY DATE				
	DRAFT WHERE APPLICABLE MUST REMAIN WITHIN DIMENSIONS	NAGESHKN 2010/11/19				
		MATERIAL NO.	SEE TABLE		DOCUMENT NO.	
					SD-46765-001	
						SHEET NO. 4 OF 5

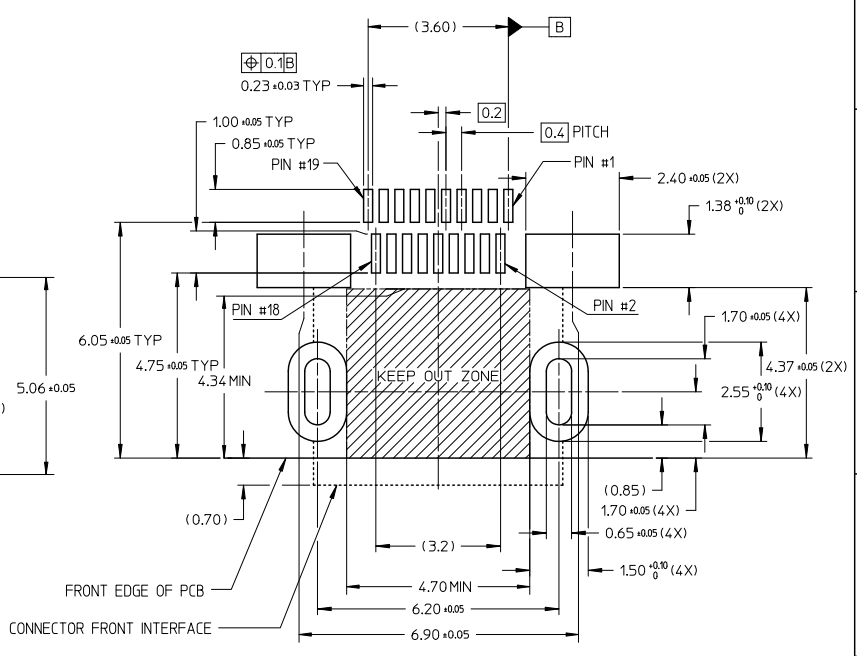
tb_frame_A3_P_AM_T
Rev. E 2006/04/15

9 8 7 6 5 4 3 2 1

10 9 8 7 6 5 4 3 2 1



RECOMMENDED PCB LAYOUT
COMPONENT SIDE OF BOARD
SHEET 2 OF 5



RECOMMENDED PCB LAYOUT
COMPONENT SIDE OF BOARD
SHEET 3 OF 5

RELEASED EC NO: S2011-0647 DRWN: KSHANTHA 2011/02/18 CHYD: JESSIECHUA 2011/03/29 APPR: NAGESHKN 2011/03/29	QUALITY SYMBOLS ◀ = 0 ▽ = 0	GENERAL TOLERANCES (UNLESS SPECIFIED)		DIMENSION STYLE MM ONLY		SCALE NTS	DESIGN UNITS METRIC	THIRD ANGLE PROJECTION	
				DRAWN BY MKAMARAU	DATE 2008/10/14	TITLE MICRO HDMI, TYPE-D 0.4MM PITCH, 19CKT RECEPTACLE CONNECTOR			
				CHECKED BY MKAMARAU	DATE 2008/10/14	MOLEX INCORPORATED 			
				APPROVED BY NAGESHKN	DATE 2010/11/19				
		DRAFT WHERE APPLICABLE MUST REMAIN WITHIN DIMENSIONS		MATERIAL NO. SEE TABLE		DOCUMENT NO. SD-46765-001	SHEET NO. 5 OF 5		