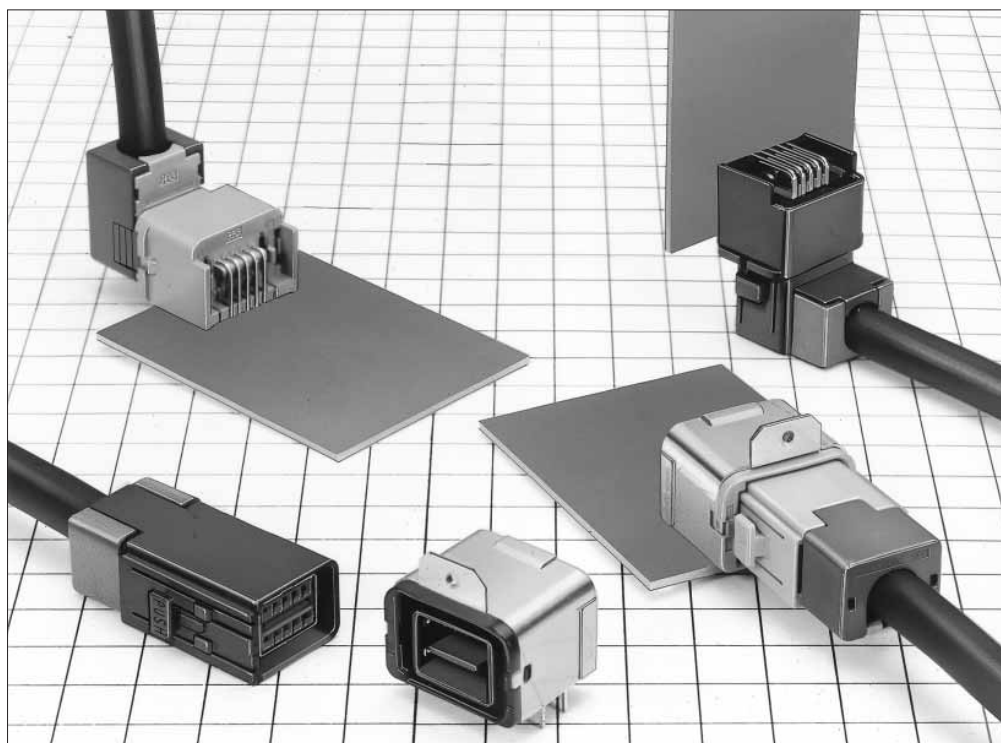


Antenna, Sensor, and Communications Trunk Line Connections

GT17 Series

— Ideal for high frequency Application —
(as USB,LVDS,GVIF)



■ Features

- All surface shielded construction.

■ Applications

In-car data communications, etc.

Coaxial cable connection of Antennas, Sensors, and Communication Trunk Lines

GT 5
GT 13
GT 16
PO5G
GT 11
GT 14
GT 17
GT 19
GT 3
GT 6W
GT 7
GT 10
GT 18W
GT 15
GT 8
GT 9
GT 25

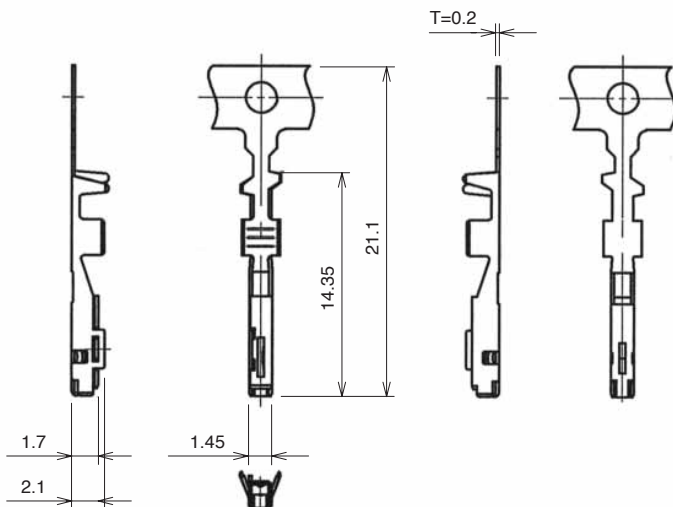
GT17 Series

Coaxial cable connection of Antennas, Sensors, and Communication Trunk Lines

GT 5
GT 13
GT 16
PO5G
GT 11
GT 14
GT 17
GT 19
GT 3
GT 6W
GT 7
GT 10
GT 18W
GT 15
GT 8
GT 9
GT 25

F Connectors

● Center Terminals
 (Used with 6, 8, and 10 conductor cable)

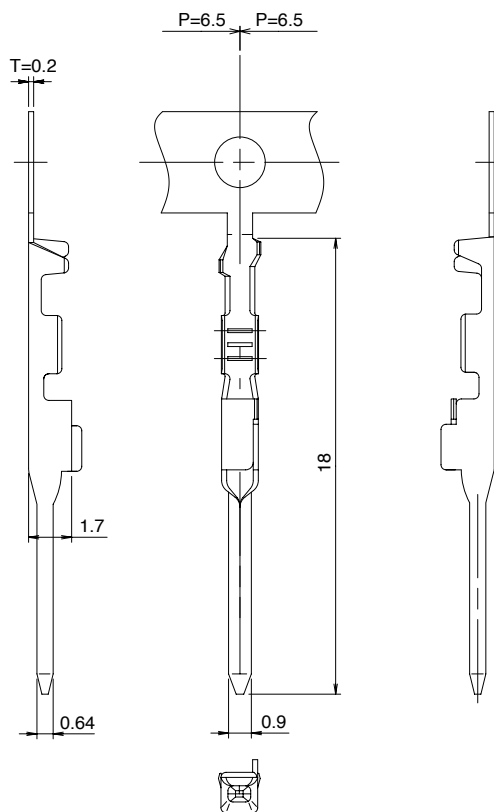
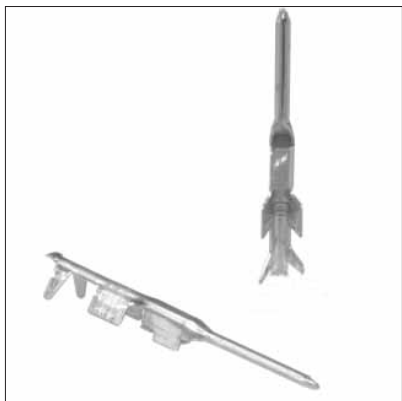


These are lead-free products.

| Part Number | CL No. | Material | Finish | Conductor Size (AWG) | Outer Diameter | Packaging | RoHS |
|---------------|------------|--------------|-------------|----------------------|----------------|----------------------|------|
| GT17-2022SCF | 767-0009-0 | Copper alloy | Tin plating | #20 to 22 | 1.1 to 1.3 mm | 10,000 pcs. per reel | YES |
| GT17-2428SCF | 767-0010-0 | Copper alloy | Tin plating | #24 to 28 | 0.7 to 1.0 mm | 10,000 pcs. per reel | |
| GT17-30SCF | 767-0064-9 | Copper alloy | Tin plating | #30 | 1.1 to 1.3 mm | 10,000 pcs. per reel | |
| GT17B-2428SCF | 767-0122-3 | Copper alloy | Tin plating | #24 to 28 | 0.5 to 0.7 mm | 10,000 pcs. per reel | |

M Connectors

● Center Terminals
 (Used with 6, 8, and 10 conductor cable)

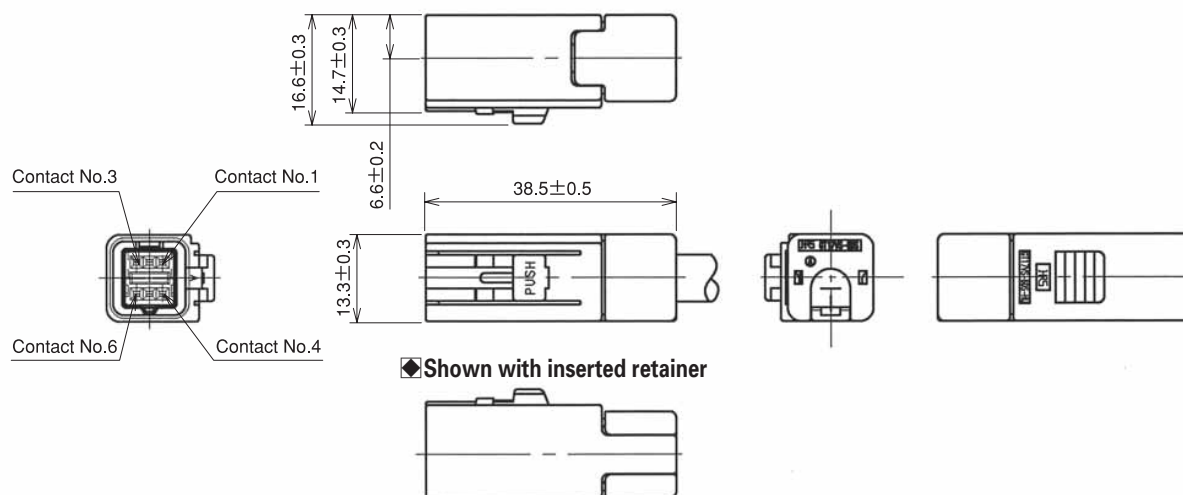


These are lead-free products.

| Part Number | CL No. | Material | Finish | Conductor Size (AWG) | Outer Diameter | Packaging | RoHS |
|---------------|------------|--------------|-------------|----------------------|----------------|----------------------|------|
| GT17-2022PCF | 767-0082-0 | Copper alloy | Tin plating | AWG#20~22 | 1.1 to 1.3 mm | 10,000 pcs. per reel | YES |
| GT17-2428PCF | 767-0076-8 | Copper alloy | Tin plating | AWG#24~28 | 0.7 to 1.0 mm | 10,000 pcs. per reel | |
| GT17A-2428PCF | 767-0121-0 | Copper alloy | Tin plating | AWG#24~28 | 1.1 to 1.3 mm | 10,000 pcs. per reel | |

6-Conductor Straight Connectors

◆By using each of the two differently keyed types of housing for different purposes, incorrect insertion can be prevented.



◆The product comprises 6 parts.

(Housing, insulator, outer terminal, shield plate, retainer, and center terminal)

●Housing

| Part Number | CL No. | Material / Finish or Color | Packaging | RoHS |
|----------------|------------|----------------------------|-----------|------|
| GT17VS-6DS-HU | 767-0051-7 | PBT/Light Gray | 1 | YES |
| GT17VSA-6DS-HU | 767-0052-0 | PBT/Black | 1 | |

●Insulator

| Part Number | CL No. | Material / Finish or Color | Packaging | RoHS |
|--------------|------------|----------------------------|-----------|------|
| GT17V-6DS-2C | 767-0026-0 | PBT/Dark Gray | 1 | YES |

●Outer terminal

| Part Number | CL No. | Material / Finish or Color | Packaging | Remarks | RoHS |
|----------------|------------|----------------------------|-----------|-----------------------------|------|
| GT17VS-6DS-5CF | 767-0050-4 | Copper alloy / Tin plating | 1 | Conductor Size 4.8 to 5.2mm | YES |

●Shield plate

| Part Number | CL No. | Material / Finish or Color | Packaging | RoHS |
|---------------|------------|----------------------------|-----------|------|
| GT17VS-6DS-SC | 767-0049-5 | Copper alloy / Tin plating | 1 | YES |

●Retainer

| Part Number | CL No. | Material / Finish or Color | Packaging | RoHS |
|--------------|------------|----------------------------|-----------|------|
| GT17VS-6DS-R | 767-0053-2 | PBT/Dark Gray | 1 | YES |

●Center terminal

Used with 6, 8, and 10 conductor cable

◆ Mating Table

| Color | Cable side connector | Board connector |
|-------|----------------------|-------------------|
| Gray | GT17VS-6DS-HU | GT17V-6DP-DS(70) |
| | | GT17VB-6DP-DS(70) |
| Black | GT17VSA-6DS-HU | GT17VA-6DP-DS(70) |
| | | GT17VC-6DP-DS(70) |

Coaxial cable connection of Antennas, Sensors, and Communication Trunk Lines
 GT 5
 GT 13
 GT 16
 PO5G
 GT 11
 GT 14
GT 17
 GT 19
 GT 3
 GT 6W
 GT 7
 GT 10
 GT 18W
 GT 15
 GT 8
 GT 9
 GT 25

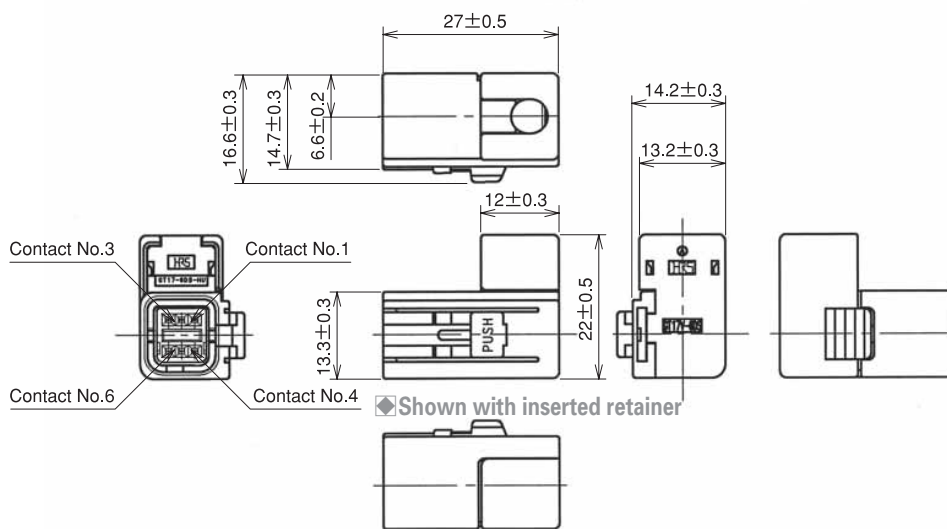
GT17 Series

Coaxial cable connection of Antennas, Sensors, and Communication Trunk Lines

GT 5
GT 13
GT 16
PO5G
GT 11
GT 14
GT 17
GT 19
GT 3
GT 6W
GT 7
GT 10
GT 18W
GT 15
GT 8
GT 9
GT 25

6-Conductor Right-angle Connectors

By using each of the two differently keyed types of housing for different purposes, incorrect insertion can be prevented.



The product comprises 6 parts.

(Housing, insulator, outer terminal, shield plate, retainer, and center terminal)

● Housing

| Part Number | CL No. | Material / Finish or Color | Packaging | RoHS |
|---------------|------------|----------------------------|-----------|------|
| GT17V-6DS-HU | 767-0029-8 | PBT / Light Gray | 1 | YES |
| GT17VA-6DS-HU | 767-0030-7 | PBT / Black | 1 | |

● Insulator

| Part Number | CL No. | Material / Finish or Color | Packaging | RoHS |
|--------------|------------|----------------------------|-----------|------|
| GT17V-6DS-2C | 767-0026-0 | PBT / Dark Gray | 1 | YES |

● Outer terminal

| Part Number | CL No. | Material / Finish or Color | Packaging | Remarks | RoHS |
|-----------------|------------|----------------------------|-----------|-----------------------------|------|
| GT17V-6DS-5CF | 767-0027-2 | Copper alloy / Tin plating | 1 | Conductor Size 4.8 to 5.2mm | YES |
| GT17V-6DS-3.8CF | 767-0075-5 | Copper alloy / Tin plating | 1 | Conductor Size 3.8 to 4.2mm | |

● Shield plate

| Part Number | CL No. | Material / Finish or Color | Packaging | RoHS |
|--------------|------------|----------------------------|-----------|------|
| GT17V-6DS-SC | 767-0028-5 | Copper alloy / Tin plating | 1 | YES |

● Retainer

| Part Number | CL No. | Material / Finish or Color | Packaging | RoHS |
|-------------|------------|----------------------------|-----------|------|
| GT17V-6DS-R | 767-0031-0 | PBT / Dark Gray | 1 | YES |

● Center terminal

Used with 6,8, and 10 conductor cable

◆ Mating Table

| Color | Cable side connector | Board connector |
|-------|----------------------|---|
| Gray | GT17V-6DS-HU | GT17V-6DP-DS(70)(Cable exit direction, up side from mounting side) |
| | | GT17VB-6DP-DS(70)(Cable exit direction, down side from mounting side) |
| Black | GT17VA-6DS-HU | GT17VA-6DP-DS(70)(Cable exit direction, up side from mounting side) |
| | | GT17VC-6DP-DS(70)(Cable exit direction, down side from mounting side) |

6-Conductor Printed Circuit Board Connectors

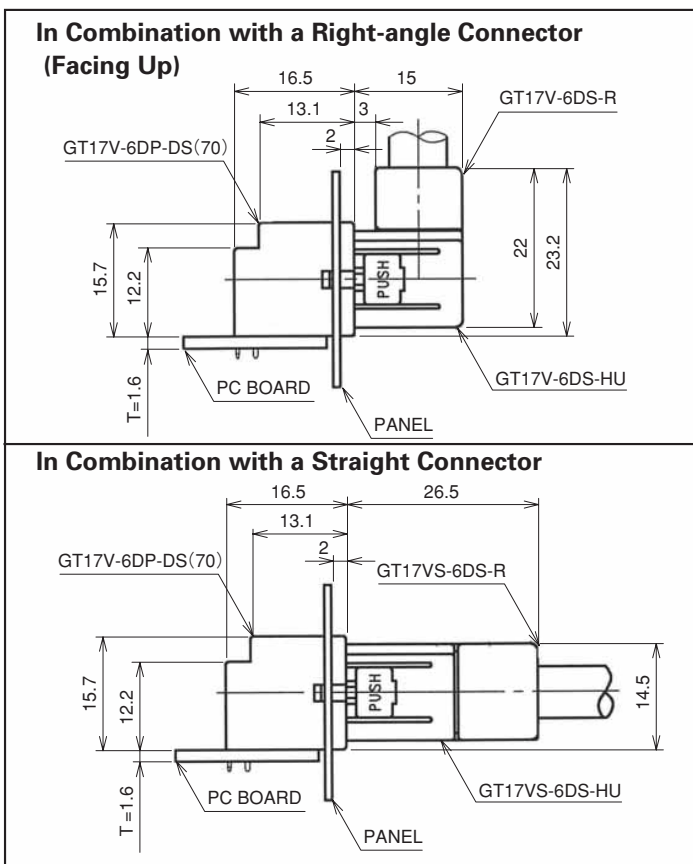
By using each of the two differently keyed types of housing for different purposes, incorrect insertion can be prevented.

● Cable extraction facing up

| Part Number | CL No. | Material / Finish or Color | Packaging | RoHS |
|------------------|---------------|---|-----------|------|
| GT17V-6DP-DS(70) | 767-0024-4-70 | Housing: PBT/Light gray Center terminal: Brass /Tin plating Outer terminal: Copper alloy /Tin plating | 1 | YES |

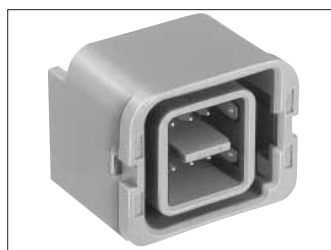


GT17V-6DP-DS(70)

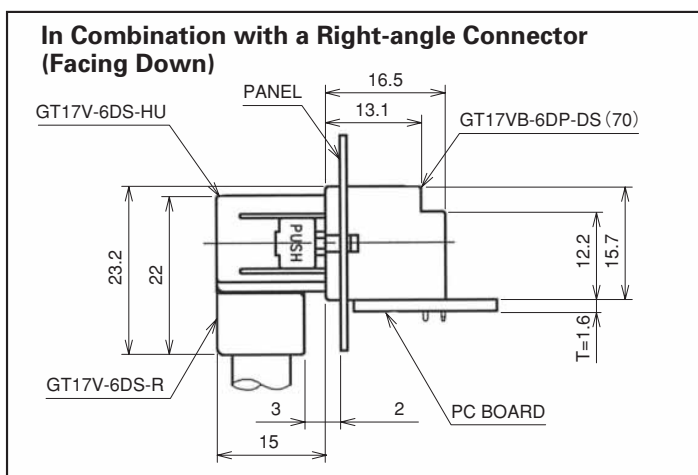


● Cable extraction facing down

| Part Number | CL No. | Material / Finish or Color | Packaging | RoHS |
|-------------------|---------------|---|-----------|------|
| GT17VB-6DP-DS(70) | 767-0032-2-70 | Housing: PBT/Light gray Center terminal: Brass /Tin plating Outer terminal: Copper alloy /Tin plating | 1 | YES |



GT17VB-6DP-DS(70)



Coaxial cable connection of Antennas, Sensors, and Communication Trunk Lines

- GT 5
- GT 13
- GT 16
- PO5G
- GT 11
- GT 14
- GT 17**
- GT 19
- GT 3
- GT 6W
- GT 7
- GT 10
- GT 18W
- GT 15
- GT 8
- GT 9
- GT 25

GT17 Series

Coaxial cable connection of Antennas, Sensors, and Communication Trunk Lines

GT 3

GT 6W

GT 7

GT 10

GT 18W

GT 15

GT 8

GT 9

GT 25

GT 5

GT 13

GT 16

PO5G

GT 11

GT 14

GT 17

GT 19

6-Conductor Printed Circuit Board Connectors

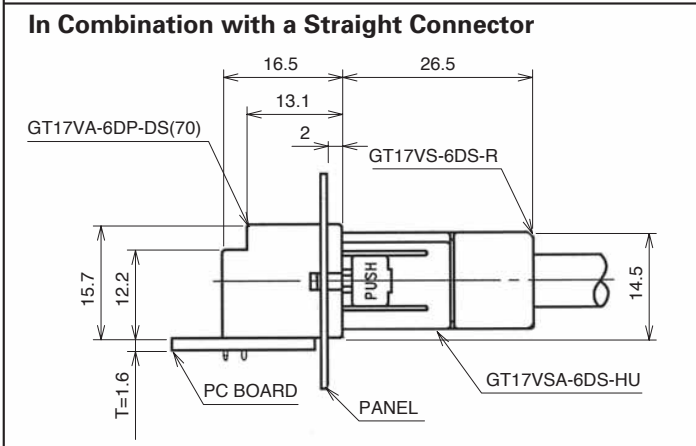
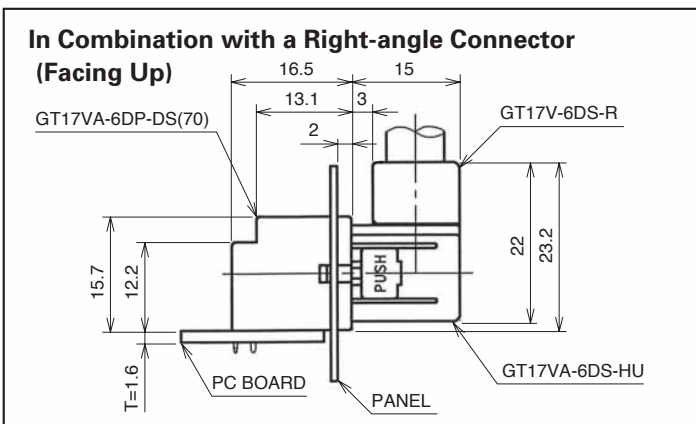
By using each of the two differently keyed types of housing for different purposes, incorrect insertion can be prevented.

● Cable extraction facing up

| Part Number | CL No. | Material / Finish or Color | Packaging | RoHS |
|-------------------|---------------|--|-----------|------|
| GT17VA-6DP-DS(70) | 767-0025-7-70 | Housing: PBT/Black Center terminal: Brass /Tin plating Outer terminal: Copper alloy /Tin plating | 1 | YES |



GT17VA-6DP-DS(70)

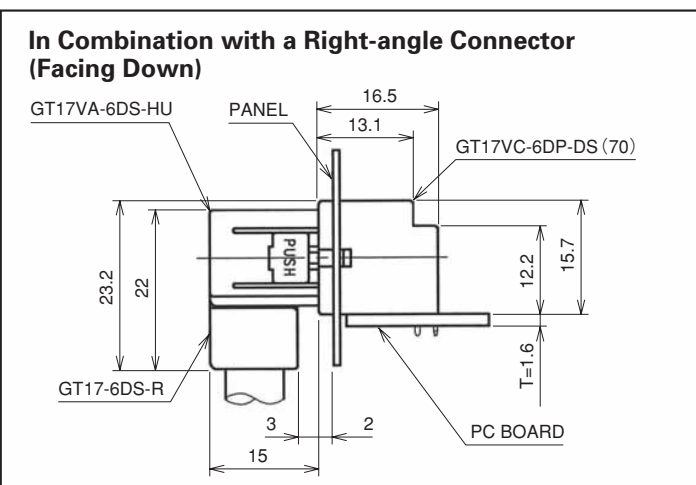


● Cable extraction facing down

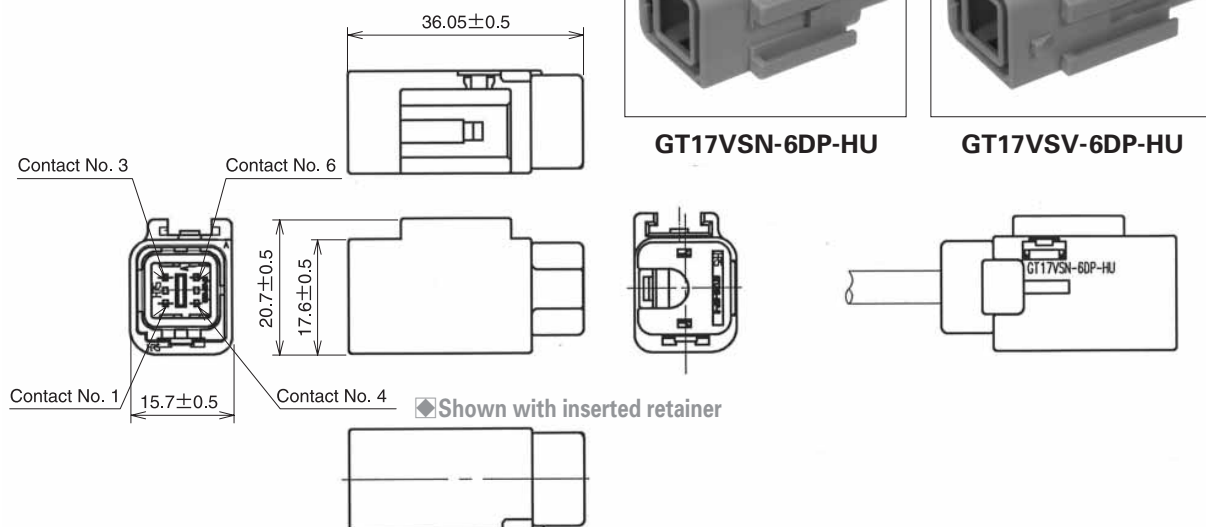
| Part Number | CL No. | Material / Finish or Color | Packaging | RoHS |
|-------------------|---------------|--|-----------|------|
| GT17VC-6DP-DS(70) | 767-0033-5-70 | Housing: PBT/Black Center terminal: Brass /Tin plating Outer terminal: Copper alloy /Tin plating | 1 | YES |



GT17VC-6DP-DS(70)



6-Conductor Inline Connectors



◆The product comprises 6 parts.
 (Housing, insulator, outer terminal, shield plate, retainer, and center terminal)

●Housing

| Part Number | CL No. | Material / Finish or Color | Packaging | RoHS |
|----------------|------------|----------------------------|-----------|------|
| GT17VSN-6DP-HU | 767-0077-0 | PBT / Light Gray | 1 | YES |
| GT17VSV-6DP-HU | 767-0128-0 | PBT / Light Gray | 1 | |

●Insulator

| Part Number | CL No. | Material / Finish or Color | Packaging | RoHS |
|--------------|------------|----------------------------|-----------|------|
| GT17V-6DP-2C | 767-0078-3 | PBT / Dark Gray | 1 | YES |

●Outer terminal

| Part Number | CL No. | Material / Finish or Color | Packaging | Remarks | RoHS |
|----------------|------------|----------------------------|-----------|-----------------------------|------|
| GT17VS-6DP-5CF | 767-0080-5 | Copper alloy / Tin plating | 1 | Conductor Size 4.8 to 5.2mm | YES |

●Shield plate

| Part Number | CL No. | Material / Finish or Color | Packaging | RoHS |
|---------------|------------|----------------------------|-----------|------|
| GT17VS-6DP-SC | 767-0079-6 | Copper alloy / Tin plating | 1 | YES |

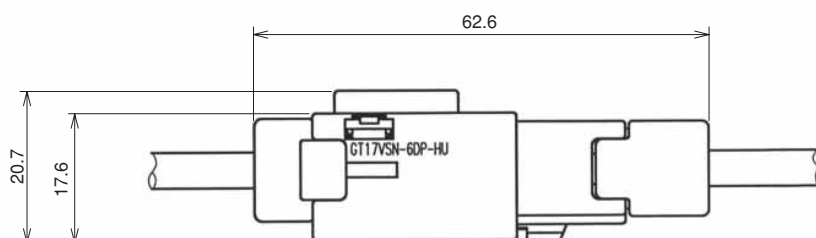
●Retainer

| Part Number | CL No. | Material / Finish or Color | Packaging | RoHS |
|--------------|------------|----------------------------|-----------|------|
| GT17VS-6DP-R | 767-0081-8 | PBT / Dark Gray | 1 | YES |

●Center terminal

Used with 6, 8, and 10 conductor cable

GT17 6-Conductor Inline Connector Mounting Condition



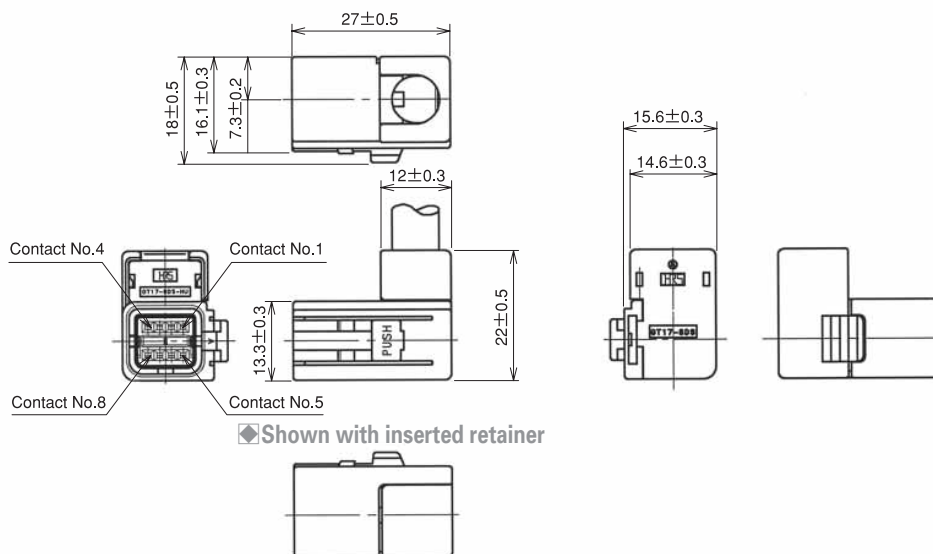
Coaxial cable connection of Antennas, Sensors, and Communication Trunk Lines

GT 5
GT 13
GT 16
PO5G
GT 11
GT 14
GT 17
GT 19
GT 3
GT 6W
GT 7
GT 10
GT 18W
GT 15
GT 8
GT 9
GT 25

GT17 Series

8-Conductor Right-angle Connectors

By using each of the two differently keyed types of housing for different purposes, incorrect insertion can be prevented.



The product comprises 6 parts.
 (Housing, insulator, outer terminal, shield plate, retainer, and center terminal)

● Housing

| Part Number | CL No. | Material / Finish or Color | Packaging | RoHS |
|--------------|------------|----------------------------|-----------|------|
| GT17-8DS-HU | 767-0003-4 | PBT / Light Gray | 1 | YES |
| GT17A-8DS-HU | 767-0004-7 | PBT / Black | 1 | |

● Insulator

| Part Number | CL No. | Material / Finish or Color | Packaging | RoHS |
|-------------|------------|----------------------------|-----------|------|
| GT17-8DS-2C | 767-0005-0 | PBT / Dark Gray | 1 | YES |

● Outer terminal

| Part Number | CL No. | Material / Finish or Color | Packaging | Remarks | RoHS |
|------------------|---------------|-------------------------------|-----------|-----------------------------|------|
| GT17-8DS-7CF(70) | 767-0007-5-70 | Phosphor bronze / Tin plating | 1 | Conductor Size 6.8 to 7.2mm | YES |

● Shield plate

| Part Number | CL No. | Material / Finish or Color | Packaging | RoHS |
|-----------------|---------------|----------------------------|-----------|------|
| GT17-8DS-SC(70) | 767-0006-2-70 | Copper alloy / Tin plating | 1 | YES |

● Retainer

| Part Number | CL No. | Material / Finish or Color | Packaging | RoHS |
|-------------|------------|----------------------------|-----------|------|
| GT17-8DS-R | 767-0008-8 | PBT / Dark Gray | 1 | YES |

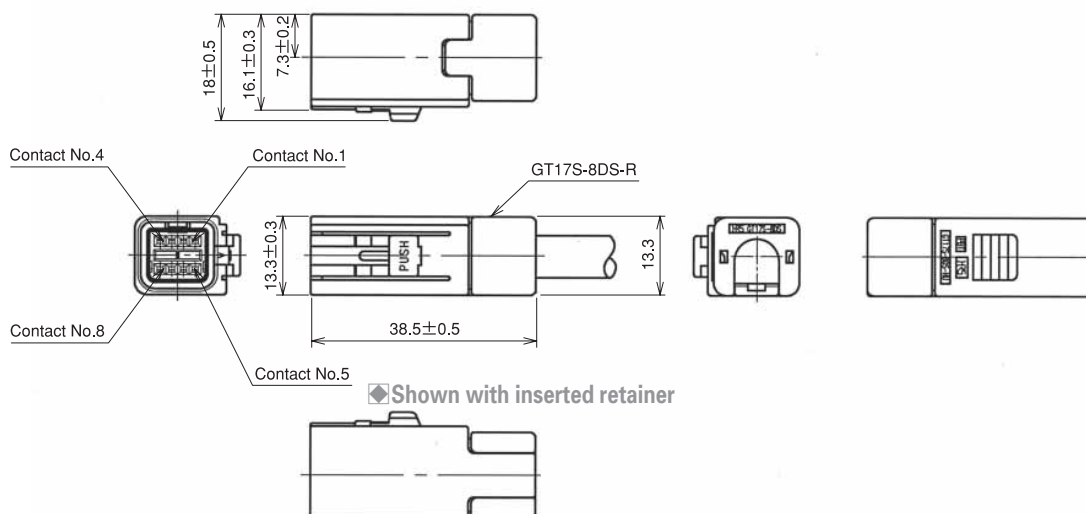
● Center terminal
 Used with 6, 8, and 10 conductor cable

◆ Mating Table

| Color | Cable side connector | Board connector |
|-------|----------------------|---|
| Gray | GT17-8DS-HU | GT17V-8DP-DS(Cable exit direction, up side from mounting side) |
| | | GT17VB-8DP-DS(Cable exit direction, down side from mounting side) |
| Black | GT17A-8DS-HU | GT17VA-8DP-DS(Cable exit direction, up side from mounting side) |
| | | GT17VC-8DP-DS(Cable exit direction, down side from mounting side) |

8-Conductor Straight Connectors

By using each of the two differently keyed types of housing for different purposes, incorrect insertion can be prevented.



The product comprises 6 parts.

(Housing, insulator, outer terminal, shield plate, retainer, and center terminal)

● Housing

| Part Number | CL No. | Material / Finish or Color | Packaging | RoHS |
|---------------|------------|----------------------------|-----------|------|
| GT17S-8DS-HU | 767-0108-2 | PBT / Light Gray | 1 | YES |
| GT17SA-8DS-HU | 767-0109-5 | PBT / Black | 1 | |

● Insulator

| Part Number | CL No. | Material / Finish or Color | Packaging | RoHS |
|-------------|------------|----------------------------|-----------|------|
| GT17-8DS-2C | 767-0005-0 | PBT / Dark Gray | 1 | YES |

● Outer terminal

| Part Number | CL No. | Material / Finish or Color | Packaging | Remarks | RoHS |
|---------------|------------|----------------------------|-----------|-----------------------------|------|
| GT17S-8DS-7CF | 767-0106-7 | Copper alloy / Tin plating | 1 | Conductor Size 6.8 to 7.2mm | YES |

● Shield plate

| Part Number | CL No. | Material / Finish or Color | Packaging | RoHS |
|--------------|------------|----------------------------|-----------|------|
| GT17S-8DS-SC | 767-0107-0 | Copper alloy / Tin plating | 1 | YES |

● Retainer

| Part Number | CL No. | Material / Finish or Color | Packaging | RoHS |
|-------------|------------|----------------------------|-----------|------|
| GT17S-8DS-R | 767-0110-4 | PBT / Dark Gray | 1 | YES |

● Center terminal

Used with 6, 8, and 10 conductor cable

◆ Mating Table

| Color | Cable side connector | Board connector |
|-------|----------------------|---|
| Gray | GT17S-8DS-HU | GT17V-8DP-DS(Cable exit direction, up side from mounting side) |
| | | GT17VB-8DP-DS(Cable exit direction, down side from mounting side) |
| Black | GT17SA-8DS-HU | GT17VA-8DP-DS(Cable exit direction, up side from mounting side) |
| | | GT17VC-8DP-DS(Cable exit direction, down side from mounting side) |

Coaxial cable connection of Antennas, Sensors, and Communication Trunk Lines
 GT 5
 GT 13
 GT 16
 PO5G
 GT 11
 GT 14
GT 17
 GT 19
 GT 3
 GT 6W
 GT 7
 GT 10
 GT 18W
 GT 15
 GT 8
 GT 9
 GT 25

GT17 Series

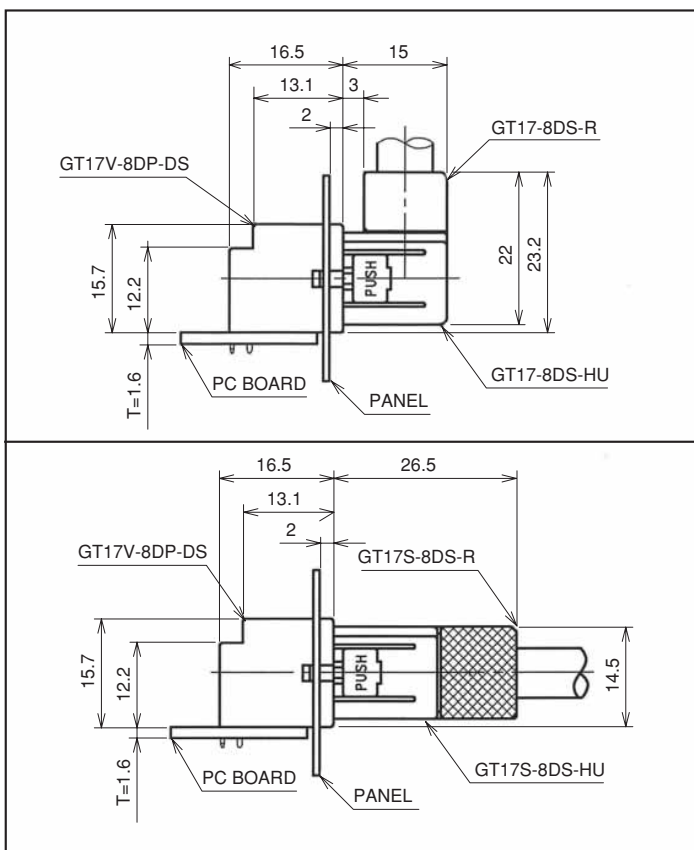
8-Conductor Printed Circuit Board Connectors

● Cable extraction facing up

| Part Number | CL No. | Material / Finish or Color | Packaging | RoHS |
|--------------|------------|---|-----------|------|
| GT17V-8DP-DS | 767-0139-6 | Housing: PBT/Light gray Center terminal: Brass /Tin plating Outer terminal: Copper alloy /Tin plating | 1 | YES |

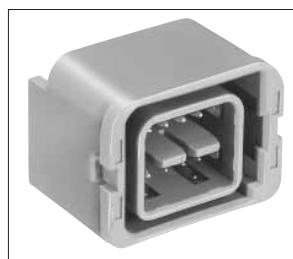


GT17V-8DP-DS



● Cable extraction facing down

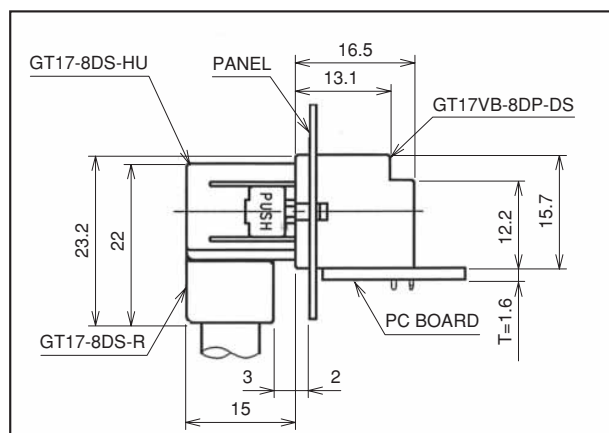
| Part Number | CL No. | Material / Finish or Color | Packaging | RoHS |
|------------------|------------|---|-----------|------|
| GT17VB-8DP-DS | 767-0185-3 | Housing: PBT/Light gray Center terminal: Brass /Tin plating Outer terminal: Copper alloy /Tin plating | 1 | YES |
| GT17VB-8DP-DS-SB | 767-0123-6 | Housing: PBT/Light gray Center terminal/Shield case: Brass /Tin plating Outer terminal: Copper alloy /Tin plating | 1 | |



GT17VB-8DP-DS



GT17VB-8DP-DS-SB



Coaxial cable connection of Antennas, Sensors, and Communication Trunk Lines
 GT 5
 GT 13
 GT 16
 PO5G
 GT 11
 GT 14
GT 17
 GT 19
 GT 3
 GT 6W
 GT 7
 GT 10
 GT 18W
 GT 15
 GT 8
 GT 9
 GT 25

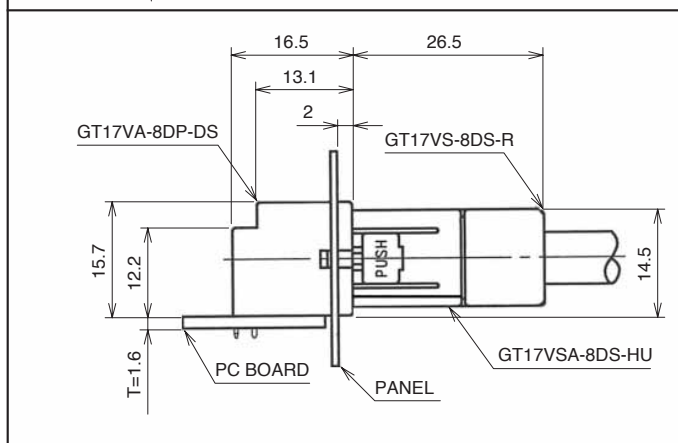
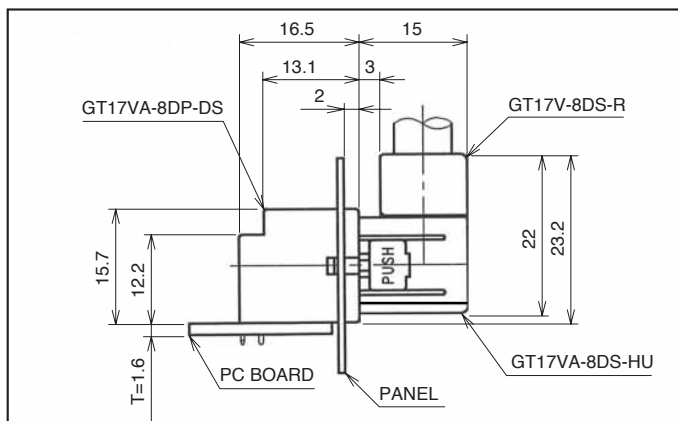
8-Conductor Printed Circuit Board Connectors

● Cable extraction facing up

| Part Number | CL No. | Material / Finish or Color | Packaging | RoHS |
|---------------|------------|--|-----------|------|
| GT17VA-8DP-DS | 767-0200-5 | Housing: PBT/Black Center terminal: Brass /Tin plating Outer terminal: Copper alloy /Tin plating | 1 | YES |



GT17VA-8DP-DS

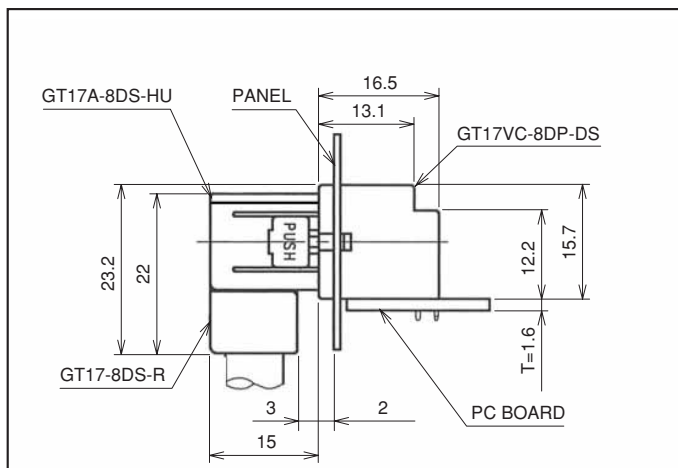


● Cable extraction facing down

| Part Number | CL No. | Material / Finish or Color | Packaging | RoHS |
|------------------|------------|--|-----------|------|
| GT17VC-8DP-DS | 767-0199-8 | Housing: PBT/Black Center terminal: Brass /Tin plating Outer terminal: Copper alloy /Tin plating | 1 | YES |
| GT17VC-8DP-DS-SB | 767-0124-9 | Housing: PBT/Black Center terminal/Shield case: Brass /Tin plating Outer terminal: Copper alloy /Tin plating | 1 | |



GT17VC-8DP-DS



Coaxial cable connection of Antennas, Sensors, and Communication Trunk Lines

- GT 5
- GT 13
- GT 16
- PO5G
- GT 11
- GT 14
- GT 17**
- GT 19
- GT 3
- GT 6W
- GT 7
- GT 10
- GT 18W
- GT 15
- GT 8
- GT 9
- GT 25

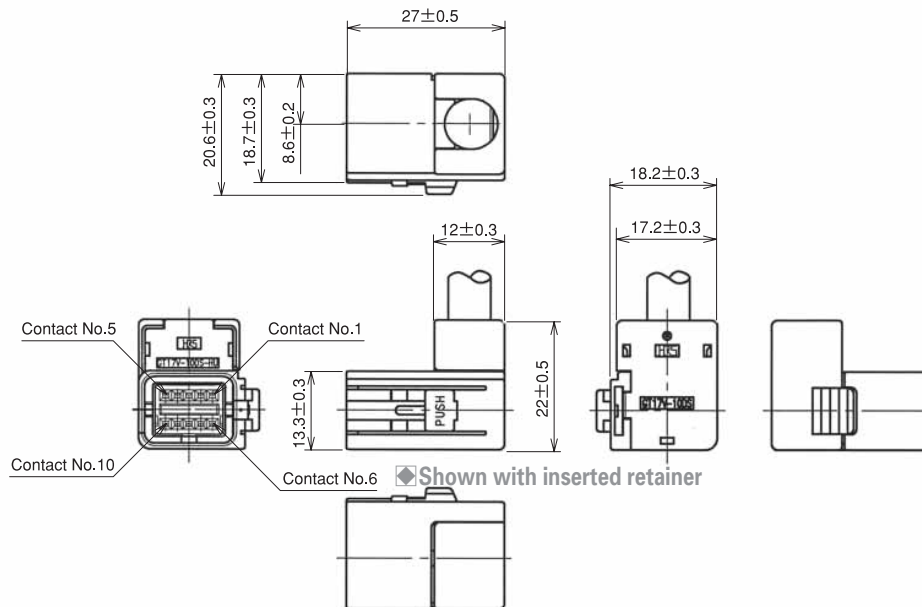
GT17 Series

Coaxial cable connection of Antennas, Sensors, and Communication Trunk Lines

- GT 5
- GT 13
- GT 16
- PO5G
- GT 11
- GT 14
- GT 17**
- GT 19
- GT 3
- GT 6W
- GT 7
- GT 10
- GT 18W
- GT 15
- GT 8
- GT 9
- GT 25

10-Conductor Right-angle Connectors

By using each of the two differently keyed types of housing for different purposes, incorrect insertion can be prevented.



The product comprises 6 parts.
 (Housing, insulator, outer terminal, shield plate, retainer, and center terminal)

● Housing

| Part Number | CL No. | Material / Finish or Color | Packaging | RoHS |
|----------------|------------|----------------------------|-----------|------|
| GT17V-10DS-HU | 767-0039-1 | PBT / Light Gray | 1 | YES |
| GT17VA-10DS-HU | 767-0040-0 | PBT / Black | 1 | |

● Insulator

| Part Number | CL No. | Material / Finish or Color | Packaging | RoHS |
|---------------|------------|----------------------------|-----------|------|
| GT17V-10DS-2C | 767-0036-3 | PBT / Dark Gray | 1 | YES |

● Outer terminal

| Part Number | CL No. | Material / Finish or Color | Packaging | Remarks | RoHS |
|----------------|------------|----------------------------|-----------|-----------------------------|------|
| GT17V-10DS-8CF | 767-0037-6 | Copper alloy / Tin plating | 1 | Conductor Size 7.5 to 8.0mm | YES |

● Shield plate

| Part Number | CL No. | Material / Finish or Color | Packaging | RoHS |
|---------------|------------|----------------------------|-----------|------|
| GT17V-10DS-SC | 767-0038-9 | Copper alloy / Tin plating | 1 | YES |

● Retainer

| Part Number | CL No. | Material / Finish or Color | Packaging | RoHS |
|--------------|------------|----------------------------|-----------|------|
| GT17V-10DS-R | 767-0041-3 | PBT / Dark Gray | 1 | YES |

● Center terminal

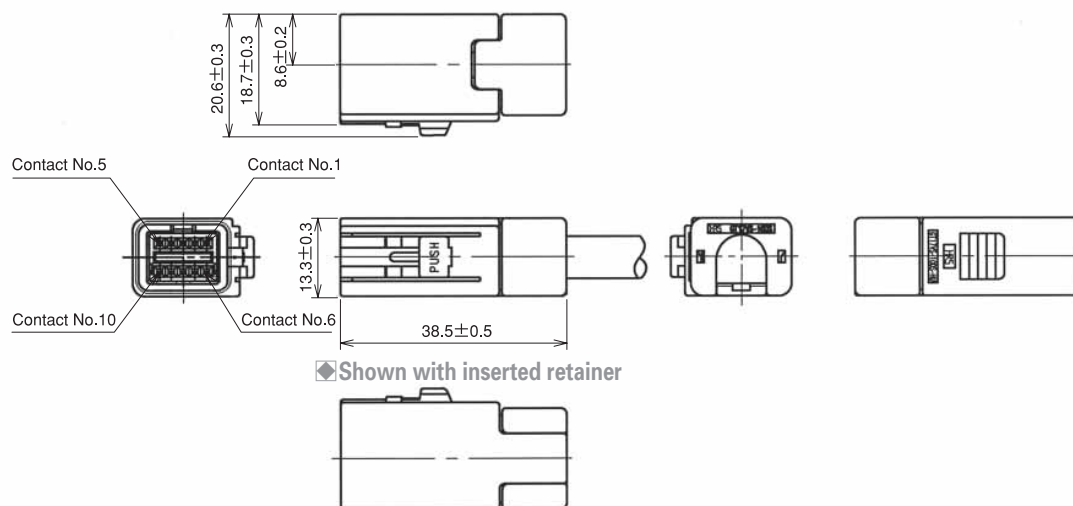
Used with 6, 8, and 10 conductor cable

Mating Table

| Color | Cable side connector | Board connector |
|-------|----------------------|---|
| Gray | GT17V-10DS-HU | GT17V-10DP-DS(70)(Cable exit direction, up side from mounting side) |
| | | GT17V-10DP-DSA(70)(straight DIP type) |
| | | GT17V-10DP-DS-SB(70)(Cable exit direction, up side from mounting side) |
| Black | GT17VA-10DS-HU | GT17VA-10DP-DS(70)(Cable exit direction, up side from mounting side) |
| | | GT17VA-10DP-DSA(70)(straight DIP type) |
| | | GT17VA-10DP-DS-SB(70)(Cable exit direction, up side from mounting side) |

10-Conductor Straight Connectors

By using each of the two differently keyed types of housing for different purposes, incorrect insertion can be prevented.



The product comprises 6 parts.

(Housing, insulator, outer terminal, shield plate, retainer, and center terminal)

● Housing

| Part Number | CL No. | Material / Finish or Color | Packaging | RoHS |
|-----------------|------------|----------------------------|-----------|------|
| GT17VS-10DS-HU | 767-0061-0 | PBT / Light Gray | 1 | YES |
| GT17VSA-10DS-HU | 767-0062-3 | PBT / Black | 1 | YES |

● Insulator

| Part Number | CL No. | Material / Finish or Color | Packaging | RoHS |
|---------------|------------|----------------------------|-----------|------|
| GT17V-10DS-2C | 767-0036-3 | PBT / Dark Gray | 1 | YES |

● Outer terminal

| Part Number | CL No. | Material / Finish or Color | Packaging | Remarks | RoHS |
|-----------------|------------|----------------------------|-----------|-----------------------------|------|
| GT17VS-10DS-8CF | 767-0059-9 | Copper alloy / Tin plating | 1 | Conductor Size 7.5 to 8.0mm | YES |

● Shield plate

| Part Number | CL No. | Material / Finish or Color | Packaging | RoHS |
|----------------|------------|----------------------------|-----------|------|
| GT17VS-10DS-SC | 767-0060-8 | Copper alloy / Tin plating | 1 | YES |

● Retainer

| Part Number | CL No. | Material / Finish or Color | Packaging | RoHS |
|---------------|------------|----------------------------|-----------|------|
| GT17VS-10DS-R | 767-0063-6 | PBT / Dark Gray | 1 | YES |

● Center terminal

Used with 6,8, and 10 conductor cable

◆ Mating Table

| Color | Cable side connector | Board connector |
|-------|----------------------|-----------------------|
| Gray | GT17VS-10DS-HU | GT17V-10DP-DS(70) |
| | | GT17V-10DP-DSA(70) |
| | | GT17V-10DP-DS-SB(70) |
| Black | GT17VSA-10DS-HU | GT17VA-10DP-DS(70) |
| | | GT17VA-10DP-DSA(70) |
| | | GT17VA-10DP-DS-SB(70) |

Coaxial cable connection of Antennas, Sensors, and Communication Trunk Lines
 GT 5
 GT 13
 GT 16
 PO5G
 GT 11
 GT 14
GT 17
 GT 19
 GT 3
 GT 6W
 GT 7
 GT 10
 GT 18W
 GT 15
 GT 8
 GT 9
 GT 25

GT17 Series

10-Conductor Printed Circuit Board Connectors

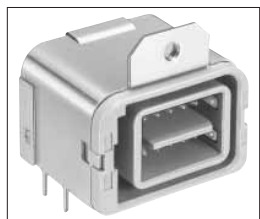
By using each of the two differently keyed types of housing for different purposes, incorrect insertion can be prevented.

● Right-angle type

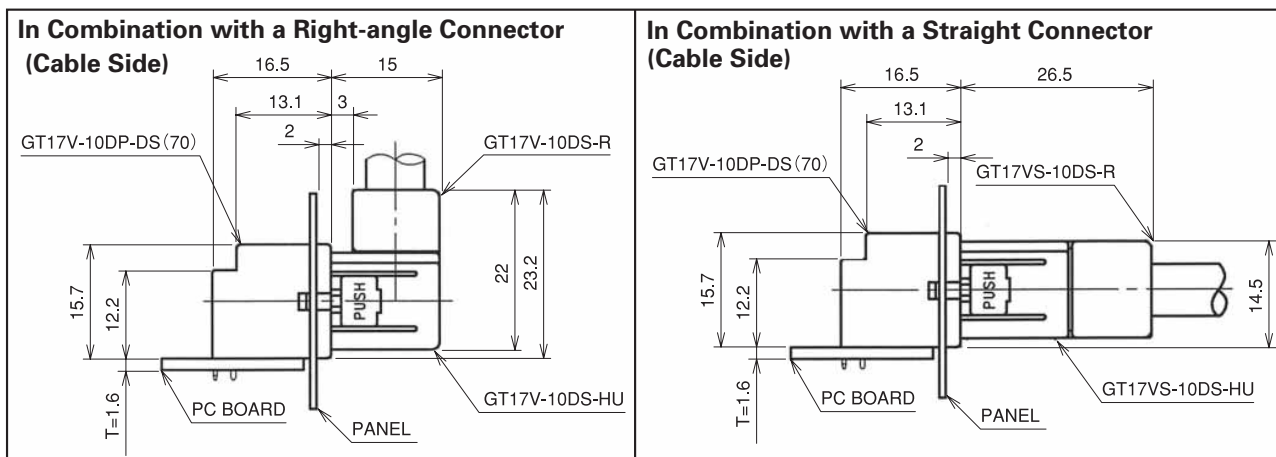
| Part Number | CL No. | Material / Finish or Color | Packaging | Note | RoHS |
|----------------------|---------------|--|-----------|----------------------------------|------|
| GT17V-10DP-DS(70) | 767-0034-8-70 | Housing: PBT/Light gray Center terminal: Brass /Tin plating Outer tube terminal: Copper alloy /Tin plating | 1 | Products with enhanced shielding | YES |
| GT17V-10DP-DS-SB(70) | 767-0069-2-70 | Housing: PBT/Light gray Center terminal/Shield case: Brass /Tin plating Outer tube terminal: Copper alloy /Tin plating | 1 | | |



GT17V-10DP-DS(70)

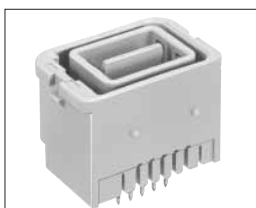


GT17V-10DP-DS-SB(70)



● Straight-type

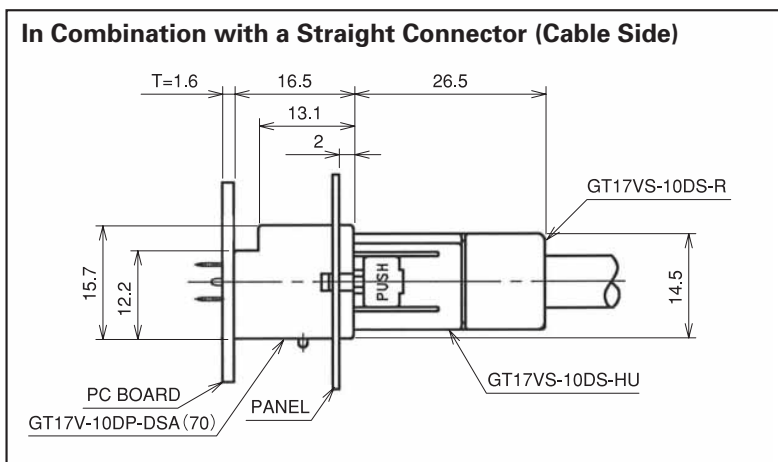
| Part Number | CL No. | Material / Finish or Color | Packaging | RoHS |
|--------------------|---------------|--|-----------|------|
| GT17V-10DP-DSA(70) | 767-0067-7-70 | Housing: PBT/Black Center terminal: Brass /Tin plating Outer terminal: Copper alloy /Tin plating | 1 | YES |
| GT17V-10DP-DSA-SB | 767-0154-0 | Housing: PBT/Black Center terminal: Brass /Tin plating Outer terminal: Copper alloy /Tin plating | 1 | |



GT17V-10DP-DSA(70)



GT17V-10DP-DSA-SB



10-Conductor Printed Circuit Board Connectors

By using each of the two differently keyed types of housing for different purposes, incorrect insertion can be prevented.

● Right-angle type

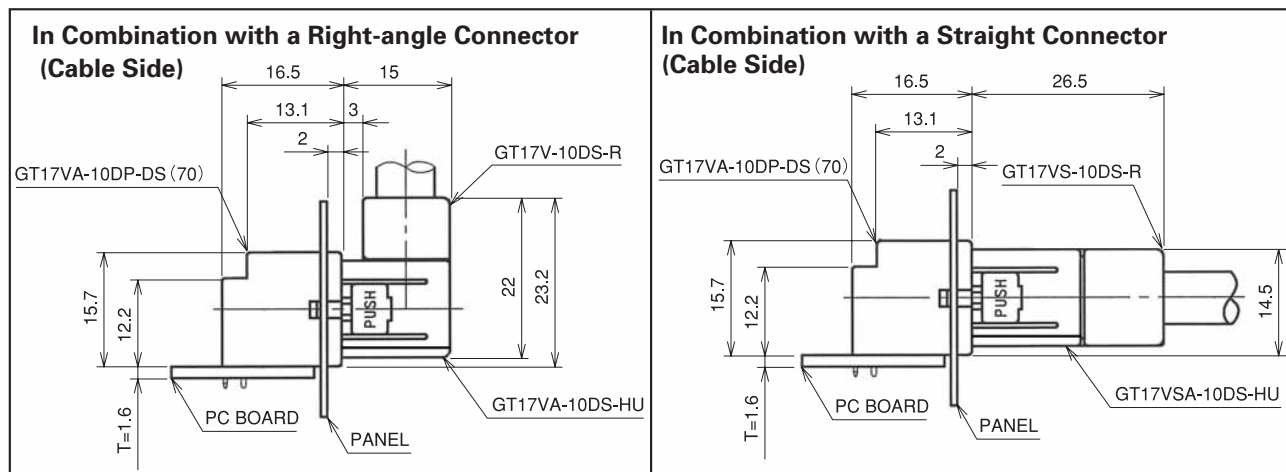
| Part Number | CL No. | Material / Finish or Color | Packaging | Note | RoHS |
|-----------------------|---------------|--|-----------|----------------------------------|------|
| GT17VA-10DP-DS(70) | 767-0035-0-70 | Housing: PBT/Black Center terminal: Brass /Tin plating Outer terminal: Copper alloy /Tin plating | 1 | Products with enhanced shielding | YES |
| GT17VA-10DP-DS-SB(70) | 767-0070-1-70 | Housing: PBT/Black Center terminal/Shield case: Brass /Tin plating Outer terminal: Copper alloy /Tin plating | 1 | | |



GT17VA-10DP-DS(70)



GT17VA-10DP-DS-SB(70)



● Straight-type

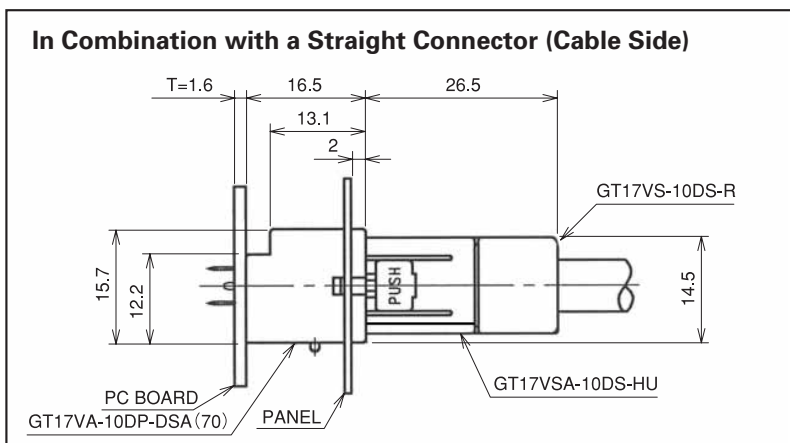
| Part Number | CL No. | Material / Finish or Color | Packaging | RoHS |
|--------------------|---------------|--|-----------|------|
| GT17V-10DP-DSA(70) | 767-0068-0-70 | Housing: PBT/Black Center terminal: Brass /Tin plating Outer terminal: Copper alloy /Tin plating | 1 | YES |
| GT17V-10DP-DSA-SB | 767-0174-7 | Housing: PBT/Black Center terminal/Shield case: Brass /Tin plating Outer terminal: Copper alloy /Tin plating | 1 | |



GT17VA-10DP-DSA(70)



GT17VA-10DP-DSA-SB

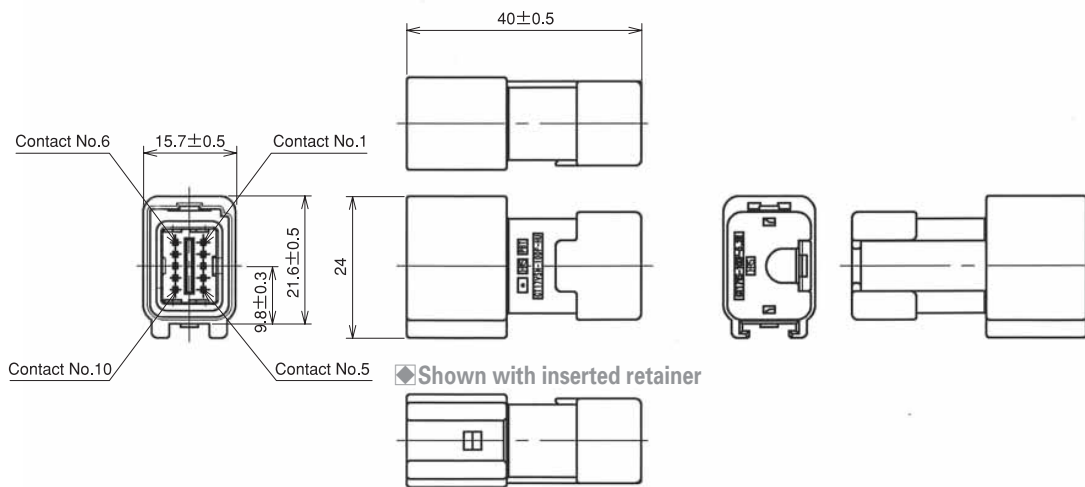


Coaxial cable connection of Antennas, Sensors, and Communication Trunk Lines

- GT 5
- GT 13
- GT 16
- PO5G
- GT 11
- GT 14
- GT 17**
- GT 19
- GT 3
- GT 6W
- GT 7
- GT 10
- GT 18W
- GT 15
- GT 8
- GT 9
- GT 25

GT17 Series

10-Conductor Inline Connectors



The product comprises 6 parts.
 (Housing, insulator case, outer terminal, shield plate, retainer, and center terminal)

Housing

| Part Number | CL No. | Material / Finish or Color | Packaging | RoHS |
|-----------------|------------|----------------------------|-----------|------|
| GT17VSN-10DP-HU | 767-0115-8 | PBT / Light Gray | 1 | YES |

Insulator

| Part Number | CL No. | Material / Finish or Color | Packaging | RoHS |
|---------------|------------|----------------------------|-----------|------|
| GT17V-10DP-2C | 767-0112-0 | PBT / Dark Gray | 1 | YES |

Outer terminal

| Part Number | CL No. | Material / Finish or Color | Packaging | Remarks | RoHS |
|-------------------|------------|----------------------------|-----------|------------------|------|
| GT17VS-10DP-5.2CF | 767-0114-5 | Copper alloy / Tin plating | pack | 1224pcs per pack | YES |
| GT17VS-10DP-8CF | 767-0130-1 | Copper alloy / Tin plating | pack | 1224pcs per pack | |

Shield plate

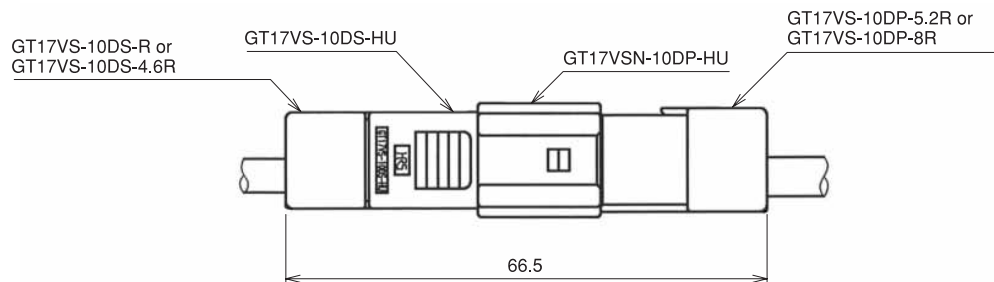
| Part Number | CL No. | Material / Finish or Color | Packaging | RoHS |
|----------------|------------|----------------------------|-----------|------|
| GT17VS-10DP-SC | 767-0113-2 | Copper alloy / Tin plating | 1 | YES |

Retainer

| Part Number | CL No. | Material / Finish or Color | Packaging | RoHS |
|------------------|------------|----------------------------|-----------|------|
| GT17VS-10DP-5.2R | 767-0111-7 | PBT / Light Gray | 1 | YES |
| GT17VS-10DP-8R | 767-0131-4 | PBT / Light Gray | 1 | |

Center terminal

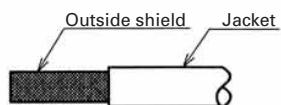
Used with 6, 8, and 10 conductor cable



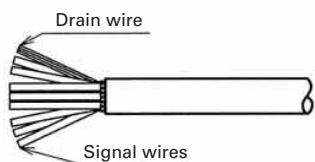
Fully mated connector assemblies

◆ Wiring Method

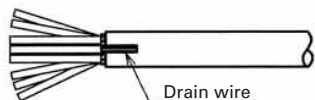
① Strip the Jacket.



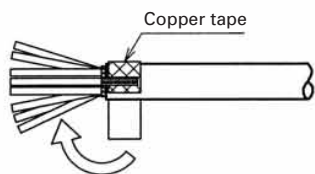
② Cut the shield and intermediate material to expose the wire and braid.



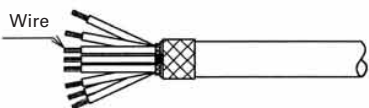
③ Bend back the drain wire over the Jacket.



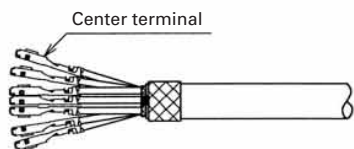
④ Wrap with copper tape.



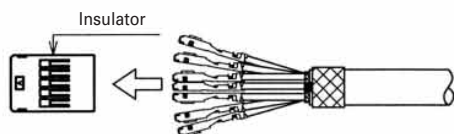
⑤ Strip the wire leads.



⑥ Crimp the center terminals.

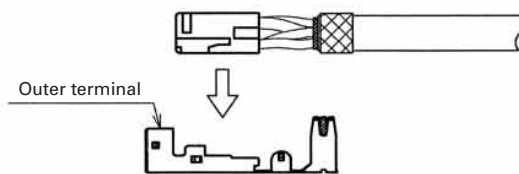


⑦ Insert the center terminals into the insulator.

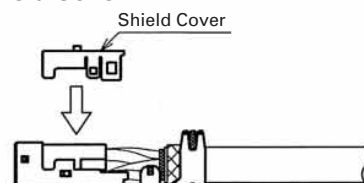


GT17V-10DS-HU Harness Finish

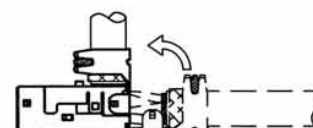
⑧ Insert the insulator into the Outer terminal.



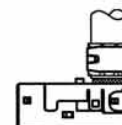
⑨ Insert the Shield Cover.



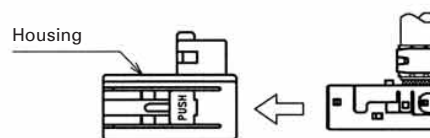
⑩ Fold back the Outer terminal.



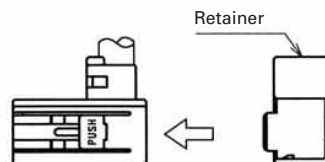
⑪ Crimp the Outer terminal.



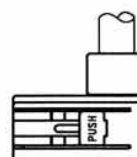
⑫ Insert the Outer terminal into the housing.



⑬ Insert the retainer.



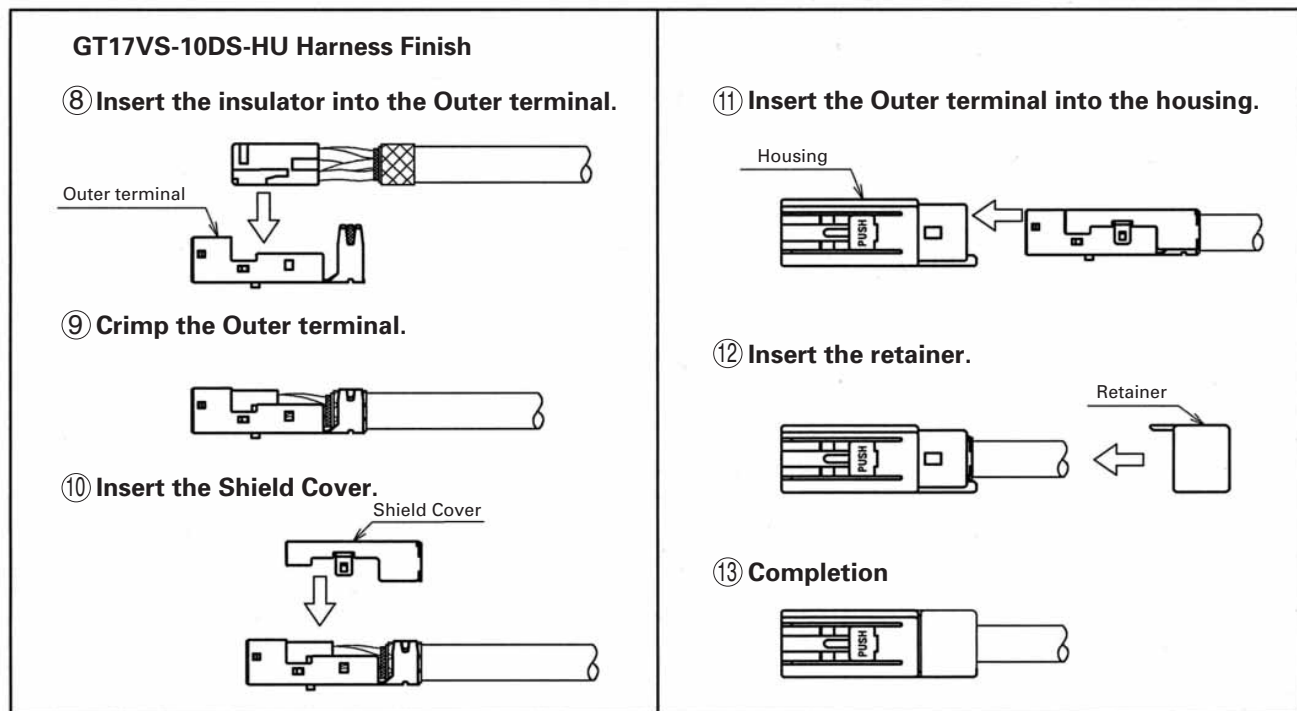
⑭ Completion



GT17 Series

Coaxial cable connection of Antennas, Sensors, and Communication Trunk Lines

GT 3
GT 6W
GT 7
GT 10
GT 18W
GT 15
GT 8
GT 9
GT 25



◆ Termination Tools

User's manuals are available. Please ask your Hirose Electric account representative.

Automatic Crimping Machine



Part Number CM-105

Hand Press



◆ Harness Tools

| Product Number | HRS No. | Applicator Product Number |
|----------------|------------|---------------------------|
| GT17-2022SCF | 901-5083-5 | AP105-GT17-2022S |
| GT17-2428SCF | 901-5084-8 | AP105-GT17-2428S |
| GT17-30SCF | 901-5107-1 | AP105-GT17-30S |

◆ Specifications

| Item | Specification | Remarks |
|-------------------|----------------------------|---------------|
| Specification | 1.5ton | |
| Stroke Length | 30mm | |
| Number of strokes | 200spm (50Hz) | 240spm (60Hz) |
| Weight | 75kg | |
| Motor | 0.2kW | AC100V |
| Crimping speed | 2000 to 4000 pcs. per hour | |

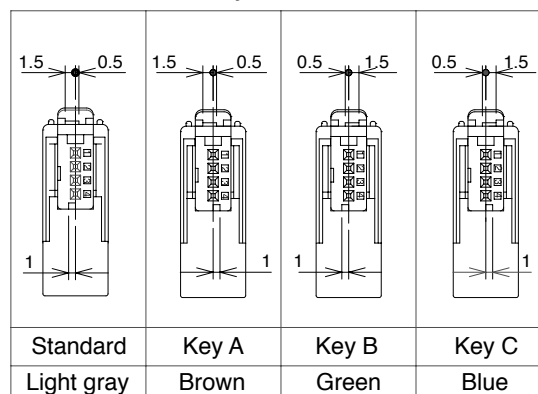
| Product Number | HRS No. | Type | Applicator Product Number |
|-------------------|------------|----------|---------------------------|
| GT17H-4S-5CF | 767-0087-4 | ANGLE | GT17H-4S-5CF/CR-MP |
| GT17HS-4S-5CF | 767-0165-5 | STRAIGHT | |
| GT17V-6DS-3.8CF | 767-0075-5 | ANGLE | GT17V-6DS-3.8/CR-MP |
| GT17V-6DS-5CF | 767-0027-2 | ANGLE | GT17VS-6DS-5/CR-MP |
| GT17VS-6DS-5CF | 767-0050-4 | STRAIGHT | |
| GT17VS-6DP-5CF | 767-0080-5 | STRAIGHT | GT17VS-6DP-5/CR-MP |
| GT17-8DS-7CF | 767-0007-5 | ANGLE | GT17S-8DS-7CF-MP |
| GT17S-8DS-7CF | 767-0106-7 | STRAIGHT | |
| GT17V-10DS-8CF | 767-0037-6 | ANGLE | GT17V-10DS/CR-MP |
| GT17VS-10DS-8CF | 767-0059-9 | STRAIGHT | |
| GT17VS-10DS-4.6CF | 767-0116-0 | STRAIGHT | GT17VS-10DS-4.6/CR-MP |
| GT17VS-10DP-5.2CF | 767-0114-5 | STRAIGHT | GT17VS-10DP-5.2/CR-MP |

* Concerning the crimp height of terminals, crimp height settings have been prepared for each type of cable. Please contact a Hirose Electric account representative for further information.
 Please note that new crimp height settings will be made for new cables and that this might take several days.

4-Conductor Right-angle Connectors



Key variation



◆ The product comprises 5 parts.
 (Housing, insulator, outer terminal, retainer, center terminal)

● Housing

| Part Number | CL No. | Material / Finish or Color | Packaging | RoHS |
|-------------|------------|----------------------------|-----------|------|
| GT17H-4S-HU | 767-0085-9 | PBT / Dark Gray | 1 | YES |

● Insulator

| Part Number | CL No. | Material / Finish or Color | Packaging | RoHS |
|----------------|------------|----------------------------|-----------|------|
| GT17H-4S-2C | 767-0084-6 | PBT / Light Gray | 1 | YES |
| GT17H-4S-2C(A) | 767-0167-1 | PBT / Brown | 1 | |
| GT17H-4S-2C(B) | 767-0168-4 | PBT / Green | 1 | |
| GT17H-4S-2C(C) | 767-0169-7 | PBT / Blue | 1 | |

● Outer terminal

| Part Number | CL No. | Material / Finish or Color | Packaging | RoHS |
|--------------|------------|----------------------------|-----------|------|
| GT17H-4S-5CF | 767-0027-2 | Copper alloy / Tin plating | 1 | YES |

● Retainer

| Part Number | CL No. | Material / Finish or Color | Packaging | RoHS |
|-------------|------------|----------------------------|-----------|------|
| GT17H-4S-R | 767-0086-1 | PBT / Dark Gray | 1 | YES |

● Center terminal

| Part Number | CL No. | Material / Finish or Color | Conductor Size(AWG) | Remarks | RoHS |
|-----------------|---------------|-------------------------------|---------------------|---------------------|------|
| GT8-2428SCF(70) | 758-0001-8-70 | Phosphor Bronze / Tin plating | #24 to 28 | 10,000 pcs per reel | YES |

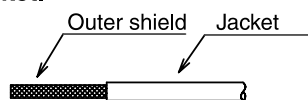
◆ Mating Table

| Color | Cable side connector | Board connector | | |
|-------|--------------------------|-----------------|-----------------|------------------|
| | | SMT Type | DIP Type | |
| | | | Angle Type | Straight Type |
| Gray | GT17H-4S-ASSY | GT17H-4P-2H | GT17H-4P-2DS | GT17H-4P-2DSA |
| Brown | GT17H-4S-ASSY(Key TypeA) | GT17H-4P-2H(A) | GT17H-4P-2DS(A) | GT17H-4P-2DSA(A) |
| Green | GT17H-4S-ASSY(Key TypeB) | GT17H-4P-2H(B) | GT17H-4P-2DS(B) | GT17H-4P-2DSA(B) |
| Blue | GT17H-4S-ASSY(Key TypeC) | GT17H-4P-2H(C) | GT17H-4P-2DS(C) | GT17H-4P-2DSA(C) |

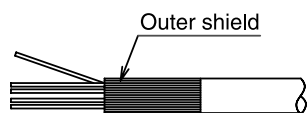
Coaxial cable connection of Antennas, Sensors, and Communication Trunk Lines
 GT 5
 GT 13
 GT 16
 PO5G
 GT 11
 GT 14
GT 17
 GT 19
 GT 3
 GT 6W
 GT 7
 GT 10
 GT 18W
 GT 15
 GT 8
 GT 9
 GT 25

◆ Wiring Method (4-Conductor Right-angle Type)

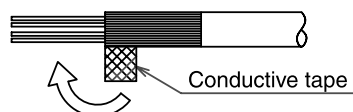
① Strip Jacket.



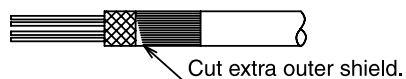
② Turn Outer shield to Backward.



③ Cover the cable by conductive tape.



④ Cut extra outer shield.



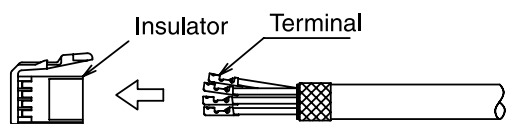
⑤ Strip Jacket.



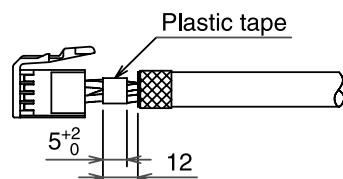
⑥ Crimp the terminal.



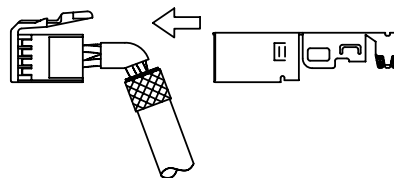
⑦ Insert terminal to the insulator.



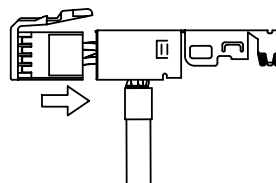
⑧ Cover middle of the cable by plastic tape.



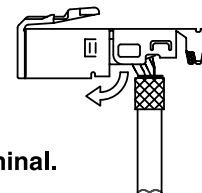
⑨ Insert insulator to the Outer tube terminal.



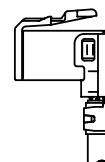
⑩



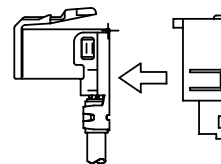
⑪ Bent the outer tube terminal 90°.



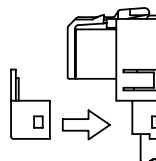
⑫ Crimp the outer tube terminal.



⑭ Insert the assembled outer tube terminal to the housing.



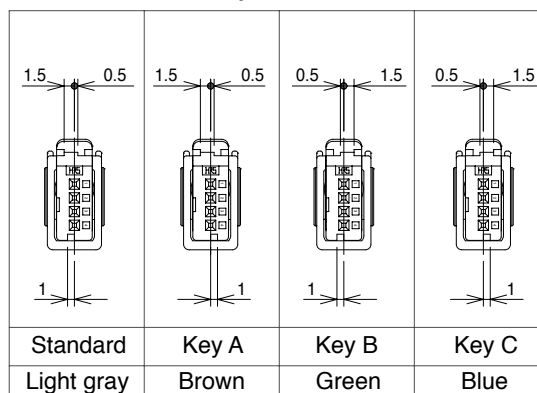
⑮ Set the Retainer.



4-Conductor Straight Connectors



Key variation



◆ The product comprises 4 parts.
 (Housing, insulator, outer terminal, center terminal)

● Housing

| Part Number | CL No. | Material / Finish or Color | Packaging | RoHS |
|--------------|------------|----------------------------|-----------|------|
| GT17HS-4S-HU | 767-0133-0 | PBT / Dark Gray | 1 | YES |

● Insulator

| Part Number | CL No. | Material / Finish or Color | Packaging | RoHS |
|----------------|------------|----------------------------|-----------|------|
| GT17H-4S-2C | 767-0084-6 | PBT / Light Gray | 1 | YES |
| GT17H-4S-2C(A) | 767-0167-1 | PBT / Brown | 1 | |
| GT17H-4S-2C(B) | 767-0168-4 | PBT / Green | 1 | |
| GT17H-4S-2C(C) | 767-0169-7 | PBT / Blue | 1 | |

● Outer terminal

| Part Number | CL No. | Material / Finish or Color | Packaging | RoHS |
|---------------|------------|----------------------------|-----------|------|
| GT17HS-4S-5CF | 767-0135-5 | Copper alloy / Tin plating | 1 | YES |

● Center terminal

| Part Number | CL No. | Material / Finish or Color | Conductor Size(AWG) | Remarks | RoHS |
|-----------------|---------------|-------------------------------|---------------------|---------------------|------|
| GT8-2428SCF(70) | 758-0001-8-70 | Phosphor Bronze / Tin plating | #24 to 28 | 10,000 pcs per reel | YES |

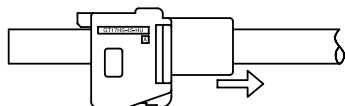
◆ Mating Table

| Color | Cable side connector | Board connector | | |
|-------|--------------------------|-----------------|-----------------|------------------|
| | | SMT Type | DIP Type | |
| | | | Angle Type | Straight Type |
| Gray | GT17H-4S-ASSY | GT17H-4P-2H | GT17H-4P-2DS | GT17H-4P-2DSA |
| Brown | GT17H-4S-ASSY(Key TypeA) | GT17H-4P-2H(A) | GT17H-4P-2DS(A) | GT17H-4P-2DSA(A) |
| Green | GT17H-4S-ASSY(Key TypeB) | GT17H-4P-2H(B) | GT17H-4P-2DS(B) | GT17H-4P-2DSA(B) |
| Blue | GT17H-4S-ASSY(Key TypeC) | GT17H-4P-2H(C) | GT17H-4P-2DS(C) | GT17H-4P-2DSA(C) |

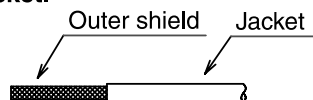
Coaxial cable connection of Antennas, Sensors, and Communication Trunk Lines
 GT 5
 GT 13
 GT 16
 PO5G
 GT 11
 GT 14
GT 17
 GT 19
 GT 3
 GT 6W
 GT 7
 GT 10
 GT 18W
 GT 15
 GT 8
 GT 9
 GT 25

◆ Wiring Method (4-Conductor Straight Type)

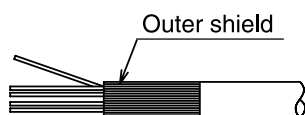
① Insert housing to the cable.



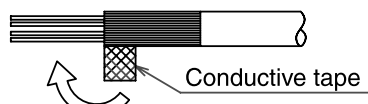
② Strip Jacket.



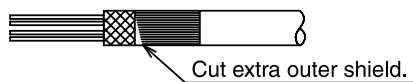
③ Turn Outer shield to backward.



④ Cover the cable by conductive tape.



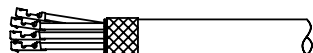
⑤ Cut extra outer shield.



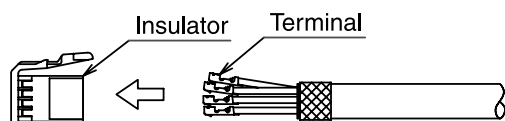
⑥ Strip Jacket.



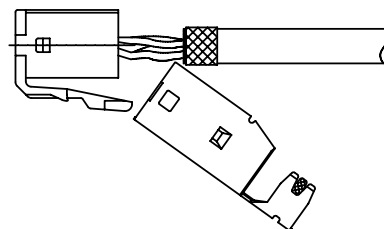
⑦ Crimp the terminal.



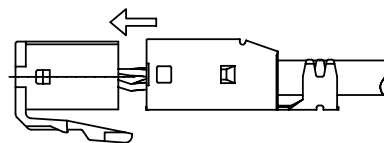
⑧ Insert terminal to the Insulator.



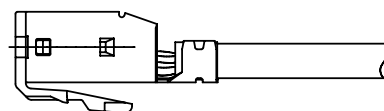
⑨ Set outer tube terminal to the insulator.



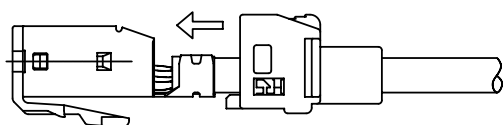
⑩ Set outer tube terminal to the insulator.



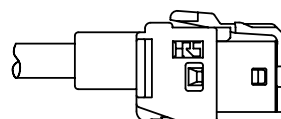
⑪ Crimp outertube terminal.



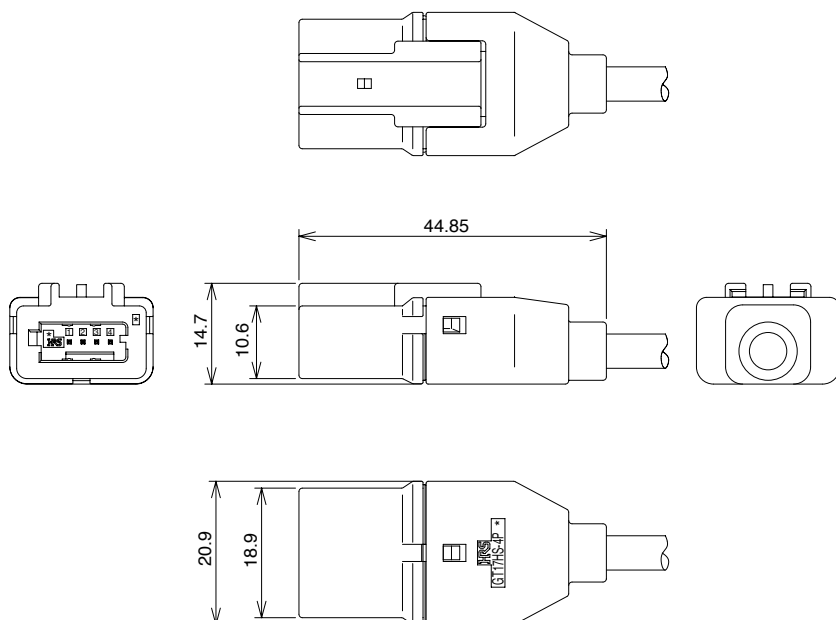
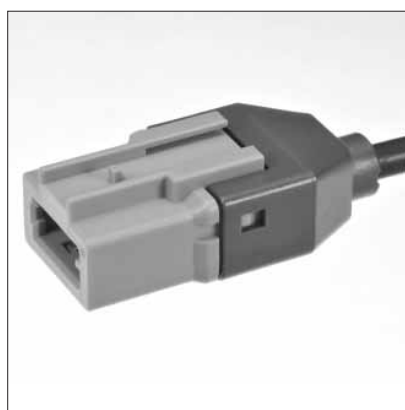
⑫ Slide up housing to outer tube terminal.



⑬ Finish.



4-Conductor Inline Connectors



◆The product comprises 6 parts.

(Housing, insulator, outer terminal, shield plate, retainer, and center terminal)

●Housing

| Part Number | CL No. | Material / Finish or Color | Packaging | RoHS |
|---------------|------------|----------------------------|-----------|------|
| GT17HSP-4P-HU | 767-0158-0 | PBT / Light Gray | 1 | YES |

●Insulator

| Part Number | CL No. | Material / Finish or Color | Packaging | RoHS |
|--------------|------------|----------------------------|-----------|------|
| GT17HS-4P-2C | 767-0155-2 | PBT / Light Gray | 1 | YES |

●Outer terminal

| Part Number | CL No. | Material / Finish or Color | Packaging | Remarks | RoHS |
|---------------|------------|----------------------------|-----------|-----------------|------|
| GT17HS-4P-5CF | 767-0156-5 | Copper alloy / Tin plating | reel | 800pcs per reel | YES |

●Shield plate

| Part Number | CL No. | Material / Finish or Color | Packaging | RoHS |
|--------------|------------|----------------------------|-----------|------|
| GT17HS-4P-SC | 767-0157-8 | Copper alloy / Tin plating | 1 | YES |

●Retainer

| Part Number | CL No. | Material / Finish or Color | Packaging | RoHS |
|-------------|------------|----------------------------|-----------|------|
| GT17HS-4P-R | 767-0159-3 | PBT / Dark Gray | 1 | YES |

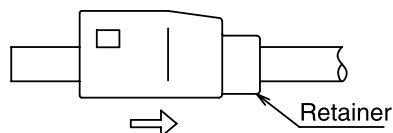
●Center terminal

| Part Number | CL No. | Material / Finish or Color | Conductor Size(AWG) | Remarks | RoHS |
|--------------|------------|-------------------------------|---------------------|---------------------|------|
| GT8E-2428PCF | 758-0067-6 | Phosphor Bronze / Tin plating | #24 to 28 | 10,000 pcs per reel | YES |

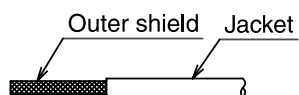
Coaxial cable connection of Antennas, Sensors, and Communication Trunk Lines
 GT 5
 GT 13
 GT 16
 PO5G
 GT 11
 GT 14
GT 17
 GT 19
 GT 3
 GT 6W
 GT 7
 GT 10
 GT 18W
 GT 15
 GT 8
 GT 9
 GT 25

◆ Wiring Method (4-Conductor Right-angle Type)

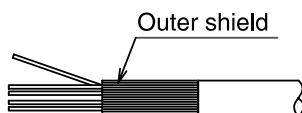
- ① Insert retainer to the cable.



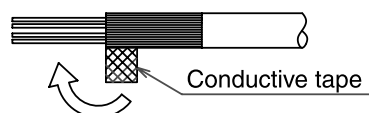
- ② Strip Jacket.



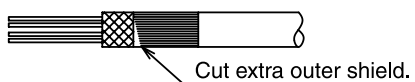
- ③ Turn Outer shield to backward.



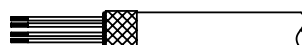
- ④ Cover the cable by conductive tape.



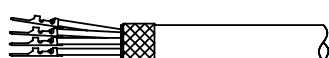
- ⑤ Cut extra outer shield.



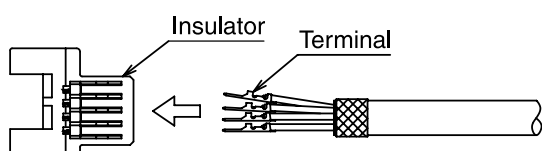
- ⑥ Strip Jacket.



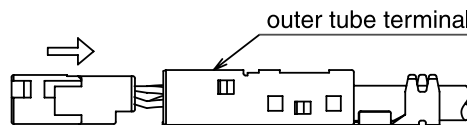
- ⑦ Crimp the terminal.



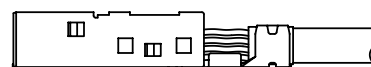
- ⑧ Insert terminal to the Insulator.



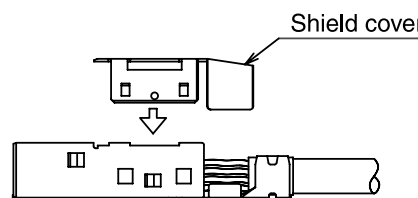
- ⑨ Set the insulator to the outer tube terminal.



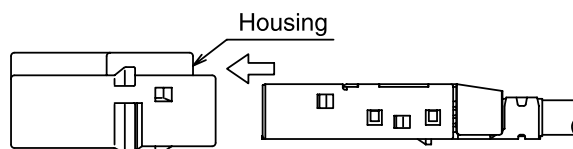
- ⑩ Crimp the outertube terminal.



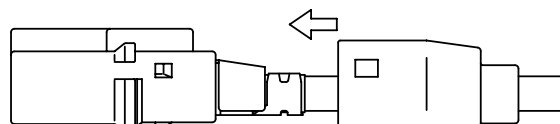
- ⑪ Set the shield cover to the outer tube terminal.



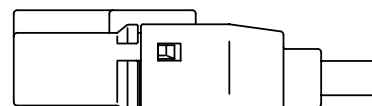
- ⑫ Insert the outer tube terminal to the housing.



- ⑬ Slide up the retainer to the housing.



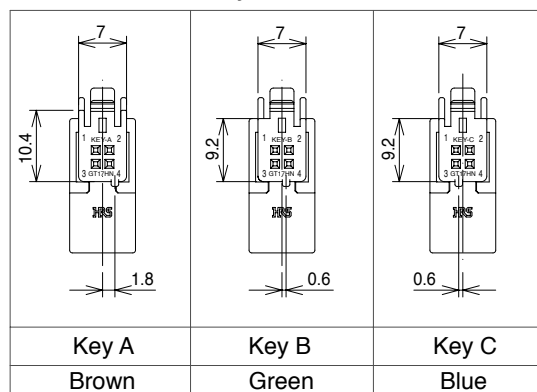
- ⑭ Finish



4-Conductor Right-angle Connectors



Key variation



◆ The product comprises 5 parts.
 (Housing, insulator, outer terminal, retainer, center terminal)

● Housing

| Part Number | CL No. | Material / Finish or Color | Packaging | RoHS |
|---------------|------------|----------------------------|-----------|------|
| GT17HN-4DS-HU | 767-0141-8 | PBT / Dark Gray | 1 | YES |

● Insulator

| Part Number | CL No. | Material / Finish or Color | Packaging | RoHS |
|------------------|------------|----------------------------|-----------|------|
| GT17HN-4DS-2C(A) | 767-0140-5 | PBT / Brown | 1 | YES |
| GT17HN-4DS-2C(B) | 767-0147-4 | PBT / Green | 1 | |
| GT17HN-4DS-2C(C) | 767-0148-7 | PBT / Blue | 1 | |

● Outer terminal

| Part Number | CL No. | Material / Finish or Color | Packaging | RoHS |
|----------------|------------|----------------------------|-----------|------|
| GT17HN-4DS-5CF | 767-0142-0 | Copper alloy / Tin plating | 1 | YES |

● Retainer

| Part Number | CL No. | Material / Finish or Color | Packaging | RoHS |
|--------------|------------|----------------------------|-----------|------|
| GT17HN-4DS-R | 767-0143-3 | PBT / Dark Gray | 1 | YES |

● Center terminal

| Part Number | CL No. | Material / Finish or Color | Conductor Size(AWG) | Remarks | RoHS |
|-----------------|---------------|-------------------------------|---------------------|---------------------|------|
| GT8-2428SCF(70) | 758-0001-8-70 | Phosphor Bronze / Tin plating | #24 to 28 | 10,000 pcs per reel | YES |

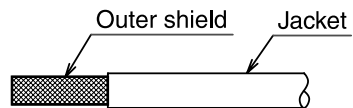
◆ Mating Table

| Color | Cable side connector | Board connector | |
|-------|----------------------------|---|-----------------|
| | | Angle Type | Straight Type |
| Brown | GT17HN-4DS-ASSY(Key TypeA) | GT17HN-4DP-2H(A) | GT17HJ-4DP-2DSA |
| Green | GT17HN-4DS-ASSY(Key TypeB) | GT17HN-4DP-2H(B) GT17HN-4/4DP-2H(BC) | / |
| Blue | GT17HN-4DS-ASSY(Key TypeC) | GT17HN-4DP-2H(C) GT17HN-4/4DP-2H(BC) | |

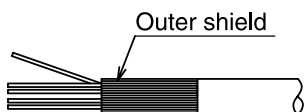
Coaxial cable connection of Antennas, Sensors, and Communication Trunk Lines
 GT 5
 GT 13
 GT 16
 PO5G
 GT 11
 GT 14
GT 17
 GT 19
 GT 3
 GT 6W
 GT 7
 GT 10
 GT 18W
 GT 15
 GT 8
 GT 9
 GT 25

◆ Wiring Method (4-Conductor Right-angle Type)

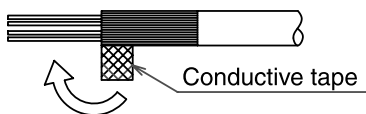
① Strip Jacket.



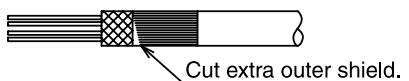
② Turn Outer shield to backward.



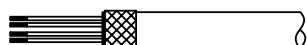
③ Cover the cable by conductive tape.



④ Cut extra outer shield.



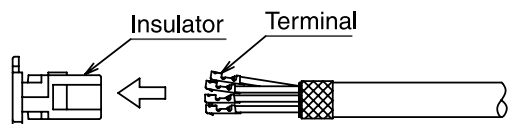
⑤ Strip Jacket.



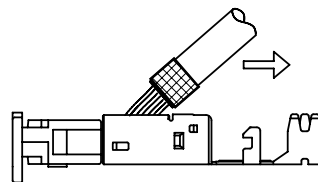
⑥ Crimp the terminal.



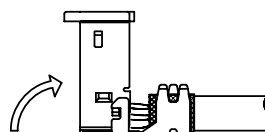
⑦ Insert terminal to the Insulator.



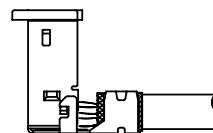
⑧ Insert insulator to the Outer tube terminal.



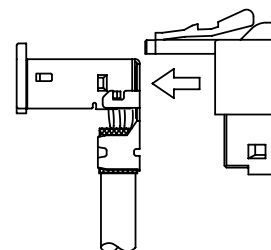
⑨ Bent the outer tube terminal 90.



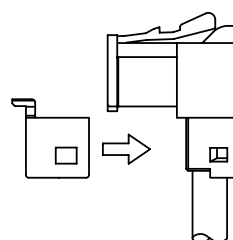
⑩ Crimp the outer tube terminal.



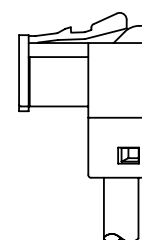
⑪ Insert the assembled outer tube terminal to the housing.



⑫ Set the Retainer.



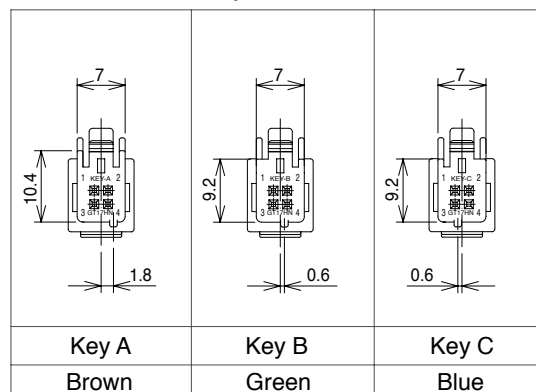
⑬ Finish.



4-Conductor Straight Connectors



Key variation



◆ The product comprises 4 parts.
 (Housing, insulator, outer terminal, center terminal)

● Housing

| Part Number | CL No. | Material / Finish or Color | Packaging | RoHS |
|----------------|------------|----------------------------|-----------|------|
| GT17HNS-4DS-HU | 767-0150-9 | PBT / Dark Gray | 1 | YES |

● Insulator

| Part Number | CL No. | Material / Finish or Color | Packaging | RoHS |
|------------------|------------|----------------------------|-----------|------|
| GT17HN-4DS-2C(A) | 767-0140-5 | PBT / Brown | 1 | YES |
| GT17HN-4DS-2C(B) | 767-0147-4 | PBT / Green | 1 | |
| GT17HN-4DS-2C(C) | 767-0148-7 | PBT / Blue | 1 | |

● Outer terminal

| Part Number | CL No. | Material / Finish or Color | Packaging | RoHS |
|-----------------|------------|----------------------------|-----------|------|
| GT17HNS-4DS-5CF | 767-0151-1 | Copper alloy / Tin plating | 1 | YES |

● Center terminal

| Part Number | CL No. | Material / Finish or Color | Conductor Size(AWG) | Remarks | RoHS |
|-----------------|---------------|-------------------------------|---------------------|---------------------|------|
| GT8-2428SCF(70) | 758-0001-8-70 | Phosphor Bronze / Tin plating | #24 to 28 | 10,000 pcs per reel | YES |

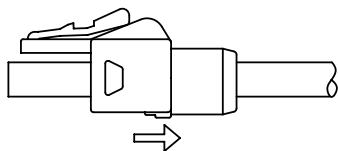
◆ Mating Table

| Color | Cable side connector | Board connector | |
|-------|-----------------------------|---|-----------------|
| | | Angle Type | Straight Type |
| Brown | GT17HNS-4DS-ASSY(Key TypeA) | GT17HN-4DP-2H(A) | GT17HJ-4DP-2DSA |
| Green | GT17HNS-4DS-ASSY(Key TypeB) | GT17HN-4DP-2H(B) GT17HN-4/4DP-2H(BC) | / |
| Blue | GT17HNS-4DS-ASSY(Key TypeC) | GT17HN-4DP-2H(C) GT17HN-4/4DP-2H(BC) | |

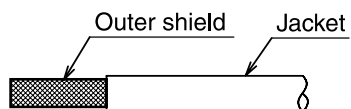
Coaxial cable connection of Antennas, Sensors, and Communication Trunk Lines
 GT 5
 GT 13
 GT 16
 PO5G
 GT 11
 GT 14
GT 17
 GT 19
 GT 3
 GT 6W
 GT 7
 GT 10
 GT 18W
 GT 15
 GT 8
 GT 9
 GT 25

◆ Wiring Method (4-Conductor Straight Type)

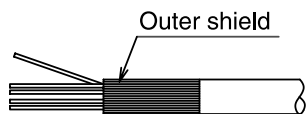
① Insert housing to the cable.



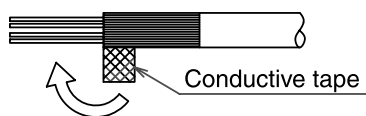
② Strip Jacket.



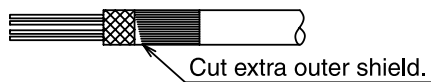
③ Turn Outer shield to backward.



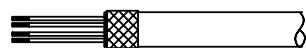
④ Cover the cable by conductive tape.



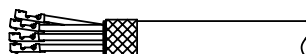
⑤ Cut extra outer shield.



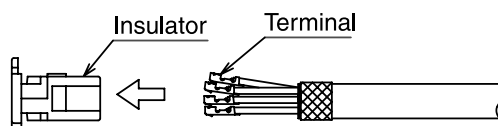
⑥ Strip Jacket.



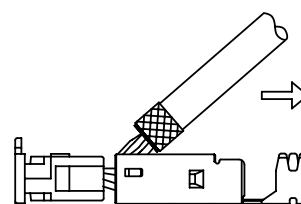
⑦ Crimp the terminal.



⑧ Insert terminal to the Insulator.



⑨ Set outer tube terminal to the insulator.



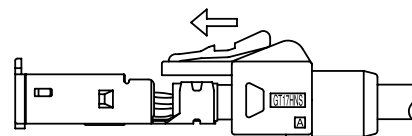
⑩ Set outer tube terminal to the insulator.



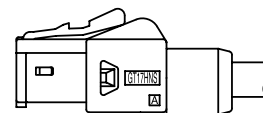
⑪ Crimp outertube terminal.



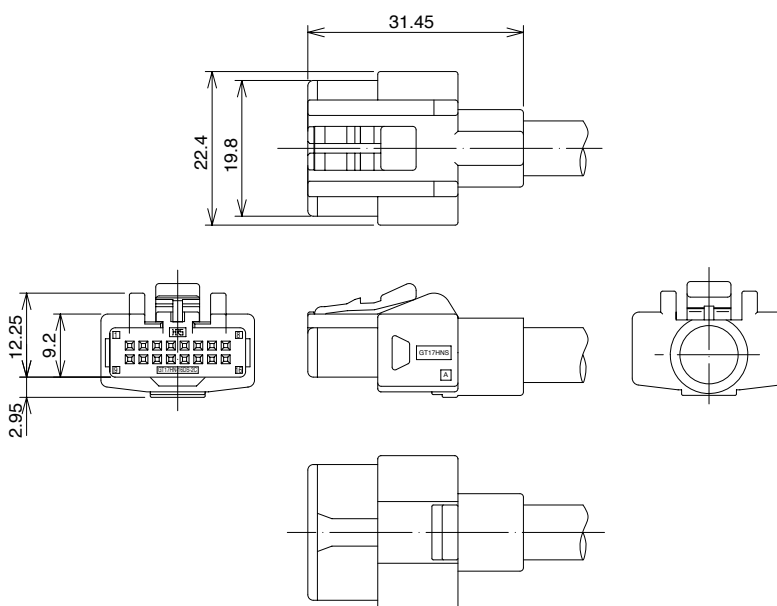
⑫ Slide up housing to outer tube terminal.



⑬ Finish.



16-Conductor Straight Connectors



◆ The product comprises 4 parts.
 (Housing, insulator, outer terminal, and center terminal)

● Housing

| Part Number | CL No. | Material / Finish or Color | Packaging | RoHS |
|-----------------|------------|----------------------------|-----------|------|
| GT17HNS-16DS-HU | 767-0164-3 | PBT / Dark Gray | 1 | YES |

● Insulator

| Part Number | CL No. | Material / Finish or Color | Packaging | RoHS |
|----------------|------------|----------------------------|-----------|------|
| GT17HN-16DS-2C | 767-0162-8 | PBT / Light Gray | 1 | YES |

● Outer terminal

| Part Number | CL No. | Material / Finish or Color | Packaging | RoHS |
|------------------|------------|----------------------------|-----------|------|
| GT17HNS-16DS-8CF | 767-0165-6 | Copper alloy / Tin plating | 1 | YES |

● Center terminal

| Part Number | CL No. | Material / Finish or Color | Conductor Size(AWG) | Remarks | RoHS |
|-----------------|---------------|-------------------------------|---------------------|---------------------|------|
| GT8-2428SCF(70) | 758-0001-8-70 | Phosphor Bronze / Tin plating | #24 to 28 | 10,000 pcs per reel | YES |

◆ Mating Table

| Board connector |
|-----------------|
| GT17HN-16DP-2H |

Coaxial cable connection of Antennas, Sensors, and Communication Trunk Lines

- GT 5
- GT 13
- GT 16
- PO5G
- GT 11
- GT 14
- GT 17**
- GT 19
- GT 3
- GT 6W
- GT 7
- GT 10
- GT 18W
- GT 15
- GT 8
- GT 9
- GT 25

GT17 Series

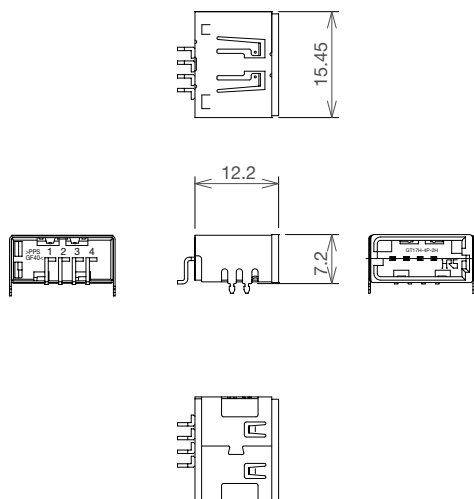
Coaxial cable connection of Antennas, Sensors, and Communication Trunk Lines

- GT 5
- GT 13
- GT 16
- PO5G
- GT 11
- GT 14
- GT 17**
- GT 19
- GT 3
- GT 6W
- GT 7
- GT 10
- GT 18W
- GT 15
- GT 8
- GT 9
- GT 25

4-Conductor SMT Connector(Right side key)



GT17H-4P-2H



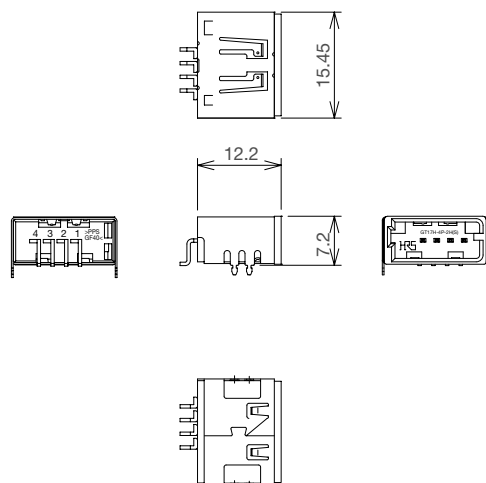
| | |
|------------|-------|
| | |
| Standard | Key B |
| Light gray | Green |
| | |
| Key A | Key C |
| Brown | Blue |

| Part Number | CL No. | Color | Material / Finish | Packaging | RoHS |
|----------------|------------|------------|---|------------------|------|
| GT17H-4P-2H | 767-0083-3 | Light Gray | Housing:PPS Center terminal:Brass/Tin plating Outer terminal:Copper alloy/Tin plating | 400 pcs.per reel | YES |
| GT17H-4S-2C(A) | 767-0167-1 | Brown | | | |
| GT17H-4S-2C(B) | 767-0168-4 | Green | | | |
| GT17H-4S-2C(C) | 767-0169-7 | Blue | | | |

4-Conductor SMT Connector(Left side key)



GT17HR-4P-2H



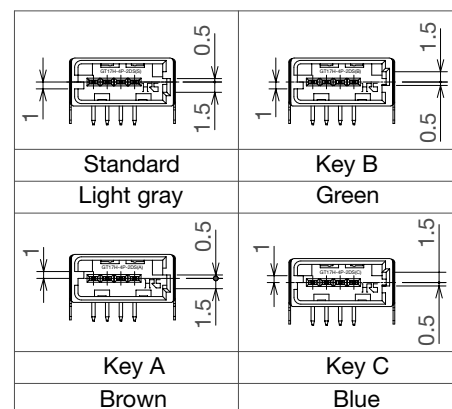
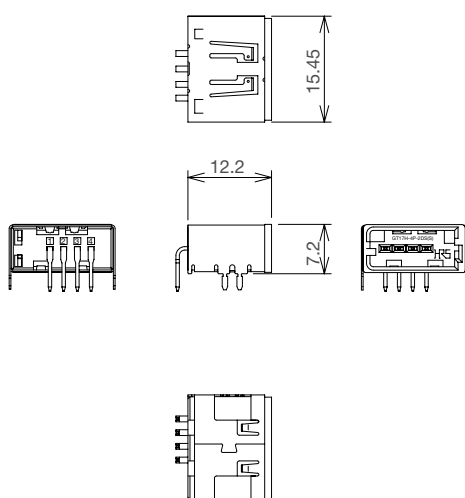
| | |
|------------|----------|
| | Planning |
| Standard | Key B |
| Light gray | Green |
| Planning | Planning |
| Key A | Key C |
| Brown | Blue |

| Part Number | CL No. | Color | Material / Finish | Packaging | RoHS |
|--------------|------------|------------|---|------------------|------|
| GT17HR-4P-2H | 767-0146-1 | Light Gray | Housing:PPS Center terminal:Brass/Tin plating Outer terminal:Copper alloy/Tin plating | 400 pcs.per reel | YES |

4-Conductor Printed Circuit Board Connector



GT17H-4P-2DS

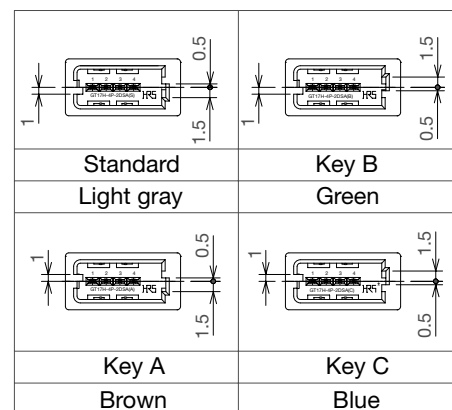
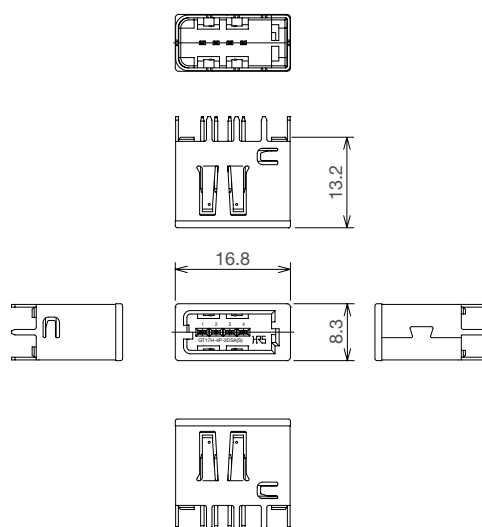


| Part Number | CL No. | Color | Material / Finish | Packaging | RoHS |
|-----------------|------------|------------|---|------------------|------|
| GT17H-4P-2DS | 767-0166-9 | Light Gray | Housing:PPS Center terminal:Brass/Tin plating Outer terminal:Copper alloy/Tin plating | 300 pcs.per reel | YES |
| GT17H-4S-2DS(A) | 767-0210-9 | Brown | | | |
| GT17H-4S-2DS(B) | 767-0211-1 | Green | | | |
| GT17H-4S-2DS(C) | 767-0212-1 | Blue | | | |

4-Conductor Printed Circuit Board Connector



GT17H-4P-2DSA



| Part Number | CL No. | Color | Material / Finish | Packaging | RoHS |
|------------------|------------|------------|---|-----------------|------|
| GT17H-4P-2DSA | 767-0181-2 | Light Gray | Housing:PPS Center terminal:Brass/Tin plating Outer terminal:Copper alloy/Tin plating | 80 pcs.per tray | YES |
| GT17H-4P-2DSA(A) | 767-0182-5 | Brown | | | |
| GT17H-4P-2DSA(B) | 767-0183-8 | Green | | | |
| GT17H-4P-2DSA(C) | 767-0184-0 | Blue | | | |

Coaxial cable connection of Antennas, Sensors, and Communication Trunk Lines

GT 5
GT 13
GT 16
PO5G
GT 11
GT 14
GT 17
GT 19
GT 3
GT 6W
GT 7
GT 10
GT 18W
GT 15
GT 8
GT 9
GT 25

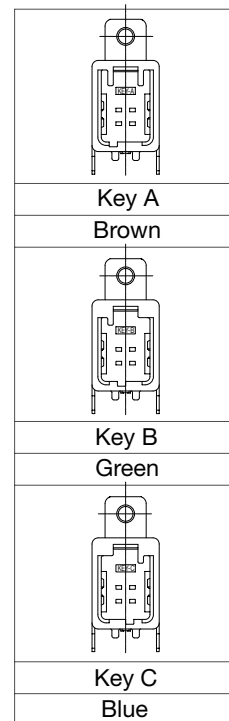
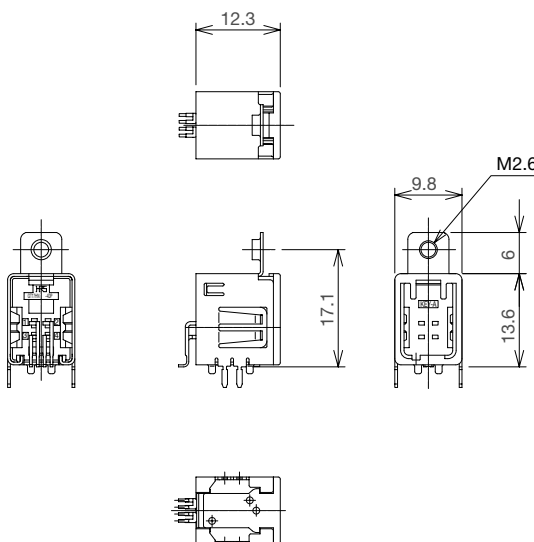
GT17 Series

■ 4-Conductor SMT Connector

● With M2.6 screw flange



GT17HN-4DP-2H(A)

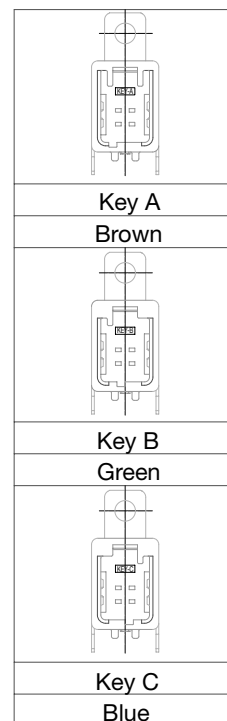
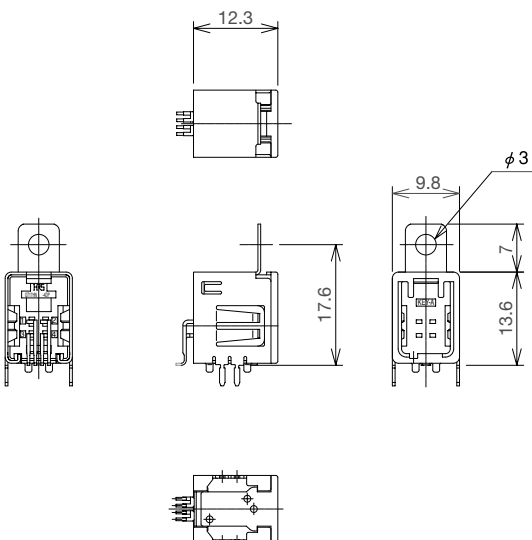


| Part Number | CL No. | Color | Material / Finish | Packaging | RoHS |
|------------------|------------|-------|---|-----------------|------|
| GT17HN-4DP-2H(A) | 767-0144-6 | Brown | Housing:PPS | 60 pcs.per tray | YES |
| GT17HN-4DP-2H(B) | 767-0175-0 | Green | Center terminal:Brass/Tin plating | | |
| GT17HN-4DP-2H(C) | 767-0176-2 | Blue | Outer terminal:Copper alloy/Tin plating | | |

● With 3.2 dia. hole flange



GT17HN-4DP-2H(A)(11)



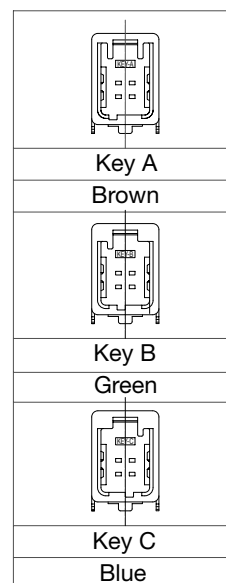
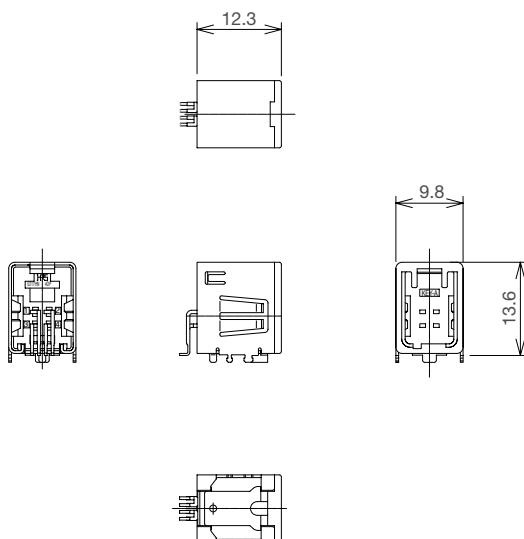
| Part Number | CL No. | Color | Material / Finish | Packaging | RoHS |
|----------------------|---------------|-------|---|-----------------|------|
| GT17HN-4DP-2H(A)(11) | 767-0144-6-11 | Brown | Housing:PPS | 60 pcs.per tray | YES |
| GT17HN-4DP-2H(B)(11) | 767-0175-0-11 | Green | Center terminal:Brass/Tin plating | | |
| GT17HN-4DP-2H(C)(11) | 767-0176-2-11 | Blue | Outer terminal:Copper alloy/Tin plating | | |

Coaxial cable connection of Antennas, Sensors, and Communication Trunk Lines
 GT 5
 GT 13
 GT 16
 PO5G
 GT 11
 GT 14
 GT 17
 GT 19
 GT 3
 GT 6W
 GT 7
 GT 10
 GT 18W
 GT 15
 GT 8
 GT 9
 GT 25

● Without flange



GT17HN-4DP-2H(A)(14)

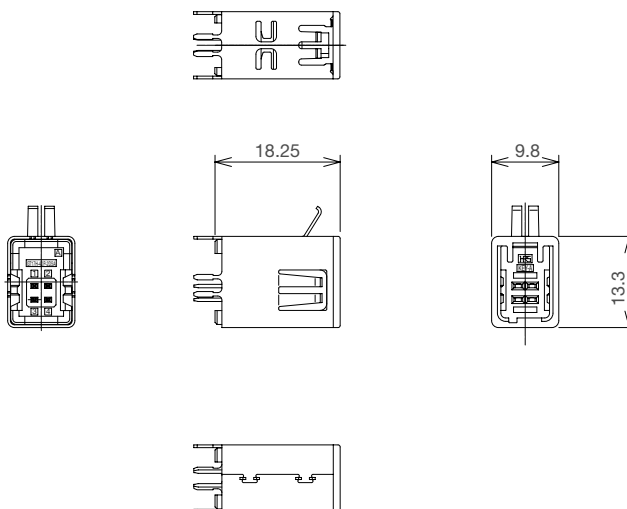


| Part Number | CL No. | Color | Material / Finish | Packaging | RoHS |
|----------------------|---------------|-------|---|------------------|------|
| GT17HN-4DP-2H(A)(14) | 767-0144-6-14 | Brown | Housing:PPS | 300 pcs.per reel | YES |
| GT17HN-4DP-2H(B)(14) | 767-0175-0-14 | Green | Center terminal:Brass/Tin plating | | |
| GT17HN-4DP-2H(C)(14) | 767-0176-2-14 | Blue | Outer terminal:Copper alloy/Tin plating | | |

■ 4-Conductor Printed Circuit Board Connector



GT17HJ-4DP-2DSA



| Part Number | CL No. | Color | Material / Finish | Packaging | RoHS |
|-----------------|---------------|-------|---|-----------------|------|
| GT17HJ-4DP-2DSA | 767-0144-6-14 | Brown | Housing:PPS Center terminal:Brass/Tin plating Outer terminal:Copper alloy/Tin plating | 65 pcs.per reel | YES |

- Coaxial cable connection of Antennas, Sensors, and Communication Trunk Lines
- GT 5
- GT 13
- GT 16
- PO5G
- GT 11
- GT 14
- GT 17**
- GT 19
- GT 3
- GT 6W
- GT 7
- GT 10
- GT 18W
- GT 15
- GT 8
- GT 9
- GT 25

GT17 Series

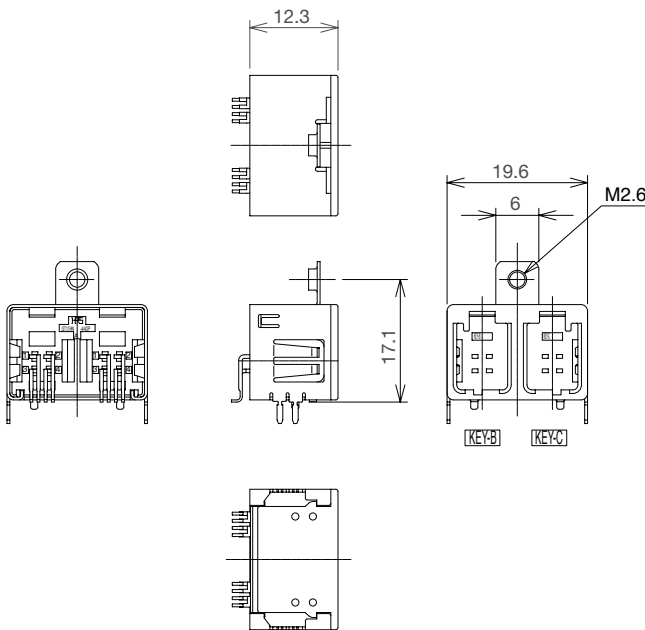
Coaxial cable connection of Antennas, Sensors, and Communication Trunk Lines
 GT 5
 GT 13
 GT 16
 PO5G
 GT 11
 GT 14
 GT 17
 GT 19
 GT 3
 GT 6W
 GT 7
 GT 10
 GT 18W
 GT 15
 GT 8
 GT 9
 GT 25

4/4 Conductor SMT Connector

● With M2.6 screw flange



GT17HN-4/4DP-2H(BC)

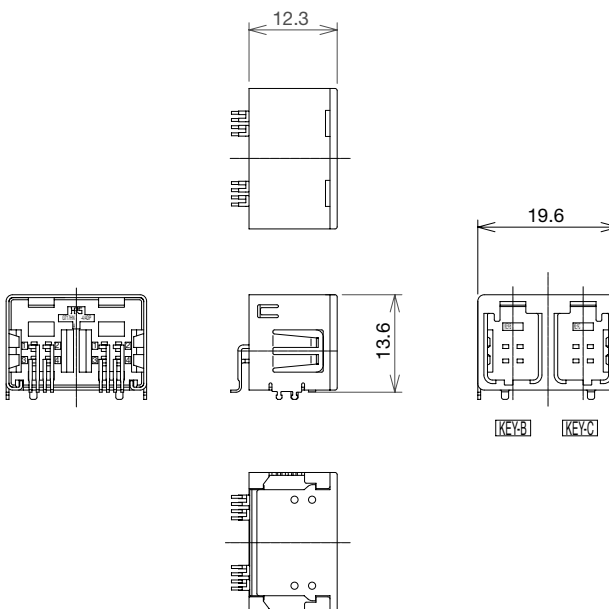


| Part Number | CL No. | Color | Material / Finish | Packaging | RoHS |
|---------------------|------------|------------|---|-----------------|------|
| GT17HN-4/4DP-2H(BC) | 767-0145-9 | Light gray | Housing:PPS Center terminal:Brass/Tin plating Outer terminal:Copper alloy/Tin plating | 40 pcs.per tray | YES |

● Without flange



GT17HN-4/4DP-2H(BC)(14)



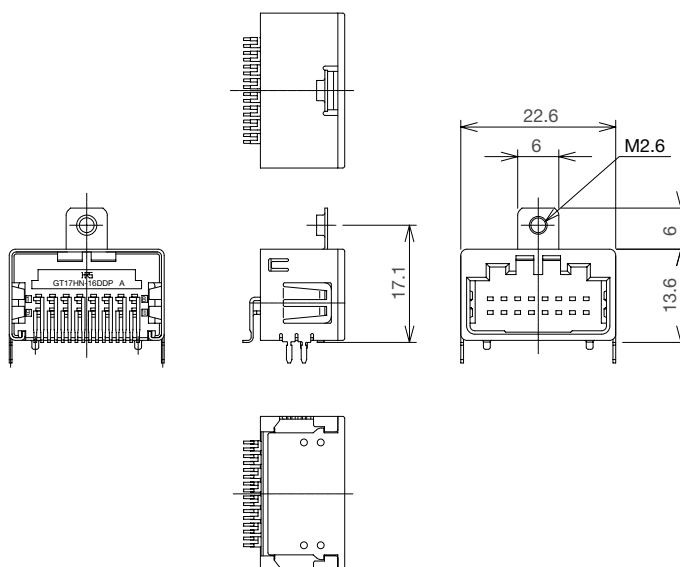
| Part Number | CL No. | Color | Material / Finish | Packaging | RoHS |
|-------------------------|---------------|------------|---|------------------|------|
| GT17HN-4/4DP-2H(BC)(14) | 767-0145-9-14 | Light gray | Housing:PPS Center terminal:Brass/Tin plating Outer terminal:Copper alloy/Tin plating | 200 pcs.per reel | YES |

16 Conductor SMT Connector

● With M2.6 screw flange



GT17HN-16DP-2H

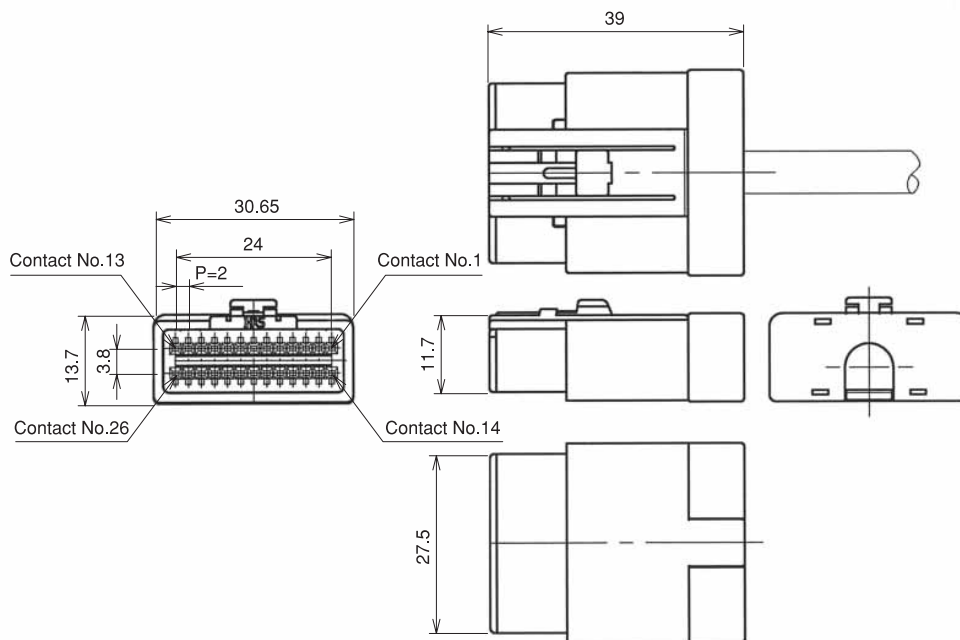


| Part Number | CL No. | Color | Material / Finish | Packaging | RoHS |
|----------------|------------|------------|---|-----------------|------|
| GT17HN-16DP-2H | 767-0153-7 | Light gray | Housing:PPS Center terminal:Brass/Tin plating Outer terminal:Copper alloy/Tin plating | 40 pcs.per tray | YES |

- GT 5
- GT 13
- GT 16
- PO5G
- GT 11
- GT 14
- GT 17**
- GT 19
- GT 3
- GT 6W
- GT 7
- GT 10
- GT 18W
- GT 15
- GT 8
- GT 9
- GT 25

GT17 Series

26-Conductor Straight Connectors



◆ The product comprises 6 parts.
 (Housing, insulator, outer terminal, shield plate, retainer, and center terminal)

● Housing

| Part Number | CL No. | Material / Finish or Color | Packaging | RoHS |
|---------------|------------|----------------------------|-----------|------|
| GT17H-26DS-HU | 767-0094-0 | PBT / Light Gray | 1 | YES |

● Insulator

| Part Number | CL No. | Material / Finish or Color | Packaging | RoHS |
|---------------|------------|----------------------------|-----------|------|
| GT17H-26DS-2C | 767-0095-2 | PBT / Dark Gray | 1 | YES |

● Outer terminal

| Part Number | CL No. | Material / Finish or Color | Packaging | RoHS |
|------------------|------------|----------------------------|-----------|------|
| GT17H-26DS-6.5CF | 767-0097-8 | Copper alloy / Tin plating | pack | YES |

● Shield plate

| Part Number | CL No. | Material / Finish or Color | Packaging | Remarks | RoHS |
|---------------|------------|----------------------------|-----------|-----------------|------|
| GT17H-26DS-SC | 767-0096-5 | Copper alloy / Tin plating | pack | 612pcs per pack | YES |

● Retainer

| Part Number | CL No. | Material / Finish or Color | Packaging | RoHS |
|--------------|------------|----------------------------|-----------|------|
| GT17H-26DS-R | 767-0098-0 | PBT / Dark Gray | 1 | YES |

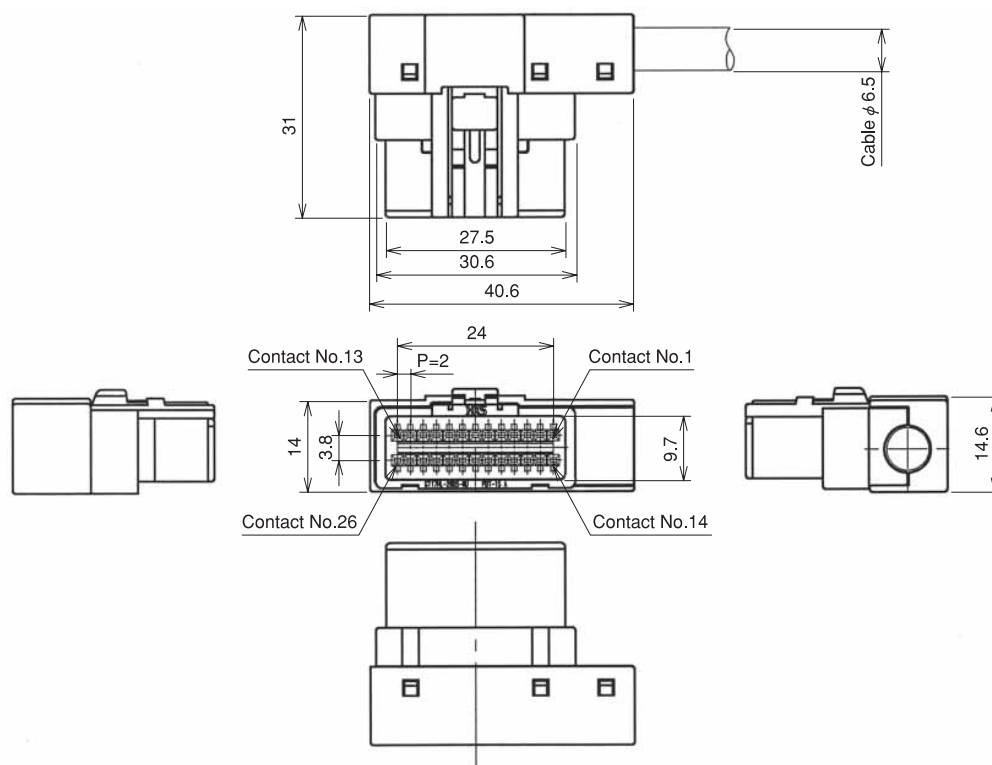
● Center terminal

| Part Number | CL No. | Material / Finish or Color | Conductor Size | Sheath Diameter | Notes | RoHS |
|--------------|------------|----------------------------|----------------|-----------------|------------------------|------|
| GT25-2428SCF | 758-0013-2 | Copper alloy / Tin plating | AWG#24~28 | φ 1.3~1.5 | 1 reel (10,000 pieces) | YES |
| GT25-2630SCF | 758-0012-0 | Copper alloy / Tin plating | AWG#26~30 | φ 0.7~1.0 | 1 reel (10,000 pieces) | |

◆ Mating Table

| Color | Cable side connector | Board connector |
|-------|----------------------|-----------------------------|
| Gray | GT17H-26DS-HU | GT17H-26DP-DS(Board type) |
| | | GT17H-26DP-HU(In-line type) |

26-Conductor Right-angle Connectors (Left Bend)



◆ The product comprises 6 parts.

(Housing, insulator, outer terminal, shield plate, retainer, and center terminal)

● Housing

| Part Number | CL No. | Material / Finish or Color | Packaging | RoHS |
|----------------|------------|----------------------------|-----------|------|
| GT17HL-26DS-HU | 767-0099-3 | PBT / Light Gray | 1 | YES |

● Insulator

| Part Number | CL No. | Material / Finish or Color | Packaging | RoHS |
|---------------|------------|----------------------------|-----------|------|
| GT17H-26DS-2C | 767-0095-2 | PBT / Dark Gray | 1 | YES |

● Outer terminal

| Part Number | CL No. | Material / Finish or Color | Packaging | Remarks | RoHS |
|-------------------|------------|----------------------------|-----------|-----------------|------|
| GT17HL-26DS-6.5CF | 767-0101-3 | Copper alloy / Tin plating | pack | 612pcs per pack | YES |

● Shield plate

| Part Number | CL No. | Material / Finish or Color | Packaging | Remarks | RoHS |
|------------------|------------|----------------------------|-----------|-----------------|------|
| GT17HL/R-26DS-SC | 767-0100-0 | Copper alloy / Tin plating | pack | 612pcs per pack | YES |

● Retainer

| Part Number | CL No. | Material / Finish or Color | Packaging | RoHS |
|---------------|------------|----------------------------|-----------|------|
| GT17HL-26DS-R | 767-0102-6 | PBT / Dark Gray | 1 | YES |

● Center terminal

| Part Number | CL No. | Material / Finish or Color | Line Size | Cover Size | Note | RoHS |
|--------------|------------|----------------------------|-----------|------------|--------------------|------|
| GT25-2428SCF | 758-0013-2 | Copper alloy / Tin plating | AWG#24~28 | φ 1.3~1.5 | 10,000pcs per pack | YES |
| GT25-2630SCF | 758-0012-0 | Copper alloy / Tin plating | AWG#26~30 | φ 0.7~1.0 | 10,000pcs per pack | |

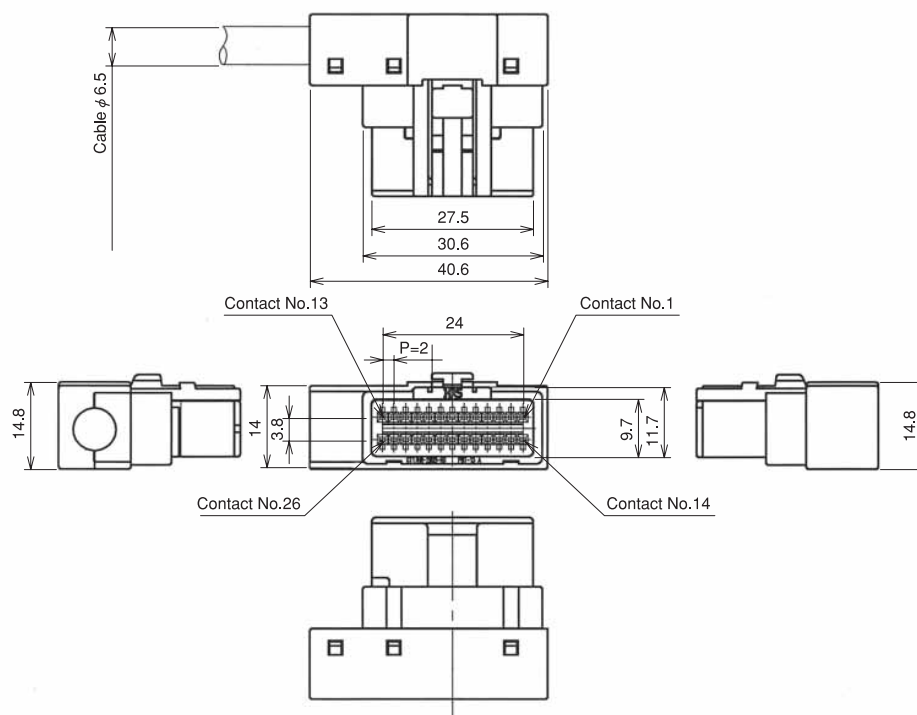
◆ Mating Table

| Color | Cable side connector | Boad connector |
|-------|----------------------|-----------------------------|
| Gray | GT17HL-26DS-HU | GT17H-26DP-DS(Boad type) |
| | | GT17H-26DP-HU(In-line type) |

Coaxial cable connection of Antennas, Sensors, and Communication Trunk Lines
 GT 5
 GT 13
 GT 16
 PO5G
 GT 11
 GT 14
GT 17
 GT 19
 GT 3
 GT 6W
 GT 7
 GT 10
 GT 18W
 GT 15
 GT 8
 GT 9
 GT 25

GT17 Series

26-Conductor Straight Connectors (Right Bend)



◆ The product comprises 6 parts.

(Housing, insulaor, outer terminal, shield plate, retainer, and center terminal)

● Housing

| Part Number | CL No. | Material / Finish or Color | Packaging | RoHS |
|----------------|------------|----------------------------|-----------|------|
| GT17HR-26DS-HU | 767-0118-6 | PBT / Light Gray | 1 | YES |

● Insulator

| Part Number | CL No. | Material / Finish or Color | Packaging | RoHS |
|---------------|------------|----------------------------|-----------|------|
| GT17H-26DS-2C | 767-0095-2 | PBT / Dark Gray | 1 | YES |

● Outer terminal

| Part Number | CL No. | Material / Finish or Color | Packaging | Remarks | RoHS |
|-------------------|------------|----------------------------|-----------|-----------------|------|
| GT17HR-26DS-6.5CF | 767-0119-9 | Copper alloy / Tin plating | pack | 612pcs per pack | YES |

● Shield plate

| Part Number | CL No. | Material / Finish or Color | Packaging | Remarks | RoHS |
|------------------|------------|----------------------------|-----------|-----------------|------|
| GT17HL/R-26DS-SC | 767-0100-0 | Copper alloy / Tin plating | pack | 612pcs per pack | YES |

● Retainer

| Part Number | CL No. | Material / Finish or Color | Packaging | RoHS |
|---------------|------------|----------------------------|-----------|------|
| GT17HR-26DS-R | 767-0120-8 | PBT / Dark Gray | 1 | YES |

● Center terminal

| Part Number | CL No. | Material / Finish or Color | Line Size | Cover Size | Note | RoHS |
|--------------|------------|----------------------------|-----------|------------|--------------------|------|
| GT25-2428SCF | 758-0013-2 | Copper alloy / Tin plating | AWG#24~28 | φ 1.3~1.5 | 10,000pcs per pack | YES |
| GT25-2630SCF | 758-0012-0 | Copper alloy / Tin plating | AWG#26~30 | φ 0.7~1.0 | 10,000pcs per pack | |

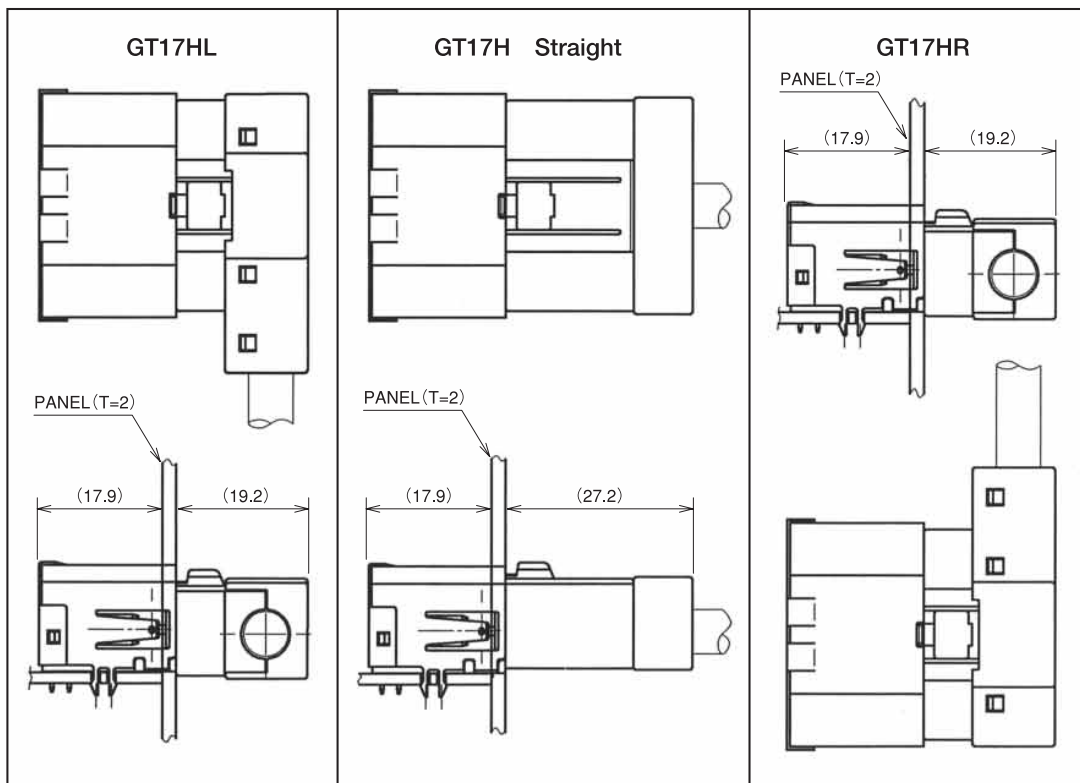
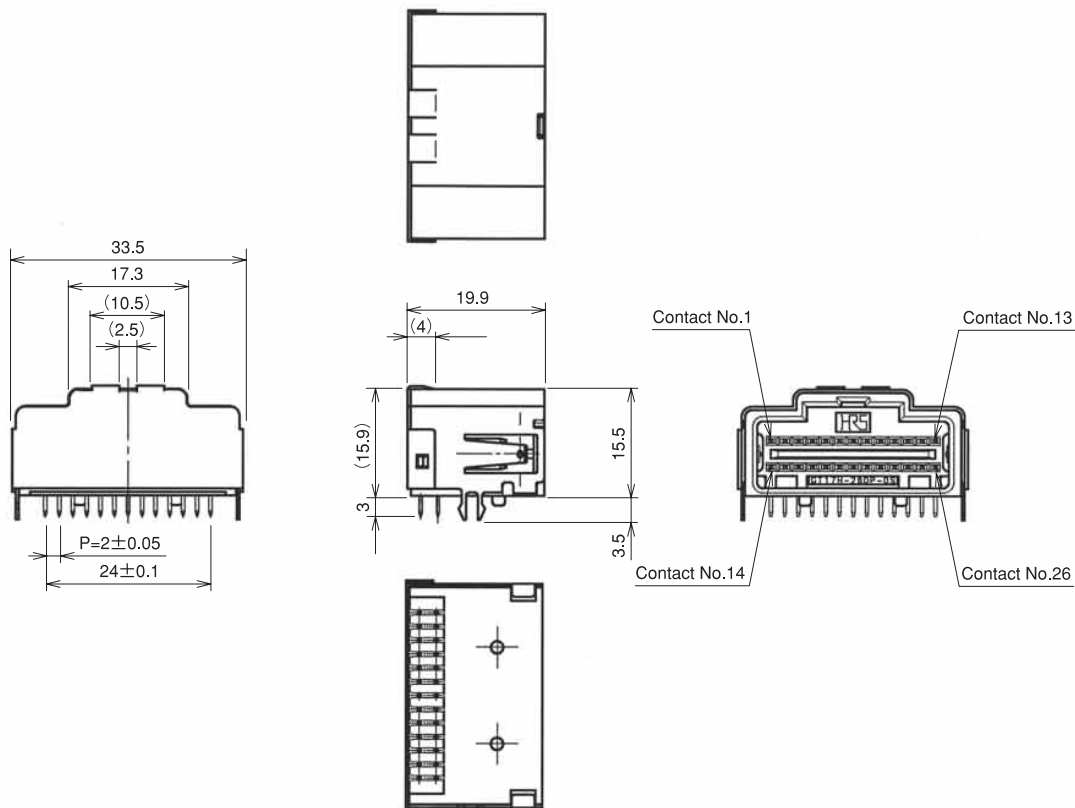
◆ Mating Table

| Color | Cable side connector | Boad connector |
|-------|----------------------|-----------------------------|
| Gray | GT17HR-26DS-HU | GT17H-26DP-DS(Boad type) |
| | | GT17H-26DP-HU(In-line type) |

Coaxial cable connection of Antennas, Sensors, and Communication Trunk Lines
 GT 5
 GT 13
 GT 16
 PO5G
 GT 11
 GT 14
GT 17
 GT 19
 GT 3
 GT 6W
 GT 7
 GT 10
 GT 18W
 GT 15
 GT 8
 GT 9
 GT 25

26-Conductor Printed Circuit Board Connectors (Color: Light Gray)

| Part Number | CL No. | Material / Finish or Color | Packaging | RoHS |
|---------------|------------|---|-----------|------|
| GT17H-26DP-DS | 767-0088-7 | Housing: PBT/Light gray Center terminal: Brass /Tin plating Outer terminal: Copper alloy /Tin plating | 1 | YES |



- GT 5
- GT 13
- GT 16
- PO5G
- GT 11
- GT 14
- GT 17**
- GT 19
- GT 3
- GT 6W
- GT 7
- GT 10
- GT 18W
- GT 15
- GT 8
- GT 9
- GT 25