

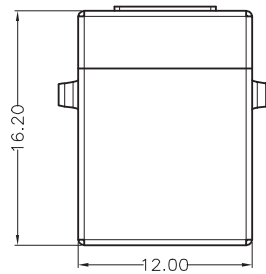
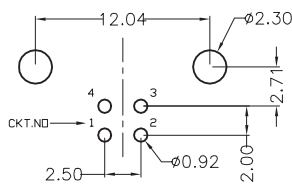
1

2

3

4

5



TECHNICAL CHARACTERISTICS

MATERIAL
 INSULATOR: PBT
 COLOR: WHITE
 CONTACT MATERIAL: COPPER ALLOYS
 CONTACT TYPE: STAMPED
 CONTACT PLATING: SELECTIVE GOLD
 SHIELDING: BRASS NI PLATED
 QUALITY CLASS: 1500 MATING CYCLES

ENVIRONMENTAL
 OPERATING TEMPERATURE: -40 UP TO 105°C
 FLAMABILITY RATING: UL94-V0
 COMPLIANCE: LEAD FREE AND ROHS

ELECTRICAL
 CURRENT RATING: 1A
 WORKING VOLTAGE: 30V
 INSULATOR RESISTANCE: >1000 MOHM
 DIELECTRIC WITHSTANDING VOLTAGE: 750V AC/MN
 CONTACT RESISTANCE: 20 mOHM MAX

STANDARD

CERTIFIED: E323964 / MODEL NUMBER 614/629-B

SOLDERING
 WAVE PROCESS ONLY

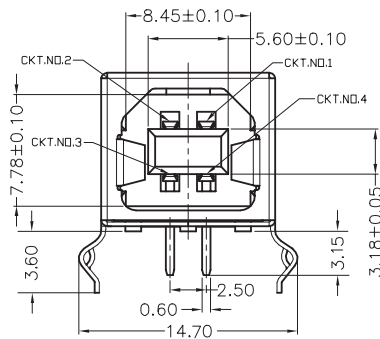
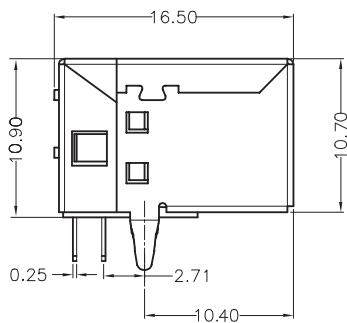
PACKAGING
 TRAY

A

B

C

D



RoHS Compliant

PROJECTION:



GENERAL TOLERANCE

.X = +/_ 0.2

.XX = +/_ 0.15



APPROVAL: RJ

UNIT: MM

DESCRIPTION: USB TYPE B

SIZE

SCALE:

SHEET: 1/2

WERI PART NO: 614 004 161 21

A4

DRAW: PEARL

REV	DATE	FILE	BY
I	22-MAR-2011	PIN LENGH	GG
H	17-JAN-2011	DIMENSION	GG