

NOTES:
ELECTRICAL

1. VOLTAGE RATING : 30 VDC RMS
2. CURRENT RATING : 0.5AMP MAX PER CONTACT
3. CONTACT RESISTANCE : 30 MILLIOHMS MAX.
4. INSULATION RESISTANCE : 1000 MEGOHMS MIN
5. WITHSTANDING VOLTAGE : 500 VAC RMS 60Hz , 1MIN
6. OPERATING LIFE : 10000 CYCLES MIN @ 500 VCD

MECHANICAL :

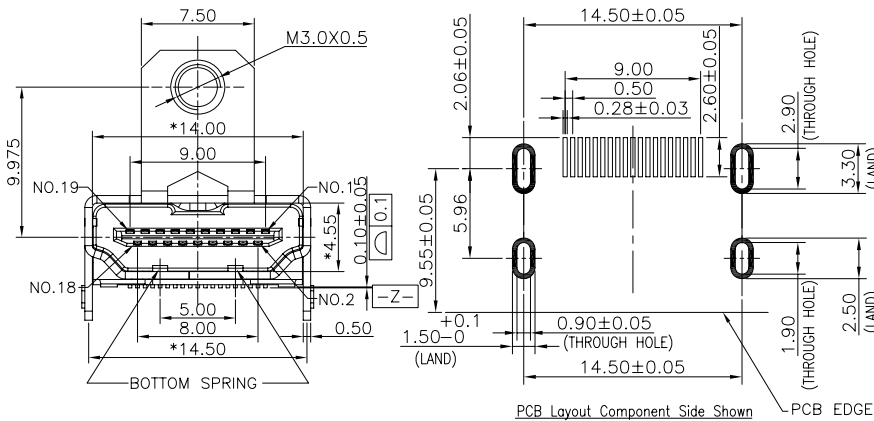
1. HOUSING MATERIAL : NYLON+30%GF UL94V-0.COLOR:BLACK.
2. CONTACT MATERIAL : PHOSPHOR BRONZE 0.20mm THICKNESS
3. PLATING : 1: CONTACT AREA - SELECTIVE GOLD PLATING
2: TAILS- 120U" MIN OVER NICKEL.
4. SHIELD MATERIAL : PHOSPHOR BRONZE 0.50mm THICKNESS
5. PLATING : PLATED NICKEL.

ENVIRONMENTAL:

1. STORAGE : -40°C TO +85°C
2. OPERATION : -40°C TO +85°C
3. IR REFLOW PEAK SOLDERING TEMPERATURE: 255°C TO 265°C(5-10 SECONDS).
4. RoHS COMPLIANT.
5. FRE OLD DRAWING NUMBER:GE813027-LA.

TABLE

ROHS PART NUMBER:	REV	HS'G MATERIAL	COLOR	UTP/STP TYPE	PIN NUMBER	PLATING Au
E810K-SAY203-L	A	NYLON+GF30%	BLACK	STP/DIP FEET TYPE	19 PINS	15U"
E810K-SAY204-L	A	NYLON+GF30%	BLACK	STP/DIP FEET TYPE	19 PINS	30U"



The drawing Can Only Supply To Customer

DETACHED LISTS TOLERANCES EXCEPT AS NOTED MM (INCH) .0 ± 0.2 ± .00 ± 0.15 ± .000 ± 0.075 ± ANGLES ± 0.5	RoHS Compliant		Pulse A TECHNITROL COMPANY	
	TITLE HDMI CONNECTOR WITH PANEL A TYPE			
DFTO Yumei DATE 02/14/2007 THIRD ANGLE PROJECTION	DRAWING NO. CE810K-SAY20X-L /PART NO. E810K-SAY20X-L	SCALE : 2.5:1 DO NOT SCALE DRAWING	SIZE A3 SHEET 1 OF 1	REV 0

8

7

6

5

4

3

2

1

H
G
F
E
D
C
B
A