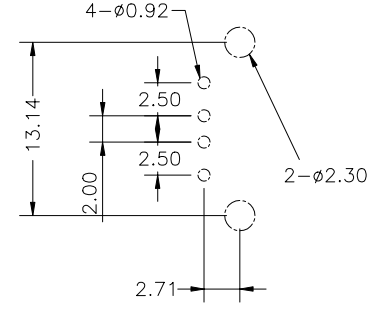
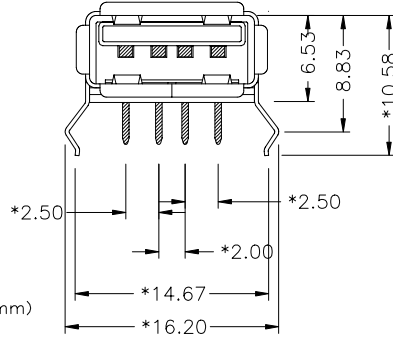
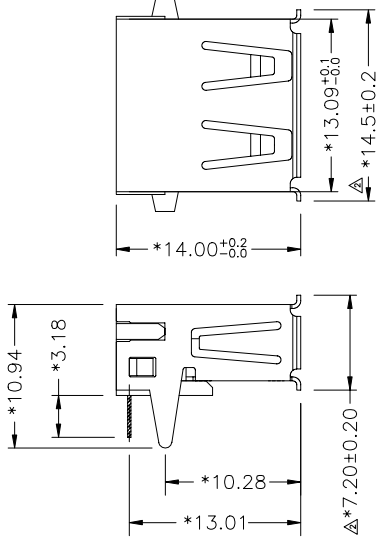


A1RFRD10

REVISION RECORD					
REV	ECO	DESCRIPTION	DRFT	CHKD	
1		ADD P/N			
		Drawing Modify	ANKUE		07/15/05
		Drawing Modify	ANKUE		12/28/05
			TERRY		08/02/04



NOTES:

- MATERIAL:
TERMINAL-C5191 PHOSPHOR BRONZE HARD. (t=0.25mm)
SHIELD-COPPER ALLOY OR PHOSPHOR BRONZE
HOUSING-NYLON+ 30% G.F.
- PLATING:
CONTACT-AREA-SELECTIVE PLATING. ON THE MATING END.
TAILS-PLATED TIN OVER NICKEL.
SHIELD-PLATED TIN OVER NICKEL.
OR PLATED NI OVER Cu.
- TOLERANCE: ±0.3mm.±3'.
- GAP: 0.25mm (Max.)
- ELECTRICAL:
VOLTAGE RATING: 30 VAC RMS.
CURRENT RATING: 1.0 AMP
CONTACT RESISTANCE: 30 MILLIOHMS MAX
INSULATION RESISTANCE: 1000 MEGOHMS MIN @500 VDC
DIELECTRIC STRENGTH: 750 VAC RMS 60 HZ, 1 MIN
OPERATING LIFE: 1500 CYCLES MIN
MATING FORCE: 3.5 KGS MAX
UNMATING FORCE: 1 KGS MIN
STORAGE: -40°C TO +85°C
OPERATION: -40°C TO +85°C
CAPACITANCE: 2 PF MAX 1KHZ
WAVE SOLDERING TEMPERATURE:255°C TO 265°C(5-10SECONDS)
RoHS COMPLIANT.

6.ROHS PART NUMBER: E8144-AXXX2X-L

0-COPPER ALLOY
1-PHOSPHOR BRONZE
1-NICKEL
2-TIN

1-Au3u" 2-Au6u"
3-Au15u" 4-Au30u"
5-Au50u" 7-Pd30u"
2-NATURAL COLOR
5-BLACK COLOR



7.ROHS PART NUMBER: E8144-AX1F2X-L

0-COPPER ALLOY
1-PHOSPHOR BRONZE
1F-NICKEL WHITE

1-Au3u" 2-Au6u"
3-Au15u" 4-Au30u"
5-Au50u" 7-Pd30u"



RoHS Compliant

FULL RISE ELECTRONIC CO., LTD

TITLE USB Series A,
4-Position Dip Type

MM (INCH)	DFTO ANKUE	DATE 7/22/05
TOLERANCES EXCEPT AS NOTED	CHKD SK	DATE 2006/8/2
	MFO	DATE
MM	APPLV ARTHUR	DATE 2006/8/2
∅ ±0.20		
.00 ±0.15		
0.00 ±0.075		
ANGLES ±	QTY :	
THIRD ANGLE PROJECTION	FINISH :	
	SCALE :	

DRAWING NO. GE813A01-LA	SIZE A3	REV 3
/PART NO. SEE NOTE		08/02/06
DO NOT SCALE DRAWING	SHEET 1	OF 1

8 | 7 | 6 | 5 | 4 | 3 | 2 | 1