

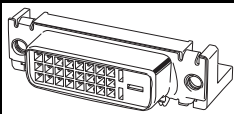
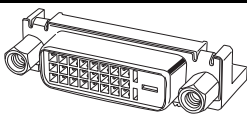
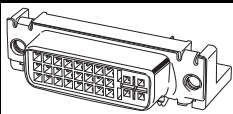
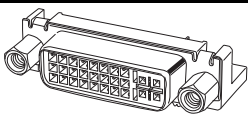
DVI Connectors XM4M

Transfer High-resolution Video Signals with Omron's DVI-compliant Digital Visual Interface Connectors.

- Used for both digital video (TMDS) and conventional analog (RGB) signals.
- Omron's DVI Connector is an analog interface capable of up to 2.5-GHz bandwidths.
- Transfers broadband data up to 9.9 GHz (dual link) to ensure full compatibility with advanced broadband applications.
- Shielded against EMI for high-speed data transfer.
- Digital and digital/analog models available.



Ordering Information

Type	Digital		Digital/Analog	
Accessories	No anchors	Inch screws, length = 5.8 mm	No anchors	Inch screws, length = 5.8 mm
Model	XM4M-2432-5012	XM4M-2432-1312	XM4M-2932-5012	XM4M-2932-1312
Appearance				

Note: The housing is black if the number 1 follows the model number.

■ Ratings and Characteristics

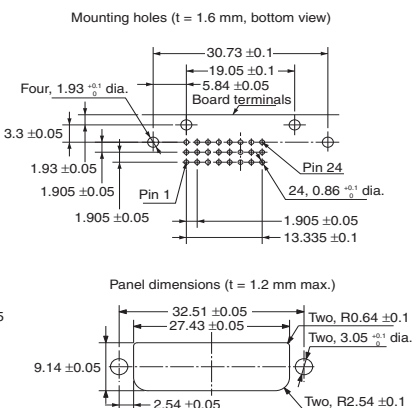
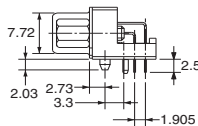
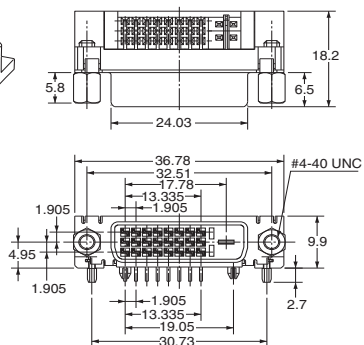
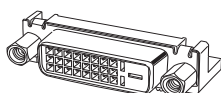
Type	Digital	Digital/Analog
Item		
No. of contacts	24	29
Terminals	Right-angle DIP	
Color	Black or natural	
Rated current	1.5 A	
Rated voltage	40 VAC	
Contact resistance	30 mΩ max. (at 20 mVDC, 100 mA max.)	
Insulation resistance	1,000 MΩ min. (at 500 VDC)	
Withstand voltage	500 VDC for 1 min. (leakage current: 1 mA max.)	
Ambient temperature	Operating: - 20°C to 85°C (with no icing or condensation) Storage: - 20°C to 85°C	

■ Materials and Finish

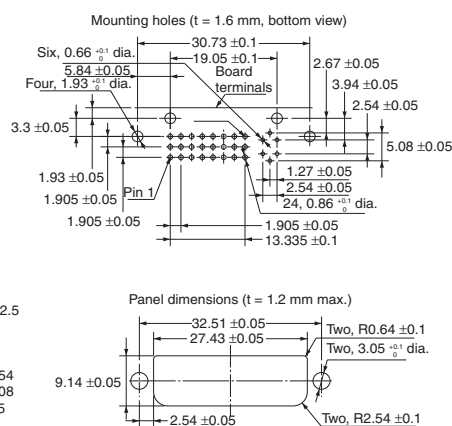
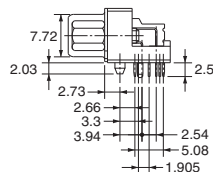
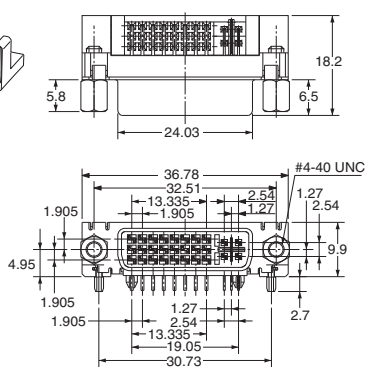
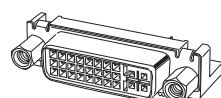
Housing	Fiber-glass reinforced PBT resin (UL94V-0)/black or natural	
Cover	Fiber-glass reinforced PBT resin (UL94V-0)/black or natural	
Contact	Mating end	Copper alloy/nickel base, 0.76-μm gold plating
	Terminal	Copper alloy/nickel base, tin plating
Shell	Copper/nickel plated	
Anchors	Brass/nickel plated	
Grounding Fixture	Copper alloy/nickel, tin plated	

Dimensions (Unit: mm)

XM4M-2432-1312



XM4M-2932-1312



■ Precautions

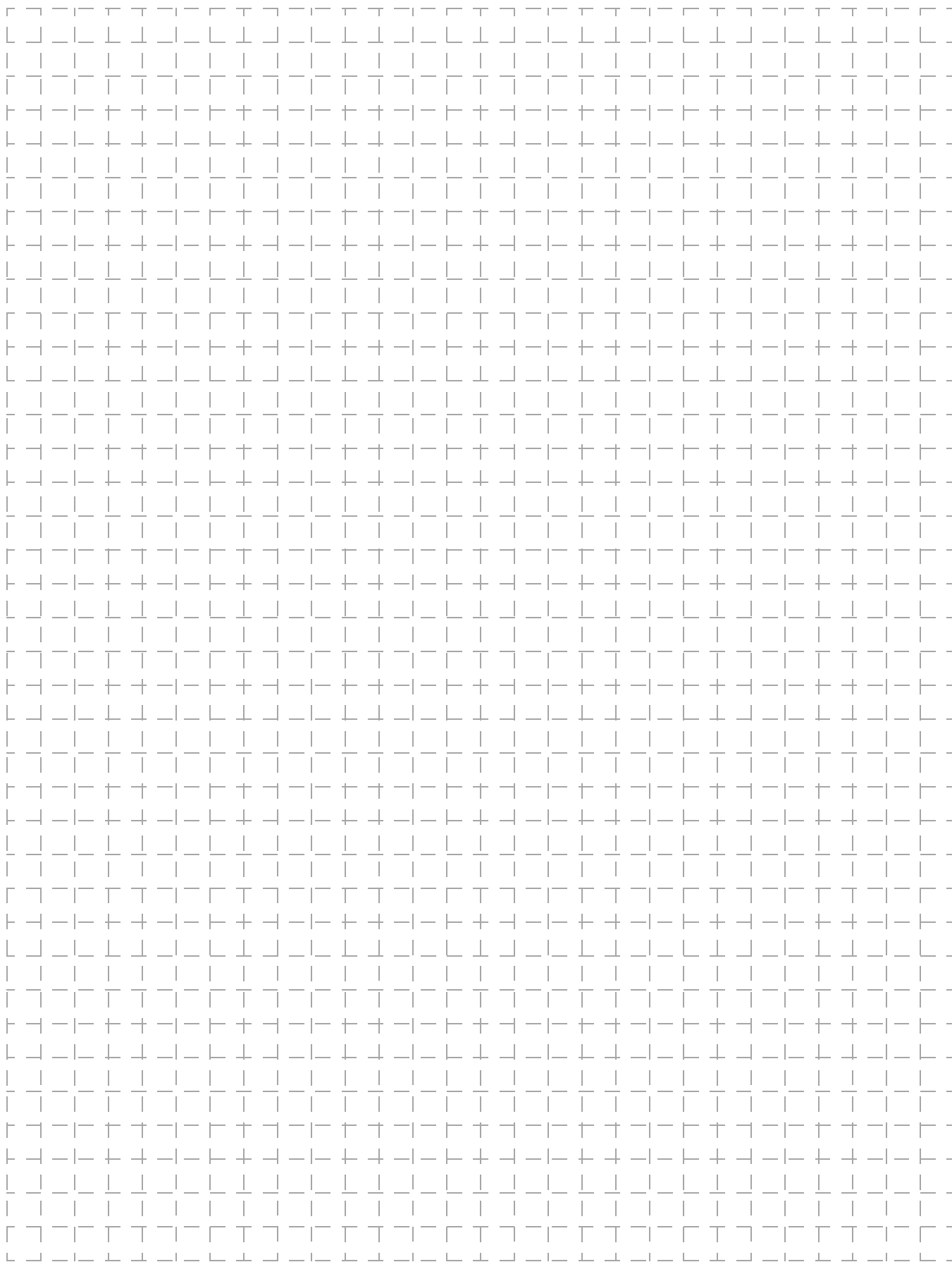
Automated Soldering

Soldering

Automated Soldering Conditions (Jet Flow)

1. Soldering temperature: 250 ± 5°C

Continuous soldering time: within 5 s



All sales are subject to Omron Electronic Components LLC standard terms and conditions of sale, which can be found at http://www.components.omron.com/components/web/webfiles.nsf/sales_terms.html

ALL DIMENSIONS SHOWN ARE IN MILLIMETERS.
To convert millimeters into inches, multiply by 0.03937. To convert grams into ounces, multiply by 0.03527.

OMRON[®]

**OMRON ELECTRONIC
COMPONENTS LLC**

55 E. Commerce Drive, Suite B
Schaumburg, IL 60173

847-882-2288

OMRON ON-LINE

Global - <http://www.omron.com>

USA - <http://www.components.omron.com>

Cat. No. G015-4M-E-01A1 11/10

Specifications subject to change without notice

Printed in USA