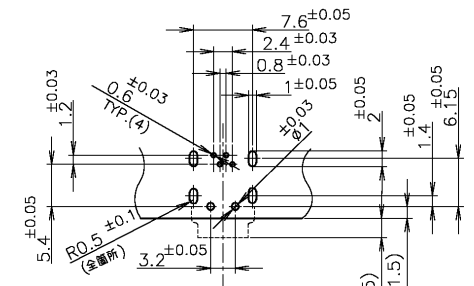
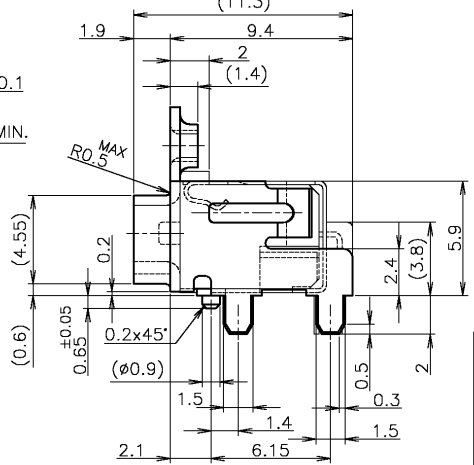
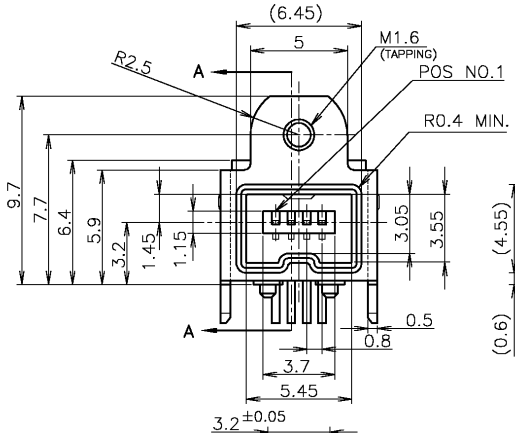
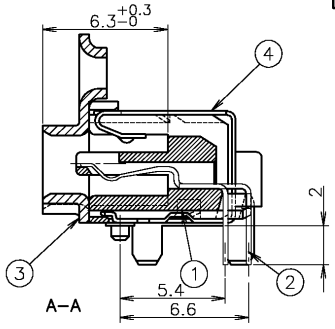
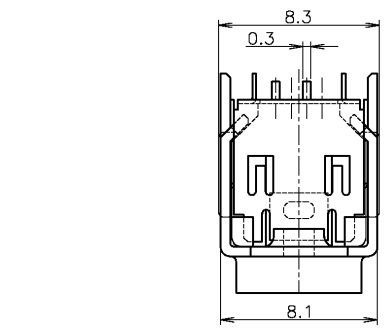


THIS DRAWING IS UNPUBLISHED. RELEASED FOR PUBLICATION JUL. 1996.  
 COPYRIGHT 1996 BY TYCO ELECTRONICS CORPORATION. ALL RIGHTS RESERVED.

LOC	DIST	REVISIONS			
P	LTR	DESCRIPTION	DATE	DWN	APVD
H		REVISED	FJB0-0366-03	15JAN04	J.T H.M



推奨基板レイアウト (SCALE 2:1) (0.8±0.1THK)

- ビス締め部推奨トルク: 19.6N・cm(2kgf・cm)
- M1.6 TAP; 19.6N・cm(2kgf・cm) MAX.

NO.	NAME	MATERIAL	FINISH
4	BACK SHELL	りん青銅 PHOS-BRO	TIN: 0.002mm
3	FRONT SHELL	黄銅 BRASS	TIN: 0.002mm
2	CONTACT	銅合金 COPPER ALLOY	Ni UNDER PLATING: 0.00127mm MIN. CONTACT AREA: Au 0.0003mm MIN. SOLDERING AREA: TIN 0.002mm
1	HOUSING	6T ナイロン (UL94V-0)	BLACK

鉛フリー  
LEAD FREE

THIS DRAWING IS A CONTROLLED DOCUMENT.

DIMENSIONS:	TOLERANCES UNLESS OTHERWISE SPECIFIED:
単位: 精	一般公差
MM	
0 PLC	± 0.3
1 PLC	± 0.3
2 PLC	± 0.3
3 PLC	± 0.3
4 PLC	± 0.3
ANGLES	± 3°

MATERIAL: SEE TABLE FINISH: 仕上

DWN: T.FUTATSUGI 17JUL96	Tyco Electronics AMP K.K.	
CHK: Y.YAMAMOTO 17JUL96	Kawasaki, Japan	
APVD: S.KUBOUCHI 10DEC98	NAME: REC HEADER 4POS DIP TYPE	RESTRICTED
PRODUCT SPEC: 製品規格	IEEE 1394 AV CONNECTOR (パネル取付タイプ)	
APPLICATION SPEC: 取付適用規格	SIZE: A3	CAGE CODE: 00779
WEIGHT:	DRAWING NO: 353388	REV: H
CUSTOMER DRAWING	SCALE: 5:1	SHEET: 1 OF 1

AMP 1470-19 REV 31MAR2000

04AUG03 9:00am fj010261

S:\AMP-Kawasaki\EC\CC\_CE\EN22\_CadData\AutoCAD\j019965\IEEE1394\_PB\_FREE\FJB0-0366-03\c-353388\_h.dwg