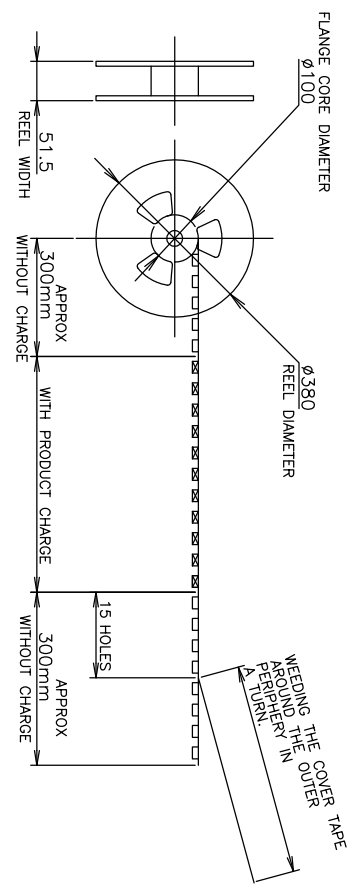
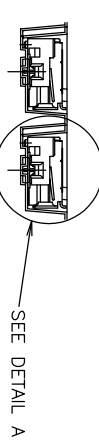
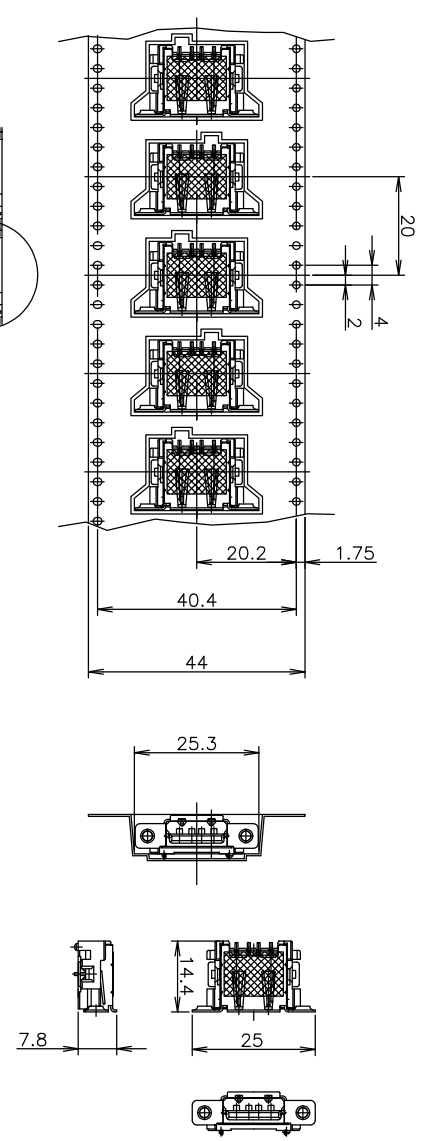
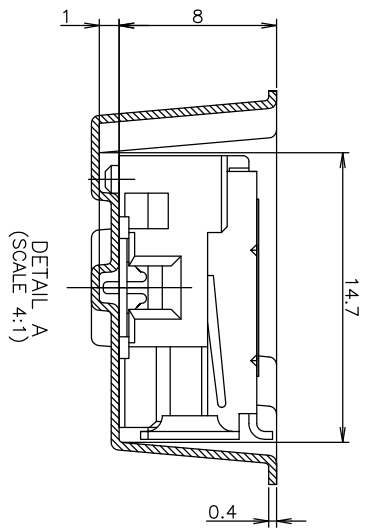


DIRECTION OFF TOP OF REEL



CONNECTOR DETAIL



REV	DESCRIPTION	DATE	DMN	APPD
1	RELEASED ECR-07-023898	090C107	T.Z	S.Y

DESCRIPTION	QTY	POS	EMBOSSED P/N	PART NO.
BLACK	350	4	1-912070-8	5353928-2
WHITE	350	4	1-912070-8	5353928-1

THIS DRAWING IS A CONTROLLED DOCUMENT.

DMN: G. ZHANG  
 CHK: S. YAO  
 APPD: J. QU  
 PRODUCT SPEC: 24MAB06  
 APPLICATION SPEC: 24MAB06

TOLEANCES: UNLESS OTHERWISE SPECIFIED:  
 0 PLG ±0.3  
 1 PLG ±0.3  
 2 PLG ±0.3  
 3 PLG ±0.3  
 4 PLG ±0.3  
 ANGLES ±5°

REVERSE TYPE USB CONN. REC. WITH COVER TYPE

SIZE: A3  
 CAGE CODE: 00779  
 DRAWING NO: 5353928

SCALE: 1:1 SHEET 1 OF 2 REV A

