

4

3

2

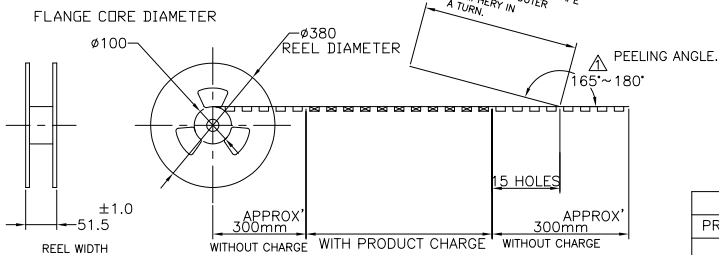
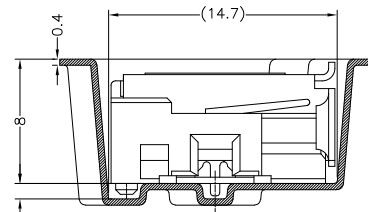
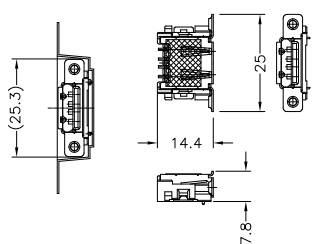
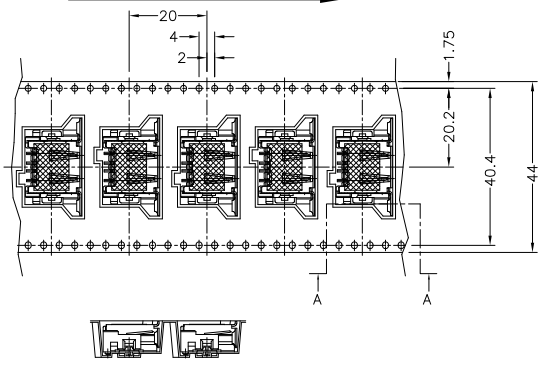
1

THIS DRAWING IS UNPUBLISHED. RELEASED FOR PUBLICATION
 © COPYRIGHT BY TYCO ELECTRONICS CORPORATION. ALL RIGHTS RESERVED.

LOC ES DIST 00

| REVISED | | REVISIONS | | | |
|---------|-----|---------------------------|---------|------|------|
| P | LTR | DESCRIPTION | DATE | DWN | APVD |
| 0 | | RELEASED FB00-0145-04 | 08JUL04 | G.Z. | I.E. |
| 01 | | REVISED PER ECO-10-000444 | 16JAN10 | KK | AEG |

DIRECTION OFF TOP OF REEL



5353929-1, Δ

Notes
 1. PRELIMINARY PRODUCT DOES NOT BE PROMISED MANUFACTURE POSITELY.
 Δ OBSOLETE PARTS: OBSOLETE CIS STREAMLINING PER D.RENAUD/D.SINISI

| PRODUCING | BLACK | 350 | 4 | 1-6674429-2 | 5353929-6 |
|--------------------------------|---------------|-----|-----|-------------|-------------------------------|
| PRELIMINARY NOT FOR PRODUCTION | WHITE | 350 | 4 | 1-6674429-1 | Δ 5353929-5 |
| PRODUCING | BLACK | 350 | 4 | 1-5353583-4 | 5353929-4 |
| PRELIMINARY NOT FOR PRODUCTION | WHITE | 350 | 4 | 1-5353583-3 | Δ 5353929-3 |
| PRELIMINARY NOT FOR PRODUCTION | BLACK | 350 | 4 | 1-5353583-2 | Δ 5353929-2 |
| PRODUCING | WHITE | 350 | 4 | 1-5353583-1 | 5353929-1 |
| TOOLING STATUS | HOUSING COLOR | QTY | POS | CONN. P/N | PART NO. |

| | | | | |
|--|--|------------------------|---|--------------|
| THIS DRAWING IS A CONTROLLED DOCUMENT. | | DWN J. JIANG 23MAR04 | Tyco Electronics Corporation Shanghai, P.R.China, 200233 | |
| DIMENSIONS: MM | | CHK S. YAO 23MAR04 | Tyco Electronics | |
| TOLERANCES UNLESS OTHERWISE SPECIFIED: | | APVD T. SASAKI 23MAR04 | NAME | |
| 0 PLC ± 0.3 | | PRODUCT SPEC | | |
| 1 PLC ± | | 108-5563 | | |
| 2 PLC ± | | APPLICATION SPEC | | |
| 3 PLC ± | | SIZE A3 | | |
| 4 PLC ± | | CAGE CODE 00779 | | |
| ANGLES ± 5' | | DRAWING NO C-5353929 | | |
| FINISH | | RESTRICTED TO | | |
| MATERIAL | | CUSTOMER DRAWING | | |
| | | SCALE 1:1 | | SHEET 1 OF 3 |
| | | | | REV 01 |

AMP 1470-19 REV 31MAR2000

27SEP2001 7:30pm FB001075 L:\EN22_CadData_AutoCAD\j033763_sasa\USB\C-353929_c.dwg

4

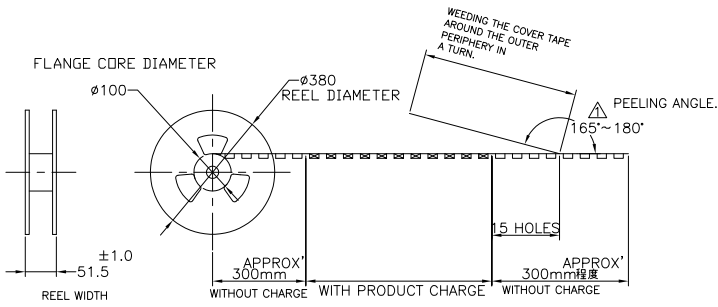
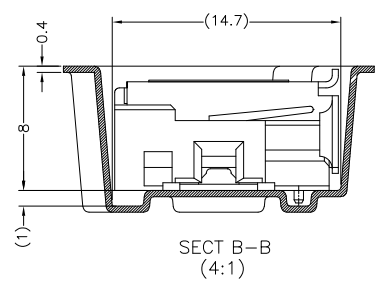
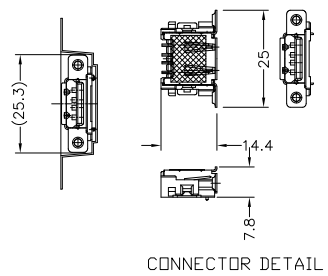
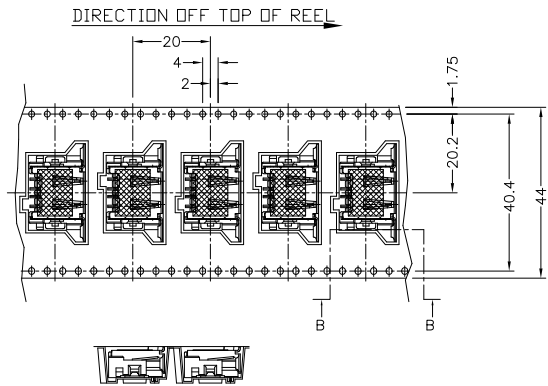
3

2

1

THIS DRAWING IS UNPUBLISHED. RELEASED FOR PUBLICATION
 © COPYRIGHT - BY TYCO ELECTRONICS CORPORATION. ALL RIGHTS RESERVED.

| | | | | | |
|-----|------|-------------|------|-----|------|
| LOC | DIST | REVISIONS | | | |
| ES | 00 | REV | DATE | DWN | APVD |
| | | SEE SHEET 1 | | | |



5353929-3,4

| | | | | |
|--|--|------------------|---|---------------|
| THIS DRAWING IS A CONTROLLED DOCUMENT. | | DWN | Tyco Electronics Corporation Shanghai, P.R.China, 200233 | |
| DIMENSIONS: | TOLERANCES UNLESS OTHERWISE SPECIFIED: | CHK | NAME | |
| MM | 0 PLC ± 0.3 | APVD | EMBOSS ASSY | |
| | 1 PLC ± | PRODUCT SPEC | STD TYPE USB CONN. REC. WITH COVER TYPE | |
| | 2 PLC ± | APPLICATION SPEC | SIZE | RESTRICTED TO |
| | 3 PLC ± | WEIGHT | A3 | — |
| | 4 PLC ± | CUSTOMER DRAWING | 00779 | 5353929 |
| MATERIAL | FINISH | DRAWING NO | | SCALE |
| | | | | 1:1 |
| | | | | SHEET |
| | | | | 2 |
| | | | | OF |
| | | | | 3 |
| | | | | REV |
| | | | | 01 |

4

3

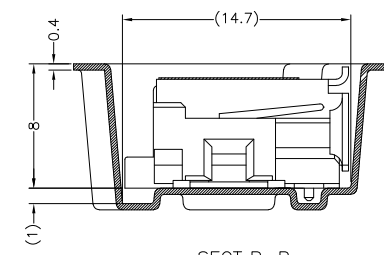
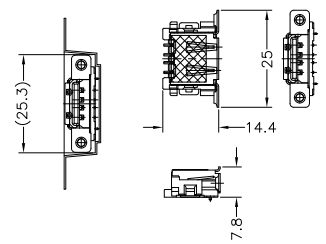
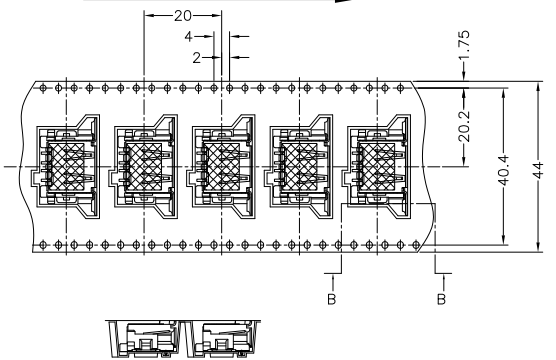
2

1

THIS DRAWING IS UNPUBLISHED. RELEASED FOR PUBLICATION
 © COPYRIGHT BY TYCO ELECTRONICS CORPORATION. ALL RIGHTS RESERVED.

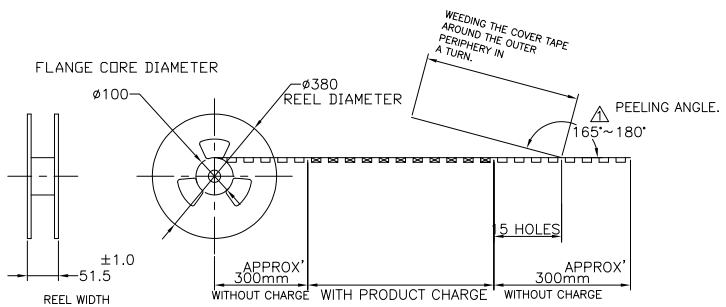
| LOC | DIST | REVISIONS | | | | | |
|-----|------|-----------|-----|-------------|------|-----|------|
| ES | 00 | P | LTR | DESCRIPTION | DATE | DWN | APVD |
| | | | | SEE SHEET 1 | | | |

DIRECTION OFF TOP OF REEL



CONNECTOR DETAIL

SECT B-B (4:1)



5353929-5,6

| | | | | |
|--|--|------------------|---|---------------|
| THIS DRAWING IS A CONTROLLED DOCUMENT. | | DWN | Tyco Electronics Corporation Shanghai, P.R.China, 200233 | |
| DIMENSIONS: | TOLERANCES UNLESS OTHERWISE SPECIFIED: | CHK | NAME | |
| MM | 0 PLC ± 0.3 | APVD | EMBOSS ASSY | |
| | 1 PLC ± | PRODUCT SPEC | STD TYPE USB CONN. REC. WITH COVER TYPE | |
| | 2 PLC ± | APPLICATION SPEC | SIZE | RESTRICTED TO |
| | 3 PLC ± | WEIGHT | A3 | — |
| | 4 PLC ± | CUSTOMER DRAWING | 00779 | 5353929 |
| MATERIAL | FINISH | DRAWING NO | | SCALE |
| | | | | 1:1 |
| | | | | SHEET |
| | | | | 3 of 3 |
| | | | | REV |
| | | | | 01 |

AMP 1470-19 REV 31MAR2000

27SEP2001 7:30pm FB001075 H:\DMTEC\Checkout\353929-c.dwg