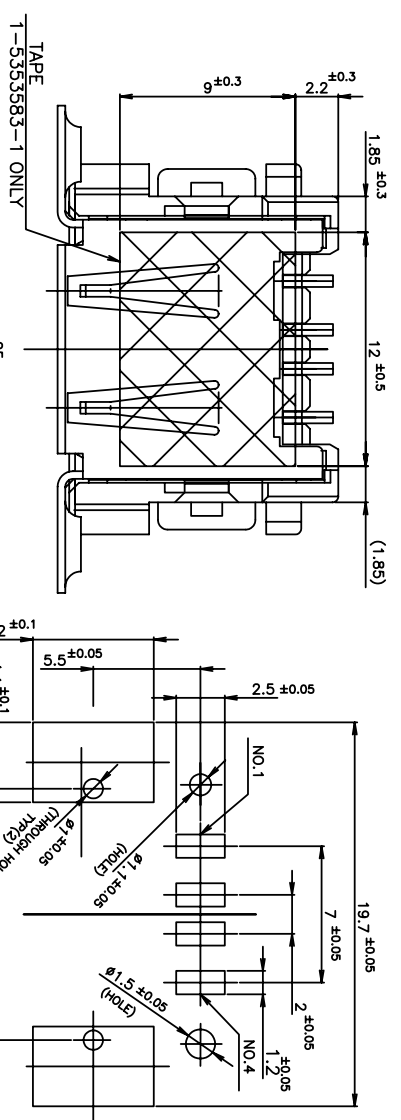


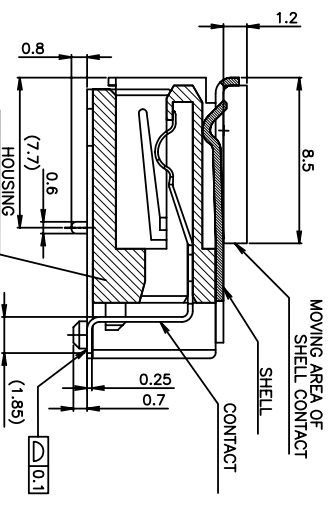
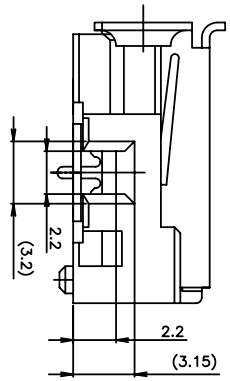
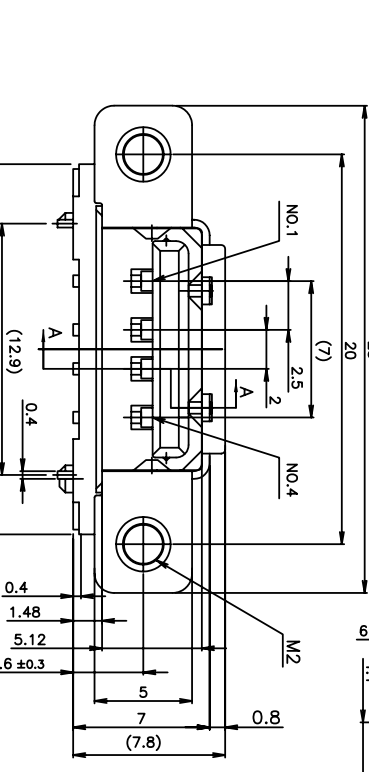
THIS DRAWING IS UNPUBLISHED.
 RELEASED FOR PUBLICATION
 BY TICO ELECTRONICS CORPORATION.
 ALL RIGHTS RESERVED.

LOC: ES 00
 DIST: P LTR
 REVISED FB00-0215-04

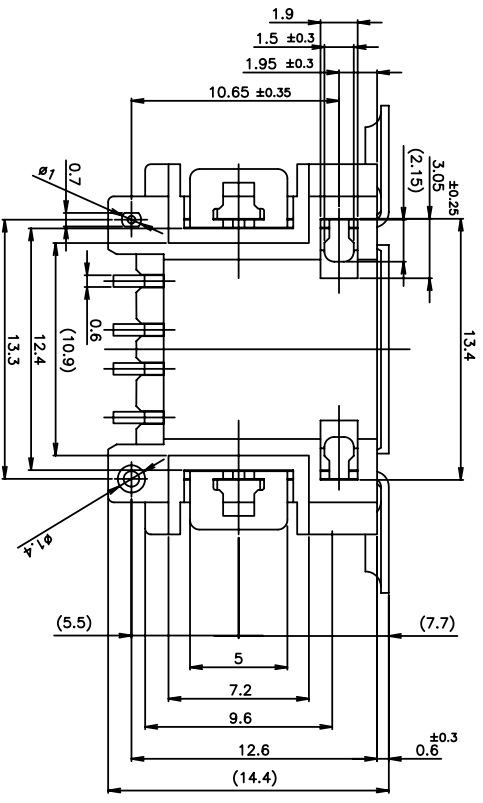
REV. #	DESCRIPTION	DATE	DMN	APP'D
7				
6				
5				
4				
3				
2				
1				



NOTES
 MATERIAL & FINISH
 CONTACT: COPPER ALLOY
 AU PL. ON Pd-Ni PL. AT CONTACT AREA OVER Ni PL.
 MATTE TIN PL. AT TINE AREA OVER Ni PL.
 HOUSING: THERMO-PLASTICS, UL94V-0
 SHELL: COPPER ALLOY, TIN PL.
 2 GENERAL TOLERANCE
 10 ±0.2
 30 ±0.15
 100 ±0.25
 150 ±0.3
 ANGLES: 45°
 3. MATERIAL/PARTS WHICH ARE CONTAINED THE PROHIBITION
 STANDARD EN-022 (ENVIRONMENT RELATED SUBSTANCE)
 MUST NOT USE IN PRODUCT AND MANUFACTURING PROCESS
 4. CADMIUM CONTENT: 5ppm UNDER



SECTION A-A
 5353583-1, 2



WITH TAPE	WITHOUT TAPE	WITH TAPE	WITHOUT TAPE
BLACK	BLACK	WHITE	WHITE
1-5353583-4	1-5353583-4	BLACK	BLACK
5353583-4	5353583-4	WHITE	WHITE
5353583-3	5353583-3	BLACK	BLACK
5353583-2	5353583-2	WHITE	WHITE
1-5353583-1	1-5353583-1	WHITE	WHITE
5353583-1	5353583-1		

REMARKS	PART NO.
WITH TAPE	5353583-4
WITHOUT TAPE	5353583-4
PRELIMINARY NOT FOR PRODUCTION	5353583-3
PRELIMINARY NOT FOR PRODUCTION	5353583-2
WITH TAPE	1-5353583-1
WITHOUT TAPE	5353583-1

THIS DRAWING IS A CONTROLLED DOCUMENT.		DATE		DMN		APP'D	
DIMENSIONS: MM		16DEC04		G.Z. I.E.			
TOLERANCES UNLESS OTHERWISE SPECIFIED:							
0 P.L.C.							
1 P.L.C.							
2 P.L.C.							
3 P.L.C.							
ANGLES							
FINISH							
MATERIAL							

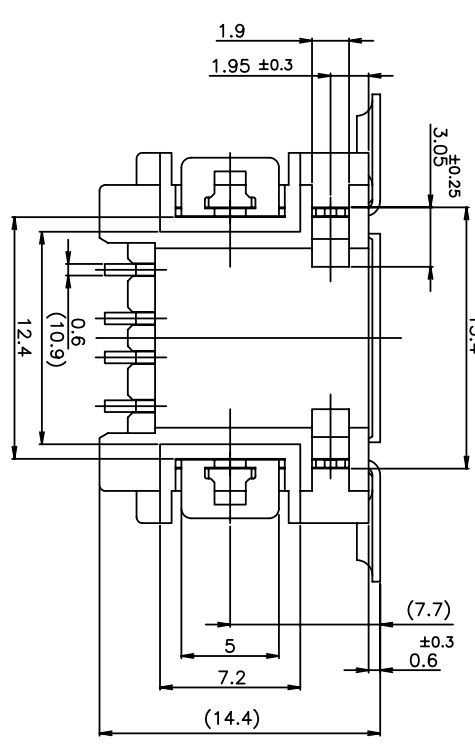
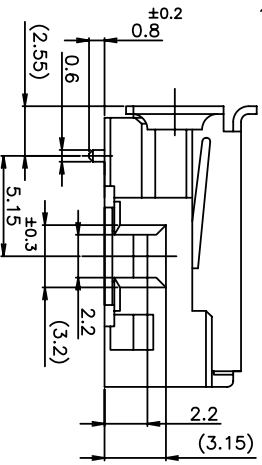
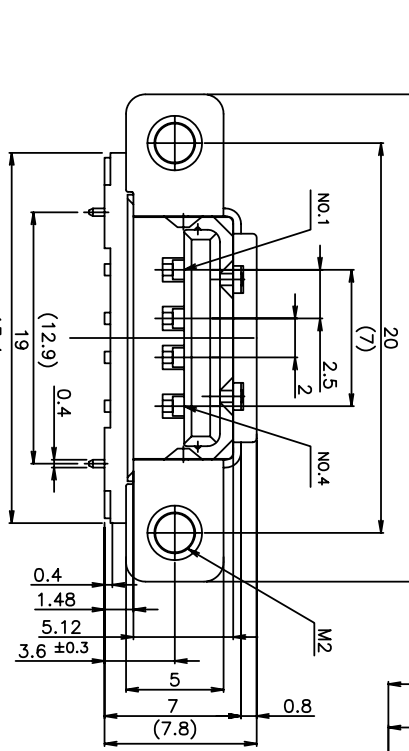
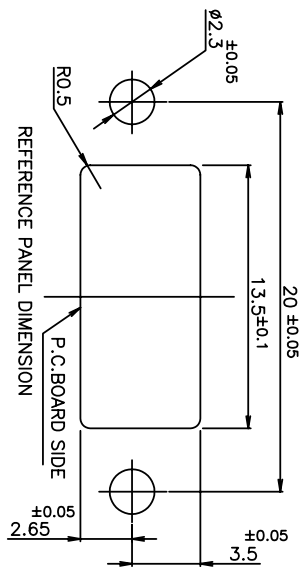
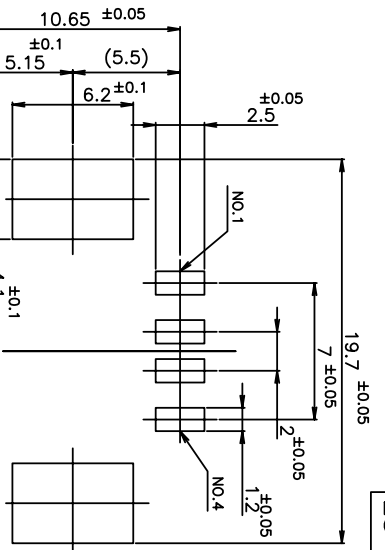
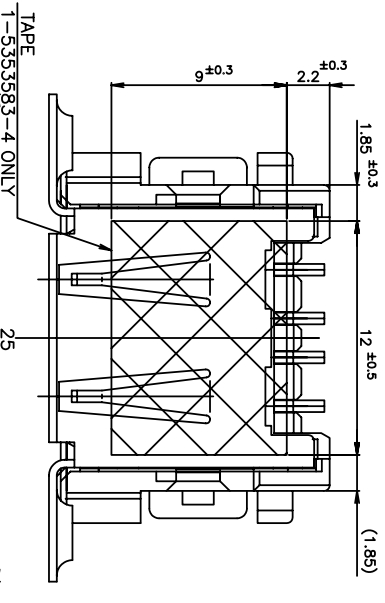
THIS DRAWING IS UNPUBLISHED.
 COPYRIGHT BY TICO ELECTRONICS CORPORATION. ALL RIGHTS RESERVED.

RELEASED FOR PUBLICATION

LOC ES
 DIST 00

REV	DATE	BY	APP'D
1			

P	LTR	DESCRIPTION	DATE	BY	APP'D
1		SEE SHEET 1			



MATERIAL & FINISH

- 1. CONTACT: COPPER ALLOY
 AU PL. ON Pd-NI PL. AT CONTACT AREA OVER NI PL.
 MATTE TIN PL. AT TINE AREA OVER NI PL.
 HOUSING-THERMO-PLASTICS: UL94V-0
- 2. SHELL: COPPER ALLOY/TIN PL.
 GENERAL TOLERANCE
 10±: ±0.2
 30± >10: ±0.25
 100± >30: ±0.3
 ANGLES: ±5°
- 3. MATERIAL/PARTS WHICH ARE CONTAINED THE PROHIBITION SUBSTANCE FOR ENVIRONMENTAL RELATED SUBSTANCE CONTROL STANDARD EN-022 (ENVIRONMENT RELATED SUBSTANCE) MUST NOT USE IN PRODUCT AND MANUFACTURING PROCESS
- 4. CADMIUM CONTENT: 5ppm UNDER

5353583-3,4

THIS DRAWING IS A CONTROLLED DOCUMENT.		DWG		
DIMENSIONS: MM		CHK		
TOLERANCES UNLESS OTHERWISE SPECIFIED		AP'D		
0 PLC	±	PRODUCT SPEC		
1 PLC	±	APPLICATION SPEC		
2 PLC	±	WEIGHT		
3 PLC	±	CUSTOMER DRAWING		
ANGLES	±	SIZE		
FINISH	±	A3		
		00779		
		5353583		
		SCALE	4:1	
		SHEET	2 OF 2	
		REV	A	

tyco
Electronics
 Tyco Electronics Corporation
 Shanghai, P.R.China, 200233

RECEPTACLE ASSY R/A SMT
 STANDARD TYPE USB CONNECTOR