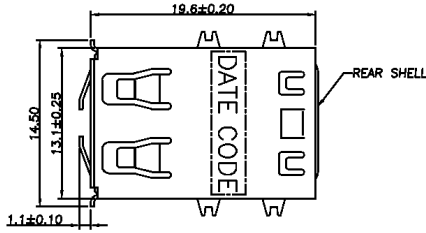
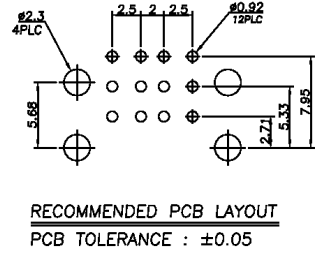
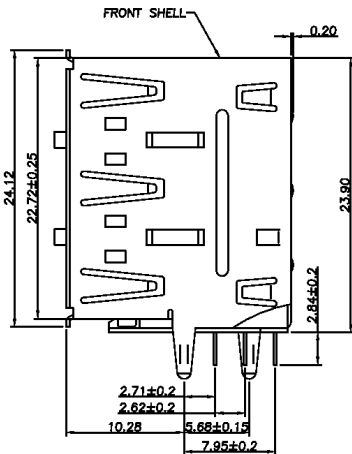
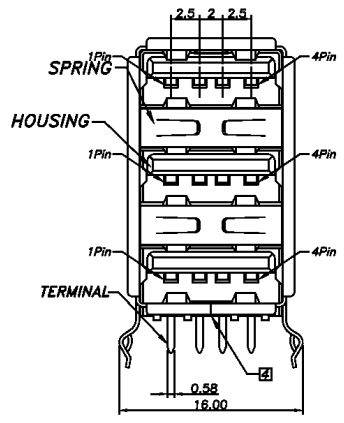


THIS DRAWING IS UNPUBLISHED. RELEASED FOR PUBLICATION AUG 2008.
 © COPYRIGHT BY TYCO ELECTRONICS CORPORATION. ALL RIGHTS RESERVED.

LDC		REVISIONS			
P	DIR	DESCRIPTION	DATE	DM	APPD
B		REVISED (ECR-09-008206)	14APR09	SC	WK
B1		REVISED PER ECO-10-000444	18FEB10	KK	HMR



- NOTES :
- MATERIAL :
 HOUSING : THERMOPLASTIC, UL 94V-0, COLOR: SEE TABLE.
 CONTACT : PHOSPHOR BRONZE, (t=0.25mm).
 FRONT SHELL & SPRING : BRASS, (t=0.30mm).
 REAR SHELL : SPCC (t=0.30mm).
 - FINISH :
 CONTACT : GOLD PLATED(SEE TABLE) ON CONTACT AREA, 100u" MIN. TIN PLATED ON SOLDERTAILS, 50u" MIN. NICKEL UNDERPLATED ALL OVER.
 FRONT SHELL : 40u" MIN. NICKEL PLATED OVER 50u" MIN. CU UNDERPLATED ALL OVER.
 REAR SHELL : 100u" MIN. NICKEL PLATED OVER 100u" MIN. CU UNDERPLATED ALL OVER.
 - TOLERANCE : ±0.30mm.
 □ GAP.0.25mm(MAX.)
 △ OBSOLETE PARTS: OBSOLETE CIS STREAMLINING PER PER D.RENAUD/D.SINISI



30μ"	BLACK	1734181-6
	WHITE	1734181-5
5μ"	BLACK	1734181-4
	WHITE	1734181-3
GOLD FLASH	BLACK	1734181-2
	WHITE	1734181-1
MIN. GOLD THICKNESS	HSG. COLOR	PART NUMBER

THIS DRAWING IS A CONTROLLED DOCUMENT.

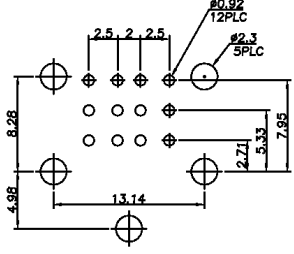
DM: S. CHIEN	14APR2008	Tyco Electronics Corporation Taipei, Taiwan
OK: S. CHIEN	14APR2009	
APVD: W. KODAMA	14APR2009	
PRODUCT SPEC: 108-57113		RCPT. ASS'Y TRIPLE STACKED USB, R/A, A TYPE.
QUALIFICATION TEST REPORT: 501-57061		SIZE: A3
WEIGHT: - GRAMS		CAGE CODE: 00779
CUSTOMER DRAWING		DRAWING NO: C=1734181

RESTRICTED TO

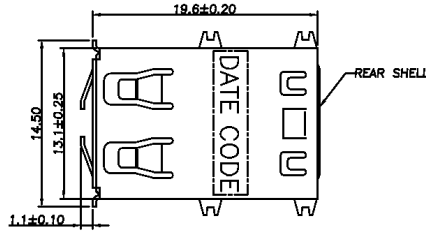
SCALE: - SHEET: 1 of 3 REV: B1

THIS DRAWING IS UNPUBLISHED. RELEASED FOR PUBLICATION AUG 2008.
 © COPYRIGHT BY TYCO ELECTRONICS CORPORATION. ALL RIGHTS RESERVED.

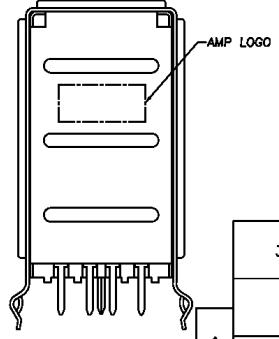
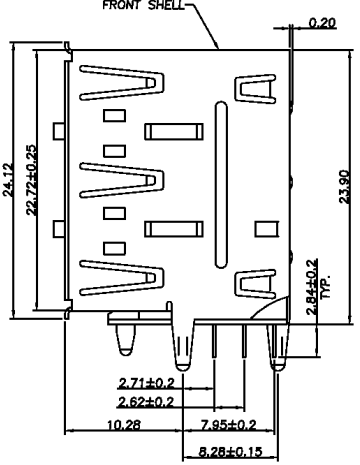
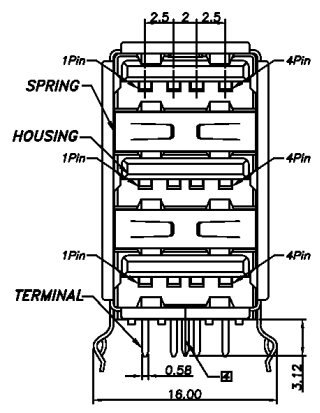
LDC	DIST	REVISIONS			
P	LR	DESCRIPTION	DATE	DM	APVD
		SEE SHEET 1.			



RECOMMENDED PCB LAYOUT
 PCB TOLERANCE : ±0.05



- NOTES :
- MATERIAL :
 HOUSING : THERMOPLASTIC, UL 94V-0, COLOR: SEE TABLE.
 CONTACT : PHOSPHOR BRONZE, (t=0.25mm).
 FRONT SHELL & SPRING : BRASS, (t=0.30mm).
 REAR SHELL : SPCC (t=0.30mm).
 - FINISH :
 CONTACT : GOLD PLATED(SEE TABLE) ON CONTACT AREA, 100u" MIN. TIN PLATED ON SOLDER TAILS, 50u" MIN. NICKEL UNDERPLATED ALL OVER.
 FRONT SHELL: 40u" MIN. NICKEL PLATED OVER 50u" MIN. CU UNDERPLATED ALL OVER.
 REAR SHELL: 100u" MIN. NICKEL PLATED OVER 100u" MIN. CU UNDERPLATED ALL OVER.
 - TOLERANCE : ±0.30mm.
 [Symbol] GAP:0.25mm(MAX.)
 [Symbol] OBSOLETE PARTS: OBSOLETE CIS STREAMLINING PER PER D.RENAUD/D.SINISI



30μ"	BLACK	1-1734181-2
	WHITE	1-1734181-1
5μ"	BLACK	1-1734181-0
	WHITE	1734181-9
[Symbol] GOLD FLASH	BLACK	1734181-8
	WHITE	1734181-7
[Symbol] MIN. GOLD THICKNESS	HSG. COLOR	PART NUMBER

THIS DRAWING IS A CONTROLLED DOCUMENT.

DIMENSIONS: MM	TOLERANCES UNLESS OTHERWISE SPECIFIED:	0 PLC ±	1 PLC ±	2 PLC ±	3 PLC ±	4 PLC ±	AMP'S ±
MATERIAL	FINISH	Tyco Electronics Corporation Taipei, Taiwan RCPT. ASS'Y TRIPLE STACKED USB, R/A, A TYPE. SIZE: A3 CAGE CODE: 00779 DRAWING NO: 1734181 CUSTOMER DRAWING					

RESTRICTED TO

SCALE: SHEET 2 of 3 REV B1

4

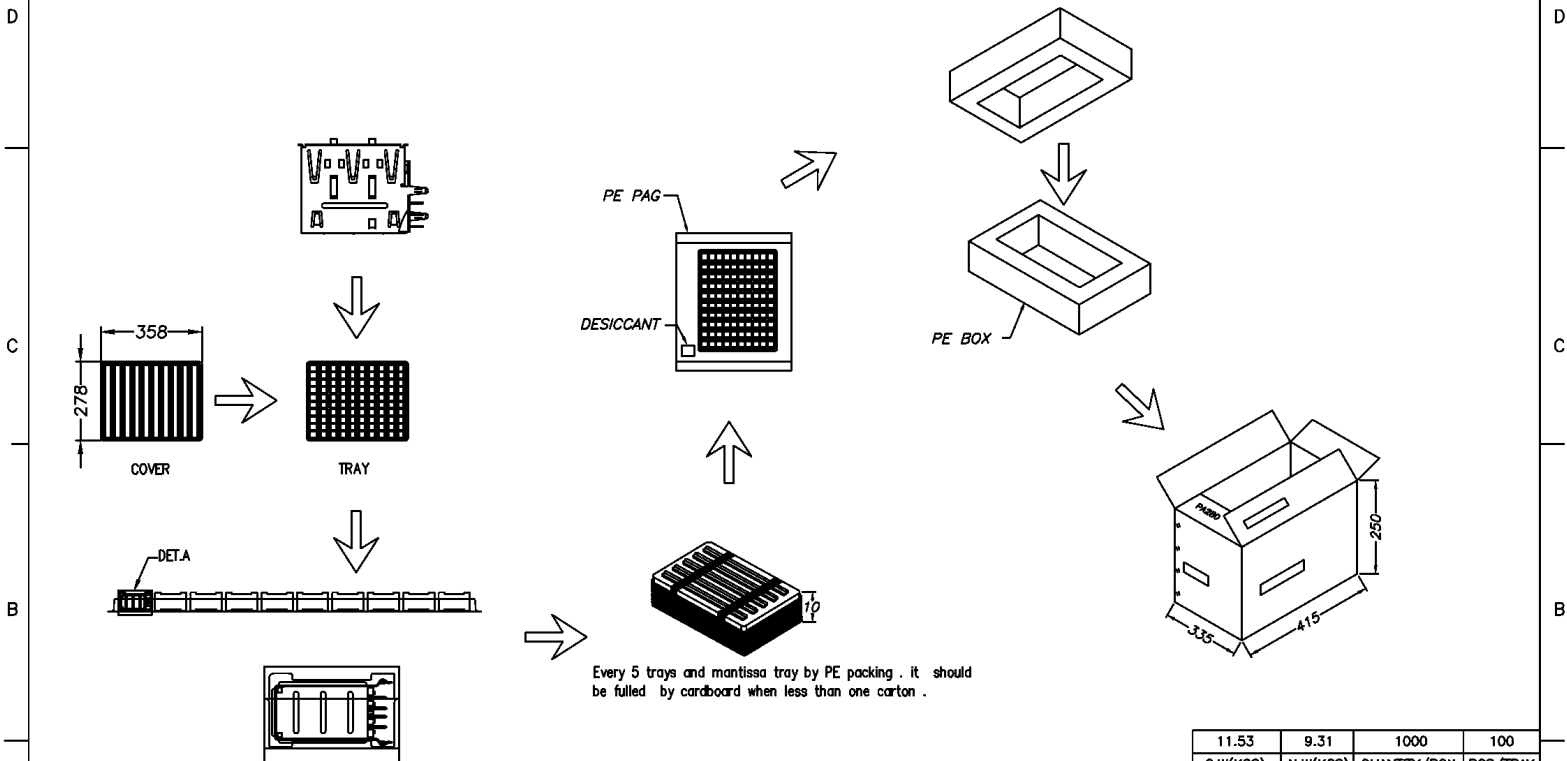
3

2

1

THIS DRAWING IS UNPUBLISHED. RELEASED FOR PUBLICATION AUG 2008.
 © COPYRIGHT BY TYCO ELECTRONICS CORPORATION. ALL RIGHTS RESERVED.

LOC	DIST	REVISIONS			
P	LTR	DESCRIPTION	DATE	DWG	APPD
		SEE SHEET 1.			



Every 5 trays and mantissa tray by PE packing . it should be filled by cardboard when less than one carton .

11.53	9.31	1000	100
G.W(KGS)	N.W(KGS)	QUANTITY/BOX	PCS/TRAY

THIS DRAWING IS A CONTROLLED DOCUMENT.		DWG	Tyco Electronics Corporation Taipei, Taiwan	
DIMENSIONS: MM		OK	NAME	
TOLERANCES UNLESS OTHERWISE SPECIFIED:		APVD	RCPT. ASS'Y TRIPLE STACKED USB, R/A, A TYPE.	
0 PLC ±		PRODUCT SPEC	SIZE	
1 PLC ±		APPLICATION SPEC	CAGE CODE	
2 PLC ±		WEIGHT	DRAWING NO	
3 PLC ±		CUSTOMER DRAWING	A3 00779 ©=1734181	
4 PLC ±		SCALE	RESTRICTED TO	
ANGLES ±		SHEET	3 of 3	
MATERIAL		REV	B1	
FINISH				

AMP 1470-10 REV 31 MAR 2000