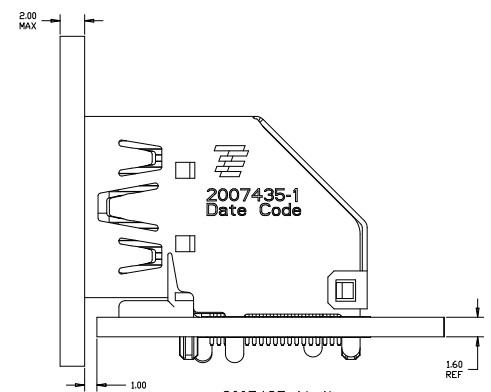
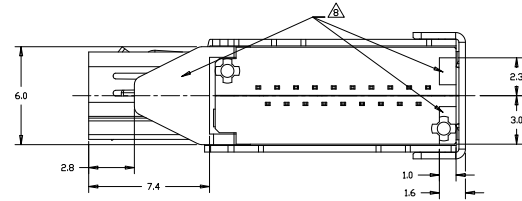
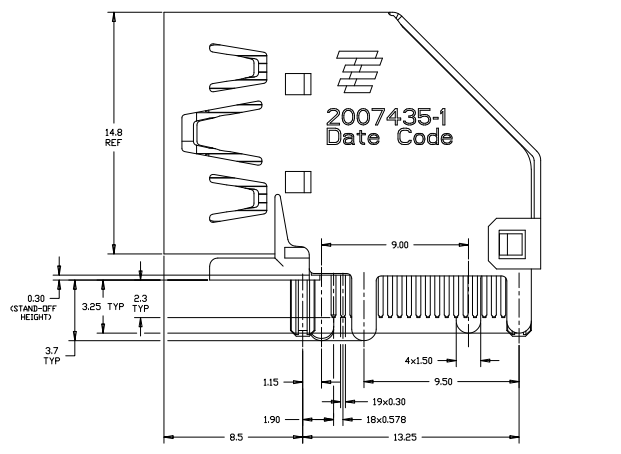
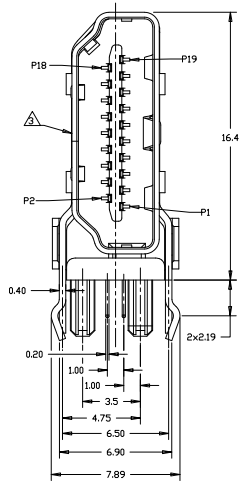
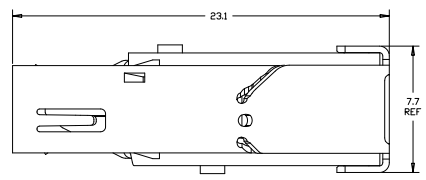


2007435-1(-4)
 SCALE 6:1



2007435-1(-4)
 INSTALLED CONDITION
 SCALE 6:1

REV	DATE	DESCRIPTION	BY	CHK	APP
A2		RELEASE PER ECR-09-062616			FL SY
B		RELEASE PER ECR-09-062616			FL SY
C		RELEASE PER ECR-10-024987			FL SY

MATERIALS:
 HOUSING: HIGH TEMP THERMOPLASTIC, UL94V-0, BLACK, PBT.
 CONTACTS: COPPER ALLOY.
 SHIELD: STAINLESS STEEL.

FINISH:
 CONTACTS
 MATING AREA: CONFORMS TO HDMI SPECIFICATION VERSION 1.3a, TABLE 4-6 AND 4-7 (ELECTRICAL AND ENVIRONMENTAL PERFORMANCE), BASED ON EIA/ECA - 364-1000.01A (CONTROLLED ENVIRONMENT APPLICATIONS).
 SOLDER TAILS: TIN OVER NICKEL.

INTERFACE DIMENSIONS PER HDMI SPECIFICATION VERSION 1.3a:
 4. WAVE SOLDER COMPATIBLE PER 109-202, CONDITION B.
 NO CLEAN FLUX IS RECOMMENDED.

THIS DIMENSION HAS AN ADDITIONAL 1.0 CLEARANCE OVER HDMI V1.3a SPECIFICATION MAXIMUM CABLE TYPE A PLUG HEIGHT.

REMOVE CAP IS RECOMMENDED AFTER WAVE SOLDER.

MATERIALS:
 HOUSING: HIGH TEMP THERMOPLASTIC, UL94V-0, BLACK, LCP.
 CONTACTS: COPPER ALLOY.
 SHIELD: STAINLESS STEEL.
 STAND-OFF AREA.

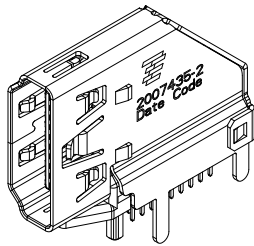
EMBOSS TAPE	WITH POLYIMIDE TAPE	WITHOUT KINK AND WITHOUT CAP	0.38 μm	2.00	2007435-6
		WITH KINK AND WITH CAP	0.38 μm	1.60	2007435-5
		WITHOUT KINK AND WITHOUT CAP	0.76 μm	1.60	2007435-4
		WITH KINK AND WITH CAP	0.38 μm	1.60	2007435-3
		WITHOUT KINK AND WITHOUT CAP	0.38 μm	2.40	2007435-2
		WITH KINK AND WITH CAP	0.38 μm	1.60	2007435-1

PACKAGE	REMARK	SOLDER PLATING ON CONTACT AREA	MATERIAL	PCB THICKNESS	PART NO.

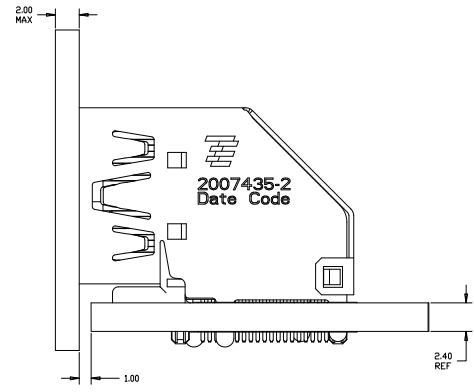
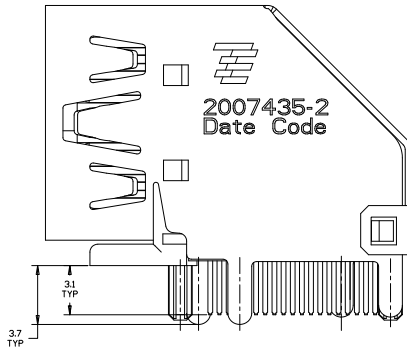
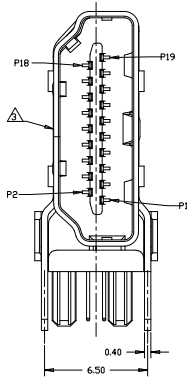
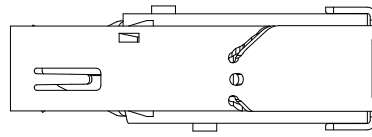
THIS DRAWING IS A CONTROLLED DOCUMENT.
 THIS DRAWING IS UNPUBLISHED.
 ALL RIGHTS RESERVED.

TE Connectivity
 HDM FLAG CONNECTOR ASSEMBLY

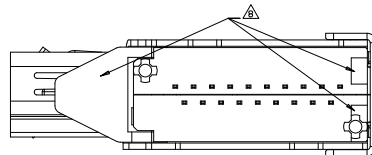
DATE: 10/07/09
 DRAWING NO: 2007435
 CUSTOMER DRAWING



2007435-2 WITHOUT BOARD LOCK,
UNMARKED DIMENSIONS SAME AS 2007435-1
SCALE 6:1



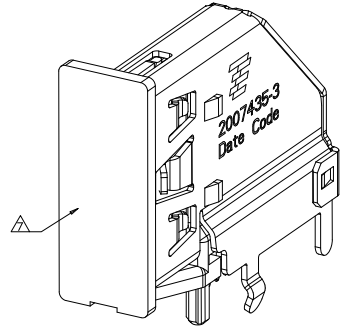
2007435-2
INSTALLED CONDITION
SCALE 6:1



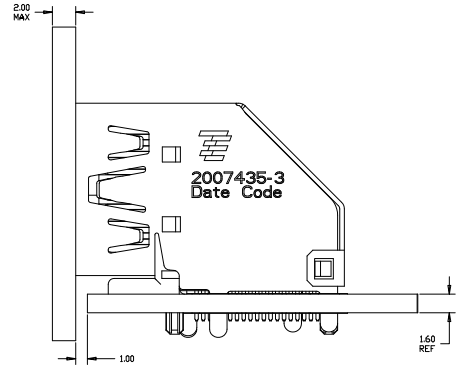
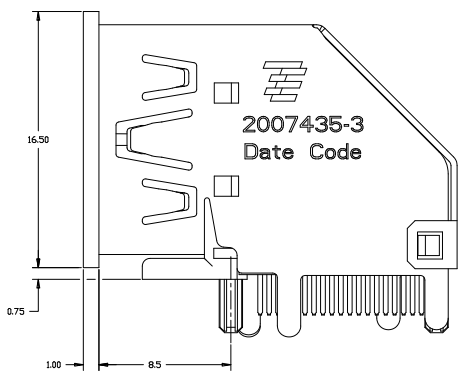
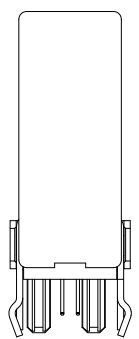
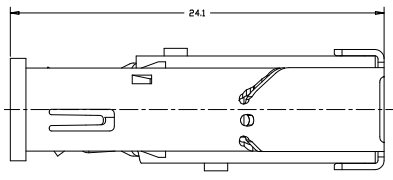
THIS DRAWING IS A CONTROLLED DOCUMENT.		TE Connectivity
DIMENSIONS: mm UNLESS OTHERWISE SPECIFIED		108-60079 HDM FLAG CONNECTOR ASSEMBLY
PREPARED BY: [Signature] CHECKED BY: [Signature] APPROVED BY: [Signature]	DATE: 10/27/09 DRAWING NO: 108-60079	REVISED TO: [Signature] DATE: [Signature] DRAWING NO: 108-60079
SEE TABLE	CUSTOMER DRAWING	PART: 8.1 SHEET: 2 OF 7 C

THIS DRAWING IS UNPUBLISHED
 ALL RIGHTS RESERVED

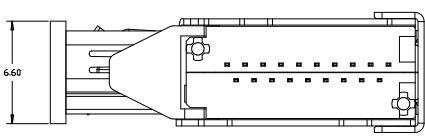
REVISONS		DATE	BY	APP'D
1	SEE SHEET 1	-	-	-



2007435-3(-5) WITH CAP, UNMARKED
 DIMENSIONS SAME AS 2007435-1
 SCALE 6:1



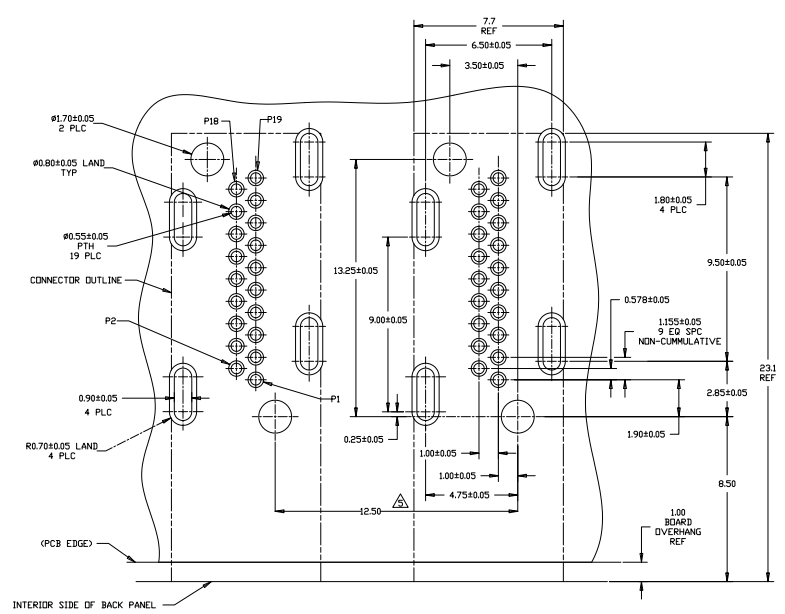
2007435-3(-5)
 INSTALLED CONDITION
 (ONLY FOR AFTER REMOVE CAP)
 SCALE 6:1



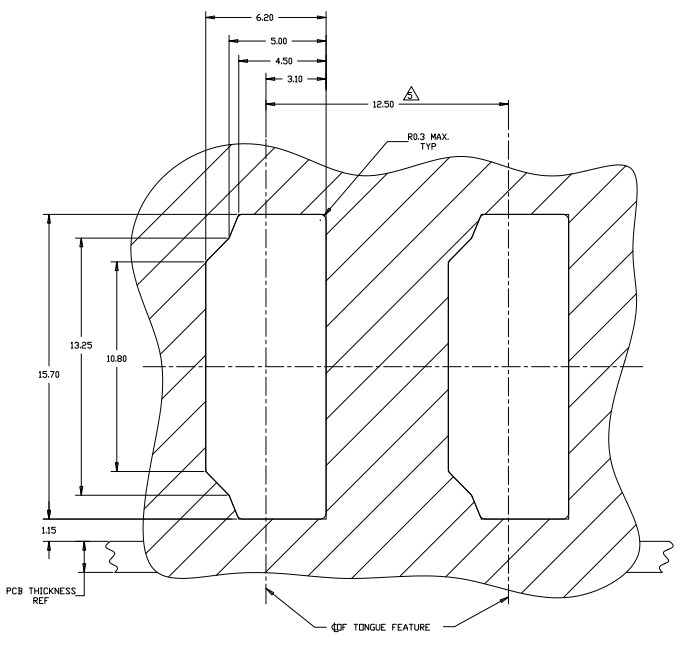
THIS DRAWING IS A CONTROLLED DOCUMENT.		SPECIFIC LINE DRAWING PART NO. 2007435-3 REV. 1.0 DATE 08/11/08	TE Connectivity HDMI FLAG CONNECTOR ASSEMBLY
DIMENSIONS: mm UNLESS OTHERWISE SPECIFIED DECIMALS: 0.1, 0.25, 0.5, 1.0, 2.0, 3.0, 4.0, 5.0, 6.0, 8.0, 10.0 ANGLES: 30°, 45°, 60°, 90°, 120°, 150° TOLERANCES: SEE TABLE	APPROVED BY: [Signature] CHECKED BY: [Signature] DRAWN BY: [Signature]	SIZE: A1 DATE: 08/11/08 DRAWING NO.: 2007435	REVISIONS: 1 REF: C
CUSTOMER DRAWING		SHEET: 8.1 OF 3	

488-12410

REVISES		DATE	BY	APP'D
1	SEE SHEET 1	-	-	-



PCB LAYOUT
SCALE 10:1

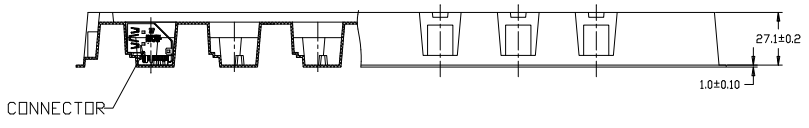
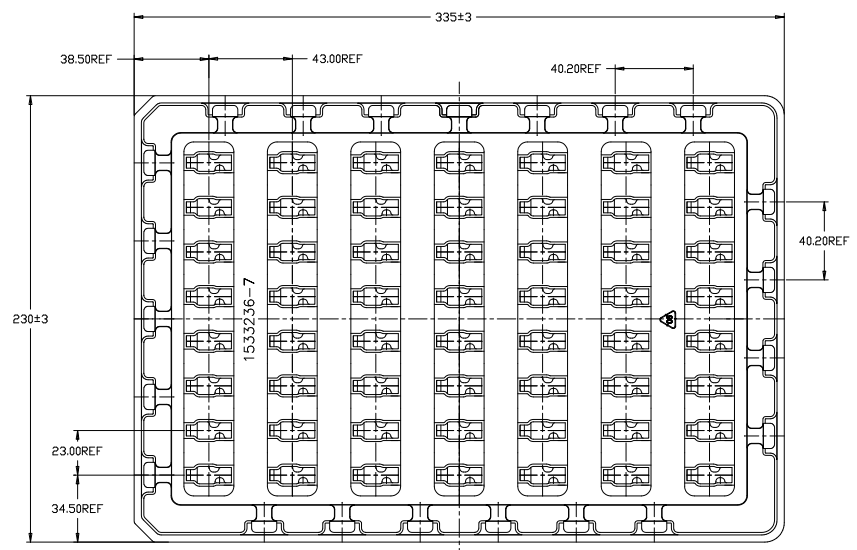


RECOMMENDED PANEL CUTOUT
SCALE 10:1

THIS DRAWING IS A CONTROLLED DOCUMENT.		108-60079 108-60079 108-60079 108-60079 108-60079	TE Connectivity HDM FLAG CONNECTOR ASSEMBLY
DIMENSIONS: mm UNLESS OTHERWISE SPECIFIED	DATE: 10/20/11 DRAWING NO: 108-60079 REV: 1	SIZE: A1 DATE: 10/20/11 DRAWING NO: 108-60079 REV: 1	CUSTOMER DRAWING 108-60079 108-60079

THIS DRAWING IS UNPUBLISHED
 ALL RIGHTS RESERVED

REVISIONS			
REV	DATE	DESCRIPTION	BY
1		SEE SHEET 1	

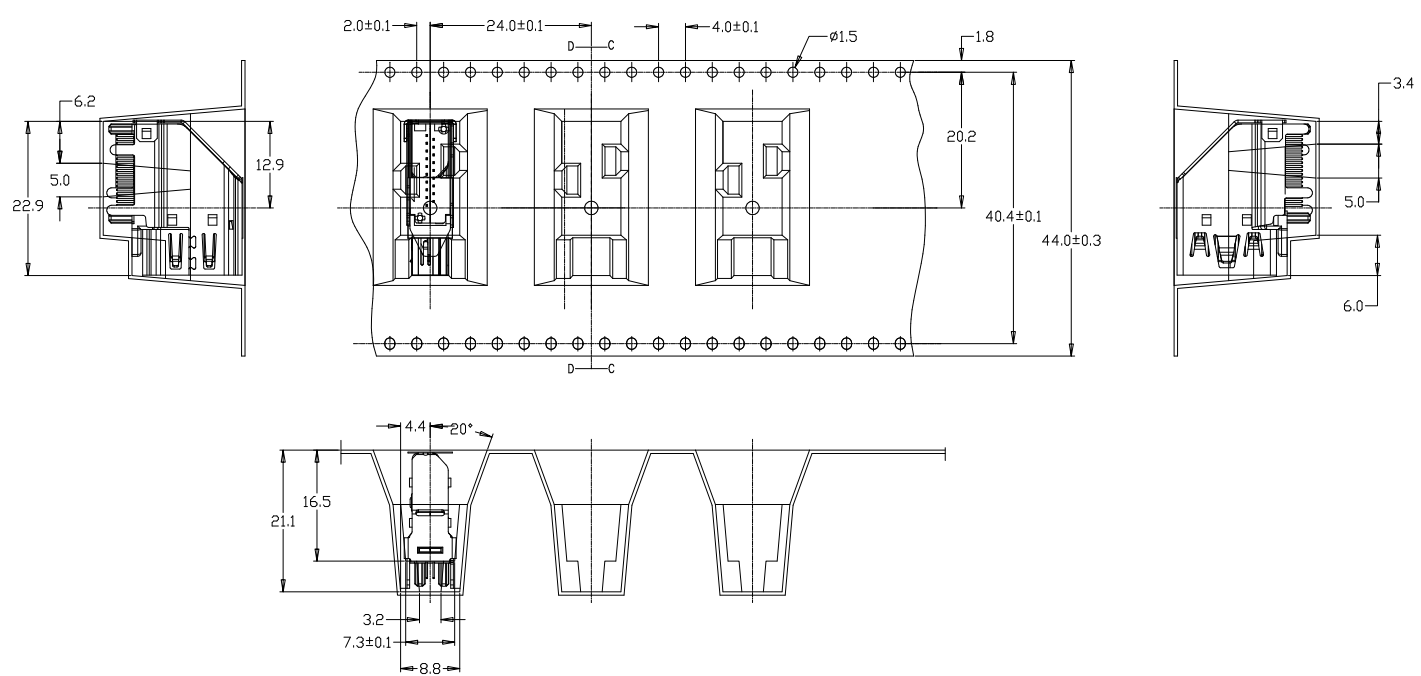


PACKAGE TRAY
 FOR PART NUMBER
 2007435-1,-2,-3,-4,-5

THIS DRAWING IS A CONTROLLED DOCUMENT.		REV: 1	DATE: 01/01/2010	BY: [Signature]
DRAWING TITLE: PACKAGE TRAY FOR PART NUMBER 2007435-1,-2,-3,-4,-5		REV: 1	DATE: 01/01/2010	BY: [Signature]
DRAWING NUMBER: A100779		REV: 1	DATE: 01/01/2010	BY: [Signature]
CUSTOMER DRAWING		REV: N/A	DATE: 01/01/2010	BY: [Signature]

THIS DRAWING IS UNPUBLISHED
 ALL RIGHTS RESERVED

REVISES		DATE	BY	APP'D
1	SEE SHEET 1	-	-	-



EMBOSS TAPE
 FOR PART NUMBER 2007435-6

THIS DRAWING IS A CONTROLLED DOCUMENT.		DATE	ISSUE	BY	APP'D
DRAWING NO.		DATE	ISSUE	BY	APP'D
REVISIONS		DATE	ISSUE	BY	APP'D
DESCRIPTION		DATE	ISSUE	BY	APP'D
DRAWN BY		DATE	ISSUE	BY	APP'D
CHECKED BY		DATE	ISSUE	BY	APP'D
APPROVED BY		DATE	ISSUE	BY	APP'D
CUSTOMER DRAWING		DATE	ISSUE	BY	APP'D



PACKAGE TRAY
 HDMI FLAG
 CONNECTOR ASSEMBLY

SIZE: A1
 DATE: 00779
 ISSUE: 7