

4

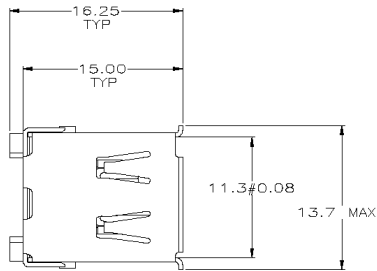
3

2

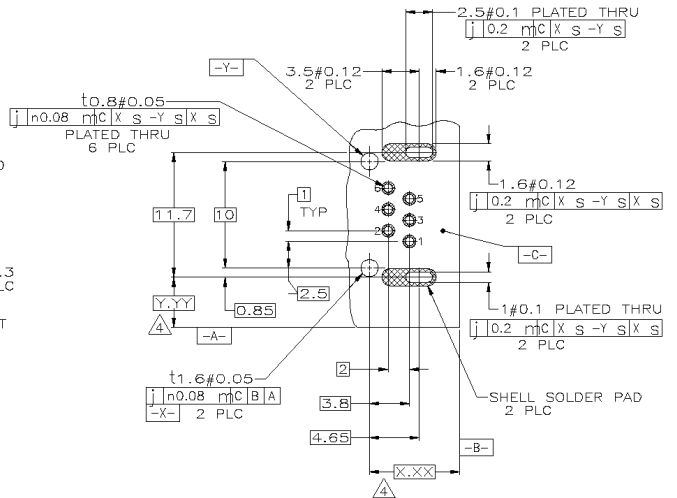
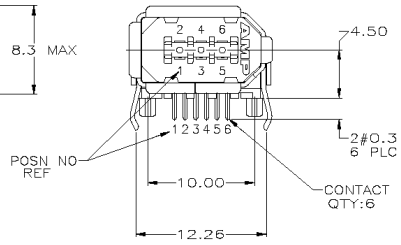
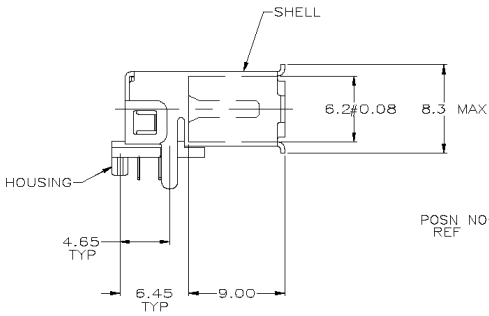
1

THIS DRAWING IS UNPUBLISHED. RELEASED FOR PUBLICATION
 © COPYRIGHT BY TYCO ELECTRONICS CORPORATION. ALL RIGHTS RESERVED.

REV	DATE	DESCRIPTION	BY	APP'D
A	23MAY05	RELEASED ECR-05-004095	G.Z.	Y.S.



- ⚠ 0.076[m] MIN GOLD OVER 0.76[m] MIN PALLADIUM-NICKEL OR (0.76[m] MIN GOLD) FOR A LENGTH OF 2 MIN ON MATING FACE END, 3.81[m] MIN TIN FOR A LENGTH OF 2.2 MIN ON OPPOSITE END, ALL OVER
- ⚠ 1.27[m] MIN NICKEL.
- ⚠ 5.08[m] MIN TIN.
- ⚠ LCP, BLACK, UL 94V-0 RATED.
- ⚠ DIMENSION TO BE ESTABLISHED BY CUSTOMER, X.XX BSC TO BE 8.45 MIN.



RECOMMENDED PWB LAYOUT
CONNECTOR SIDE

5788516-1
PART NO

THIS DRAWING IS A CONTROLLED DOCUMENT		DESIGNER: GAVIN ZHANG	DATE: 23MAY05	BY: STEVEN YAO	DATE: 23MAY05	NAME: STEVEN YAO	PRODUCT: SOCKET ASSEMBLY, RIGHT ANGLE FLAT, THRU HOLE, IEEE P1394	SIZE: A2	DATE CODE: 00779	DRAWING NO: 5788516	RESTRICTED TO: CUSTOMER DRAWING
DIMENSIONS: mm		TOLERANCES UNLESS OTHERWISE SPECIFIED:		FRONT VIEW		MATERIAL: CONTACTS: BRASS; SHELL: PWB: BRONZE; HOUSING: LCP		SCALE: 4:1		SHEET 1 OF 1	

AMP 1471-B REV 21MAR2000

F:\All_Guys\Gavin_Zhang\1394_TB00\5788516\C-5788518.dwg

5788516

A